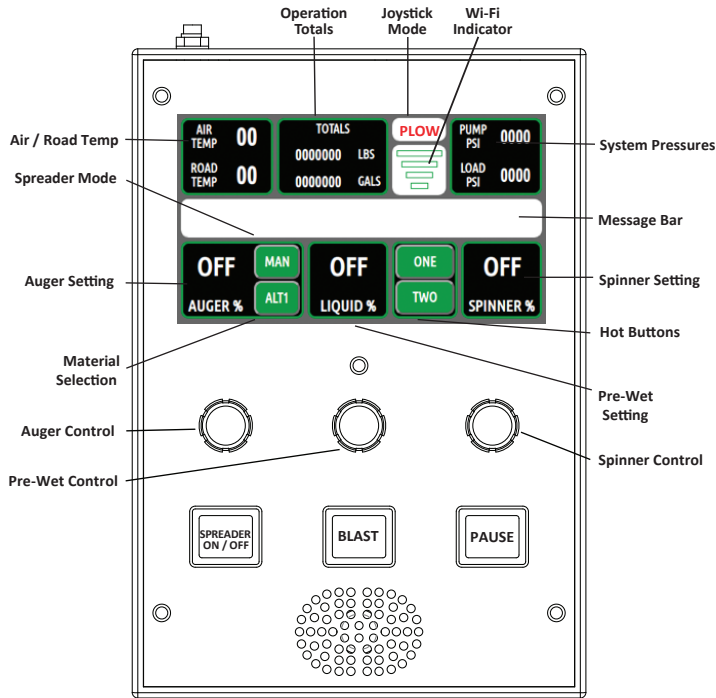




ADVANTAGE PLUS

SPREADER CONTROL



Press the Auger or Spinner rotary knobs to cycle screens

Functionality:

Air and Road Temp – Temperatures will be displayed if the vehicle is equipped with an IR temperature sensor.

Operation Totals – Material and Liquid usage will be totaled in this box. Simply tap the box to reset.

Joystick Mode – This indicates the piece of equipment the joystick is currently controlling.

Material Selection - Toggle the product selection button to change granular materials.

System Pressures – The load and pump pressure are displayed for diagnostic purposes

Message Bar – Error messages are displayed upon the message bar. To clear these, simply press the message box.

Spinner Rate – Turn the Spinner control to increase or decrease the rate (0-100%).

Wi-Fi – This indicates the strength of the Wi-Fi connection.

Hot Buttons – If applicable, buttons may be populated in this location to control auxiliary pieces of equipment.

Liquid Rate – Turn the control to increase or decrease the liquid rate.

Auger Rate – Turn the control to adjust the auger rate.

Spreader Mode – toggle to change between Manual or Auto mode.

Initiating the Hydraulic System:

1. Start Ignition to power controller
2. (If installed) Engage PTO to initiate Hydraulics
3. Actuate appropriate function

Hydraulic System Shutdown:

1. Disengage the PTO
2. Turn the Ignition off
3. Controller will automatically power off after 10 second duration

Spreader Operation:

1. Press the “Spreader On – Off” Button
2. If applying liquid pre-wet, initiate by pressing the middle knob
3. Select Mode of Operation

- Manual mode – The auger speed can be set from 0% to 100%. **The controller will automatically revert to auto mode if manual mode has been disabled through the calibration menu**

- Auto mode –In Auto, the auger speed will be proportional to the vehicle speed for a constant (Lbs. / Mile) output. Therefore, when the truck stops the spreader stops.

4. Using the rotary knobs, set the Auger, Spinner, and pre-wet settings.

Blast – The “Blast” button engages the auger to the maximum set output for a set time interval. If the button is pressed during this time duration, it will cancel the operation. Hold the button to continuously discharge material at the max setting.

Pause – The “Pause” button disengages the spreader. Simply push to pause the spreader operation and press again to resume.

Warning Messages:

Flashing Auger Settings – Indicates vehicle is at 0 MPH while in Auto Mode.

Hot Oil – Stop equipment operation and report condition to appropriate personnel.

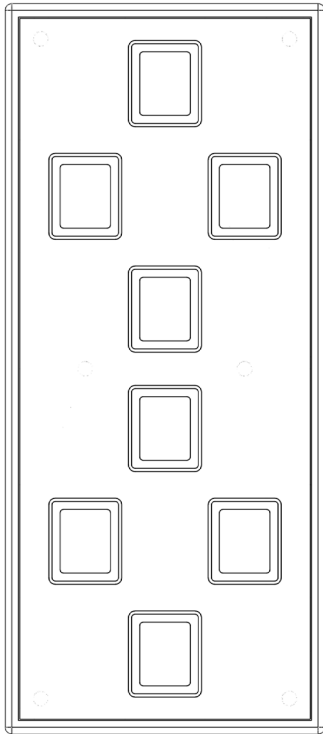
Low Oil – Stop equipment operation and report condition to appropriate personnel.

Cold Oil – When possible, engage motor function to allow hydraulic oil to warm.

Open Circuit – A wire is disconnected. Report condition to appropriate personnel.

Auger or Liquid Output Limited – Indicates the output request is higher than the maximum trim setting.

CYLINDER CONTROL



Cylinder Panel Operation (If installed):

1. Push the appropriate arrowed buttons to operate the plow and other auxiliary pieces of equipment.
2. The backlighting on the arrowed buttons will change from green to red to indicate successful solenoid activation on the cartridge valves.
3. If Plow float is configured, press the plow down button 2 times in a 5 second increment to enable. The Plow Down Button should latch red to indicate this feature is enabled. Press the plow up button to cancel.

When enabled, this feature allows the plow to follow the contour of the road providing better plow performance.

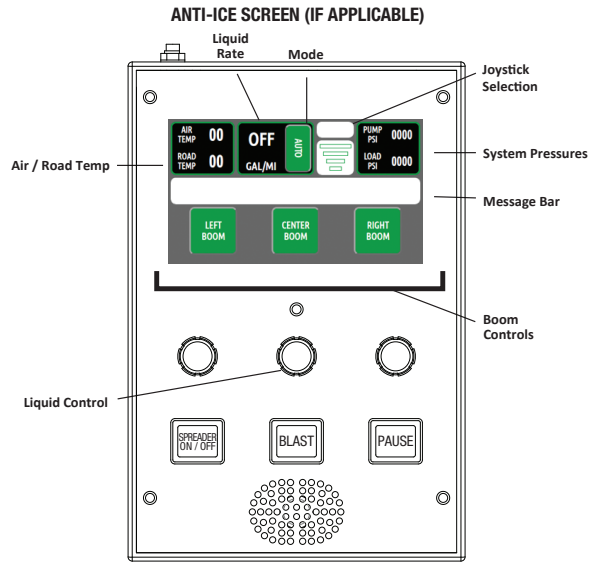


Joystick Operation (If installed):

1. Select cylinder operation (Plow, Dump, Auxiliary) by momentarily pressing the appropriate button on the joystick head. The selection will latch the function until another function is selected. The mode will be displayed on the touch screen of the spreader panel. If the system is turned off and then restarted No function is selected by default a selection must be made before using the joystick to control any piece of equipment.
2. The Dead-Man Switch must be depressed while actuating the joystick and held throughout the operation. If the trigger is released during operation, the operation will cease.
3. If Plow float is configured, with the plow selected, actuate the joystick forward 2 times in a 5 second increment to enable. The plow down button on the cylinder panel should latch red to indicate this feature is enabled. Press the plow up button to cancel.

When enabled, this feature allows the plow to follow the contour of the road providing better plow performance.

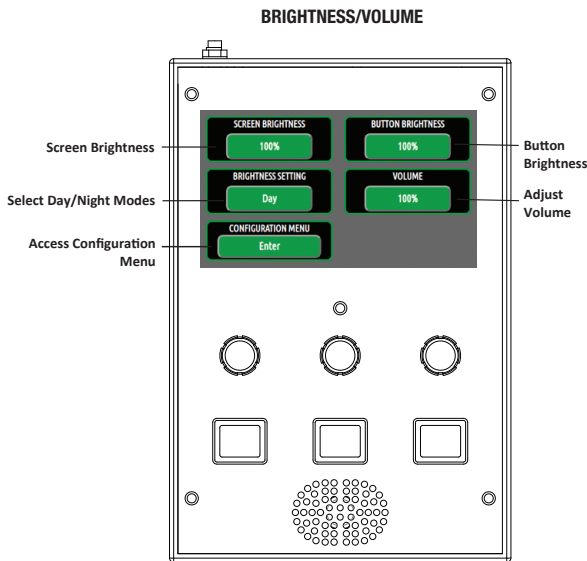
OPERATING SCREENS



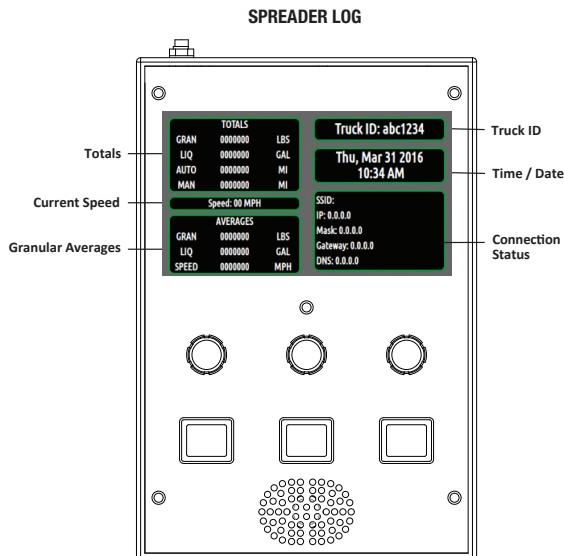
To Actuate Booms – press the boom controls on the screen

Set Mode – press the “Mode” button to switch between Auto and Manual Control

Anti-Ice Rate – Press the Spreader on/off and rotate the Auger Control to adjust the rate



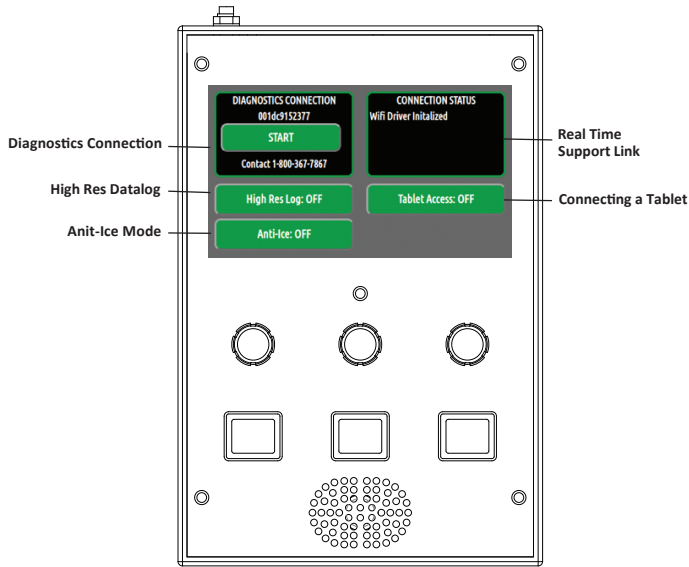
This screen allows the operator to adjust settings such as: Screen brightness, Button Brightness, and volume intensity. Simply click the appropriate onscreen button to adjust any of the settings.



This screen allows the operator to view how much liquid and material has been discharged. It also allows the user to view the time and date, along with displaying the Wi-Fi network connection information.

OPERATING SCREENS

REAL TIME SUPPORT



High Res Log – Press button to engage High Resolution Datalog

Diagnostic Connect – After connecting to a Wi-Fi network press the start button to connect the remote diagnostic connection

Connect Status – Displays the Wi-Fi status of the controller

Anit-Ice Mode – This button is used to switch the system between normal operation and Anti-Ice operation