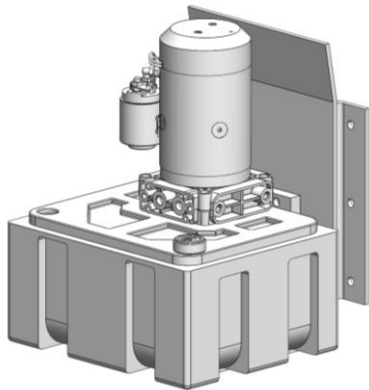
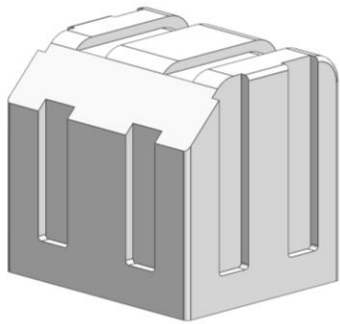




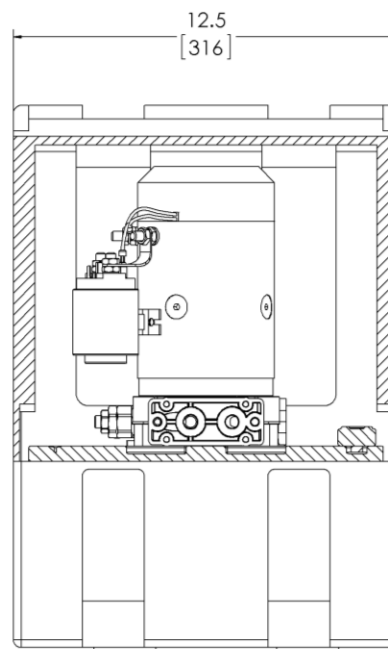
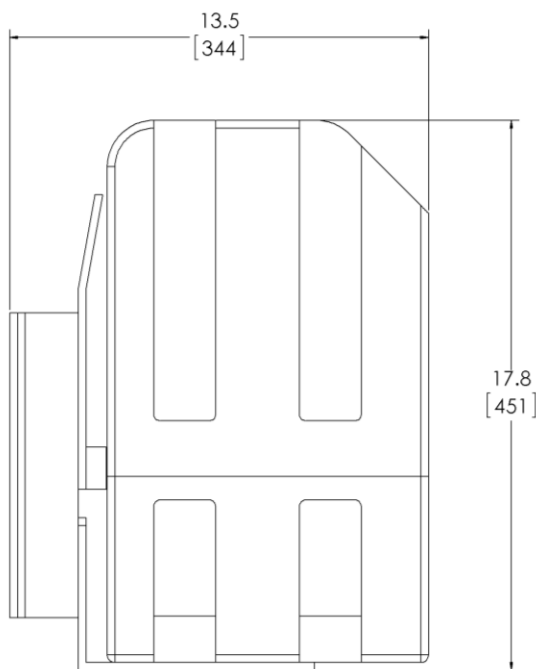
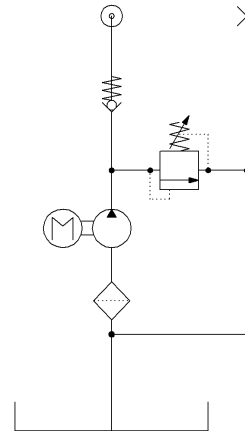
# Hydraulic Power Packs



## LP1A-1VPL06-000-A

Single Acting Cylinder Application

- 10.5 Qt. Poly-Reservoir
- Check and Relief Valve
- Complete Valve Enclosure
- Vertical Mounting



### Available Options

Power Pack	Motor	Function	Mounting Position	Reservoir Type	Reservoir Size	Pump	Assembly Code	Control
LP1	A	1	V	P	L	06	000	A
	See Pg. 20 -22					See Pg. 3		See Pgs. 24