

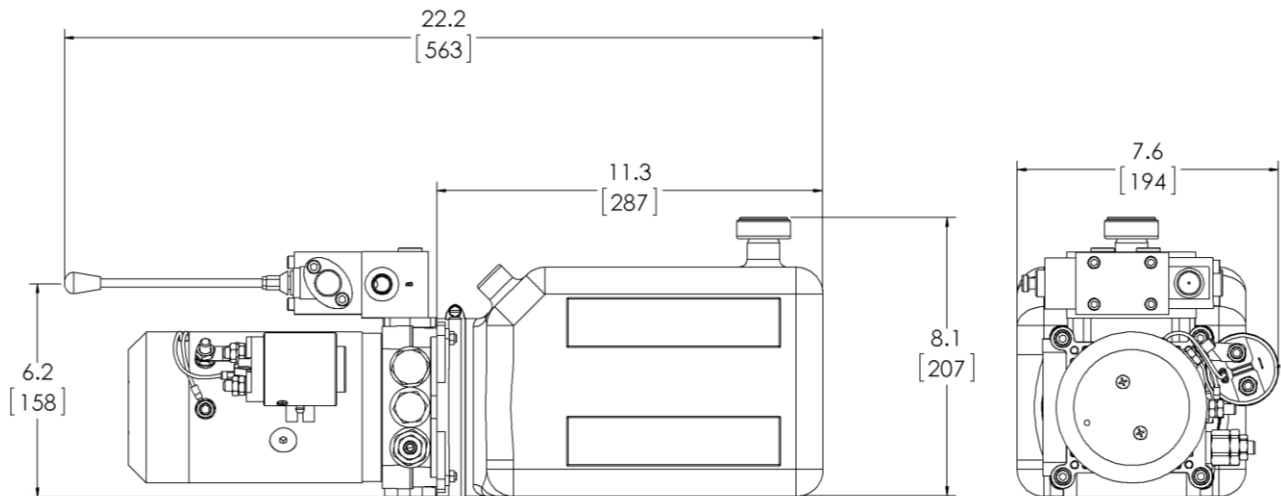
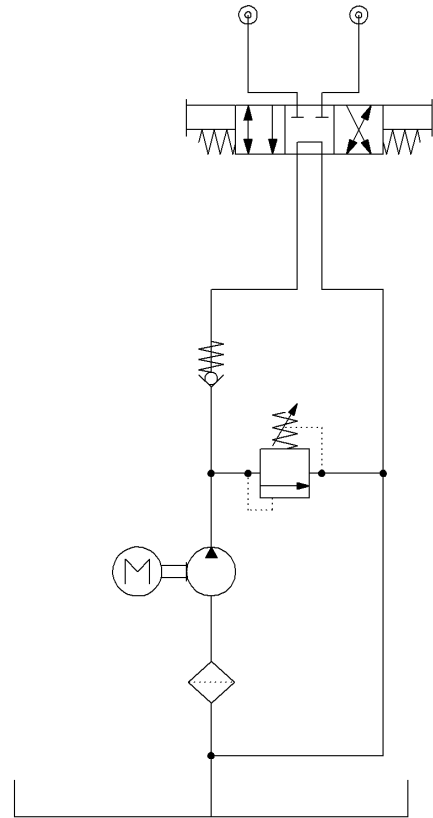
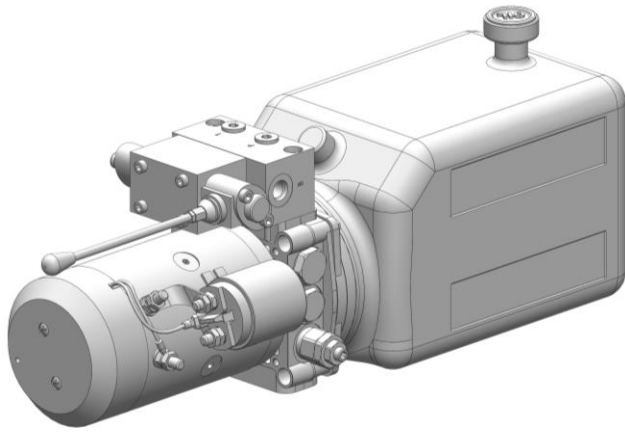


Hydraulic Power Packs

LP1A-4HPJ06-040-M

Double Acting Cylinder Application

- 5.3 Qt. Poly-Reservoir
- Check and Relief Valve
- 3 Position 4 Way
- Manual Hand Control
- 12V Motor with Relay
- 2cc Pump
- Horizontal Mounting



Available Options

Power Pack	Motor	Function	Mounting Position	Reservoir Type	Reservoir Size	Pump	Assembly Code	Control
LP1	A	4	H	P	J	06	040	M
	See Pg. 20 -22		See Pg. 3	See Pg. 14 -15	See Pg. 14 - 15	See Pg. 3		Manual