

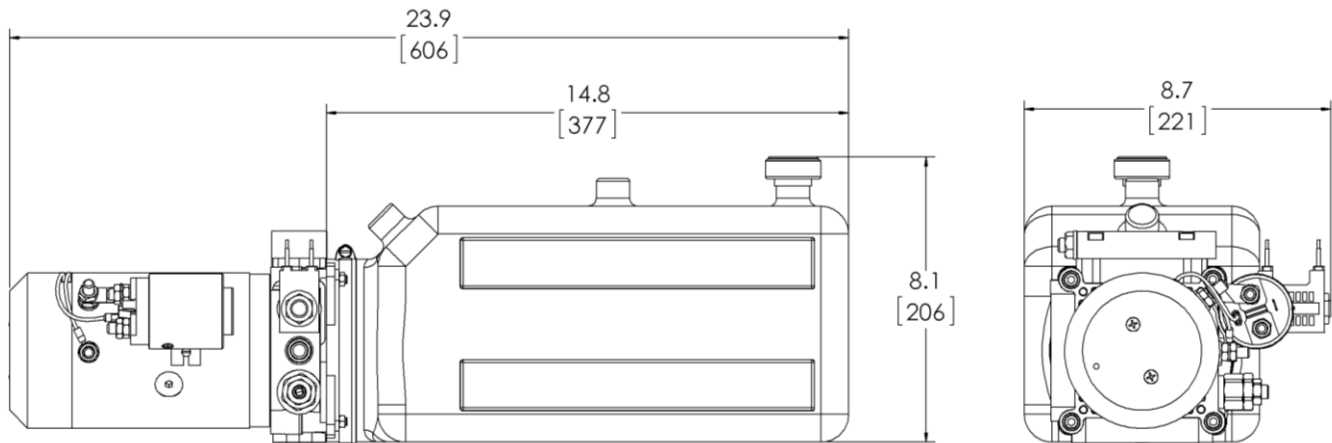
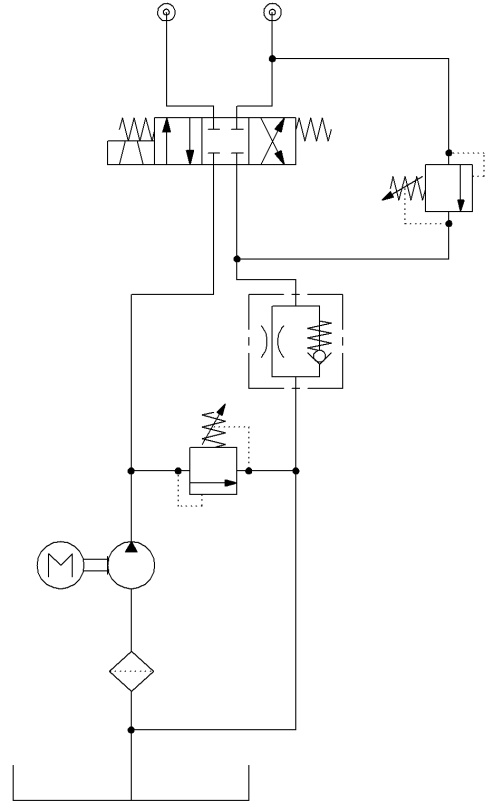
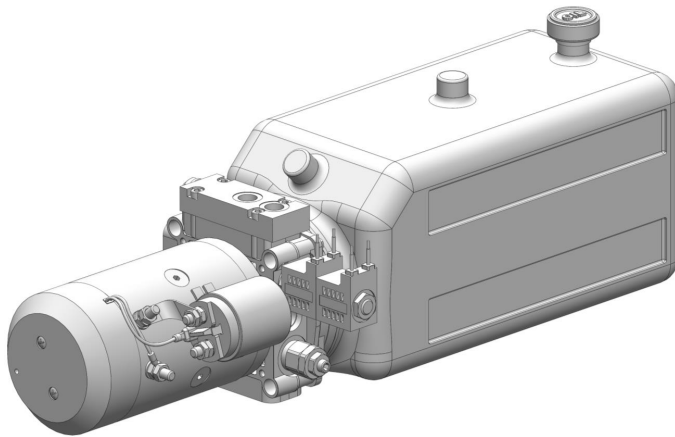


# Hydraulic Power Packs

## LP1A-4HPK06-100-C

Double Acting Dump Body Application

- 8.5 Qt. Poly-Reservoir
- Downside Relief (450 PSI)
- Relief Valve
- 3 Position 4 Way
- 2.37 GPM Flow Control on Lower Function
- Corded Control
- 12V Motor with Relay
- 2cc Pump
- Horizontal Mounting



### Available Options

Power Pack	Motor	Function	Mounting Position	Reservoir Type	Reservoir Size	Pump	Assembly Code	Control
LP1	A	4	H	P	J	06	100	C
	See Pg. 20 -22		See Pg. 3	See Pg. 14 -15	See Pg. 14 - 15	See Pg. 3		See Pgs. 24