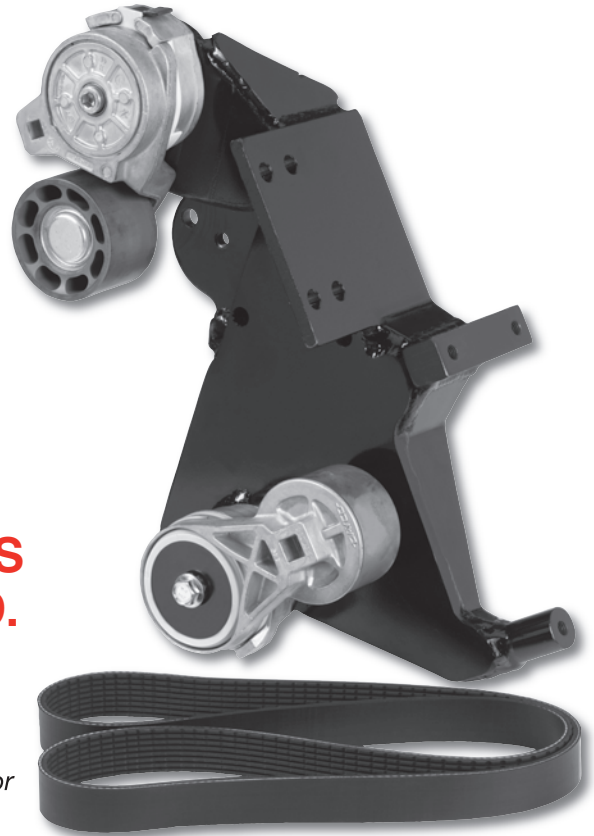




ENGINE MOUNTING KIT PH CLUTCH PUMP

Mounting kit has bolt pattern specially designed for Muncie PH Clutch Pumps.

MOUNTING KITS INCLUDE ALL HARDWARE, PULLEYS AND BELTS AS REQUIRED.



(See MP89-14 for Clutch Pumps)

MODEL NUMBER CONSTRUCTION — PH CLUTCH PUMP ENGINE MOUNTING KIT

CMK F 08 - 6400 - P8 - AC

<p>Series C _____</p> <p>Mounting Kit Type MK — Pickup & Medium Duty Truck VK — Passenger Van</p> <p>Chassis Mfg. _____ C — Chev./GMC I — Isuzu D — Dodge M — Mercedes (Freightliner/Sterling) E — Mitsubishi N — International (Navistar) F — Ford P — Peterbilt</p> <p>Model Year _____ First year kit designed for engine (assume it fits subsequent year unless newer year kit available).</p> <p>Engine (Typical - Not All Shown) _____</p> <table border="0"> <tr> <td>Chevrolet/GMC</td> <td>Ford</td> <td>Isuzu / Chevy / GMC</td> </tr> <tr> <td>5360 5.3, 6.0 Liter Gas</td> <td>5400 5.4 Liter Gas</td> <td>3500 350 cu. in.</td> </tr> <tr> <td>6500 6.5 Liter Diesel</td> <td>5900 5.9 Liter Diesel</td> <td>4700 4.7 Liter Gas</td> </tr> <tr> <td>6600 6.6 Liter Diesel</td> <td>6000 6.0 Liter Diesel</td> <td>5700 5.7 Liter Gas</td> </tr> <tr> <td>8100 8.1 Liter Gas</td> <td>6800 6.8 Liter Gas</td> <td></td> </tr> <tr> <td>Dodge</td> <td>6910 6.9L, 7.3L Diesel</td> <td>Mercedes Group</td> </tr> <tr> <td>3136 318, 360 cu. in.</td> <td>7300 7.3 Liter Diesel</td> <td>3126 Caterpillar Diesel</td> </tr> <tr> <td>360P 360 cu. in.</td> <td>International (Navistar)</td> <td>5900 5.9 Liter Diesel</td> </tr> <tr> <td>3600 360 cu. in.</td> <td>3600 DT360 Diesel</td> <td></td> </tr> <tr> <td>590D 5.9 Liter Diesel</td> <td>4046 DT408, DT466 Diesel</td> <td></td> </tr> <tr> <td>5900 5.9 Liter Diesel</td> <td>444E 7.3 Liter Diesel</td> <td></td> </tr> <tr> <td></td> <td>4600 DT466 Diesel</td> <td></td> </tr> </table>	Chevrolet/GMC	Ford	Isuzu / Chevy / GMC	5360 5.3, 6.0 Liter Gas	5400 5.4 Liter Gas	3500 350 cu. in.	6500 6.5 Liter Diesel	5900 5.9 Liter Diesel	4700 4.7 Liter Gas	6600 6.6 Liter Diesel	6000 6.0 Liter Diesel	5700 5.7 Liter Gas	8100 8.1 Liter Gas	6800 6.8 Liter Gas		Dodge	6910 6.9L, 7.3L Diesel	Mercedes Group	3136 318, 360 cu. in.	7300 7.3 Liter Diesel	3126 Caterpillar Diesel	360P 360 cu. in.	International (Navistar)	5900 5.9 Liter Diesel	3600 360 cu. in.	3600 DT360 Diesel		590D 5.9 Liter Diesel	4046 DT408, DT466 Diesel		5900 5.9 Liter Diesel	444E 7.3 Liter Diesel			4600 DT466 Diesel		<p>Kit Style AC — Kits designed to work with trucks with air conditioners. (Delete if applicable.) X — Bracket Kit Only. Inline to OEM Belts.</p> <p>Drive Option (Omit for Single Belt Kits) A — Dual 1/2" V-Belt Kits AH — Dual 1/2" V-Belt Kits, with longer belts for heavy duty clutch AW — Dual 1/2" V-Belt Kit, with water pump P6 — Serpentine 6 Groove Poly V-Belt* P8 — Serpentine 8 Groove Poly V-Belt* P8W — Serp. 8 Gr. Poly V-Belt, w/water pump* XP6 — Serp. 6 Gr. Poly V-Belt, Bracket kit only* XP8 — Serp. 8 Gr. Poly V-Belt, Bracket kit only* LA — Dual 1/2" V-Belt Kit, Ford Compliant Crank Pulley LP8 — Serpentine 8 Groove Poly V-Belt, Ford Compliant Crank Pulley*</p> <p><i>*Requires matching 6 or 8 groove clutch</i></p>
Chevrolet/GMC	Ford	Isuzu / Chevy / GMC																																			
5360 5.3, 6.0 Liter Gas	5400 5.4 Liter Gas	3500 350 cu. in.																																			
6500 6.5 Liter Diesel	5900 5.9 Liter Diesel	4700 4.7 Liter Gas																																			
6600 6.6 Liter Diesel	6000 6.0 Liter Diesel	5700 5.7 Liter Gas																																			
8100 8.1 Liter Gas	6800 6.8 Liter Gas																																				
Dodge	6910 6.9L, 7.3L Diesel	Mercedes Group																																			
3136 318, 360 cu. in.	7300 7.3 Liter Diesel	3126 Caterpillar Diesel																																			
360P 360 cu. in.	International (Navistar)	5900 5.9 Liter Diesel																																			
3600 360 cu. in.	3600 DT360 Diesel																																				
590D 5.9 Liter Diesel	4046 DT408, DT466 Diesel																																				
5900 5.9 Liter Diesel	444E 7.3 Liter Diesel																																				
	4600 DT466 Diesel																																				



MP87-01 (Rev. 1-10) Printed in the U.S.A.
 © Muncie Power Products, Inc. 2010

Muncie Power Products, Inc. Member of the Interpump Hydraulics Group
 General Offices and Distribution Center • P.O. Box 548 • Muncie, IN 47308-0548
 (765) 284-7721 • FAX (765) 284-6991 • E-mail info@munciepower.com
 Web site <http://www.munciepower.com>

Drive Products, Exclusive Agents for Canada, ISO Certified by an Accredited Registrar



ENGINE MOUNTING KITS FOR PH PUMPS: Mounting kits are designed for vehicles with or without air conditioning unless noted otherwise. Drive category indicates the type of clutch to be used, 2, 6 or 8 groove pulley, engine %, and how it's driven: **I** = inline to OEM belts **A** = add on pulley

LITER	TYPE	DRIVE(ENG%)	YEAR	CHASSIS	KIT NO. FOR PH PUMP	COMMENTS
CHEVROLET/GM						
4.8, 5.3, 6.0	Gas	I6 (1.25)	1999 - '10	Silverado	CMKC99-5360-XP6-AC	8HP Limit, In-Line Bracket Kit Only, 118A, 130A, 145A Alt.
5.0, 5.7	Gas	A2 (108)	1996 - '00	C&K 1500-3500 & Van	CMKC96-5057-A-AC	96-'00 Trucks, '97-'02 Vans, W/wo Dual Battery
5.0, 5.7	Gas	A8 (118)	1996 - '00	C&K 1500-3500 & Van	CMKC96-5057-P8-AC	96-'00 Trucks, '97-'02 Vans, W/wo Dual Battery
5.3, 6.0	Gas	I6 (108)	2003 - '10	G1500-3500 Van	CVKC03-5360-XP6-AC	W/o EGR Valve
6.0, 7.0	Gas	A2 (108)	1990 1/2-'98	C60, C70	CMKC90-3642-A	Without AC
6.5	Dsl	A2 (108)	1996 - '02	C&K 1500-3500, 3500HD	CMKC96-6500-A-AC	W/o Dual Alt., H.D. Clutch NA, Old Style Body Only
6.6	Dsl	A2 (108)	1990 - '98	C60, C70	CMKC91-3116-A	Cat 3116 Without AC
6.6	Dsl	I6 (108)	2001 - '10	2500HD, 3500 (Not HD)	CMKC06-6600-XP6-AC	8HP Limit, In-Line Bracket Kit Only, W/o Dual Alt., Max 1.55 cu.in. Pump Due To Interference
6.6	Dsl	A8 (118)	2003 - '04 1/2	C4500, 5500	CMKC03-660M-P8-AC	LLY Emission Code (1-04 and Earlier), W/wo Dual Alt., W/wo AC
6.6	Dsl	A8 (118)	2004 - '07 1/2	2500HD, 3500 (Not HD)	CMKC07-660M-P8-AC	8HP Limit, LLY Emission Code (1-04 and Later)
6.6	Dsl	A8 (118)	2007 1/2 - '10	C4500, 5500	CMKC07-660M-P8-AC	8HP Limit
7.2	Dsl	A2 (108)	1990 - '02	C65, C75, Topkick, Kodiak	CMKC02-3126-A-AC	CAT3126, CAT3116, W/wo AC, W/wo Air Compressor
7.2	Dsl	I8 (137)	2004 - '07 1/2	C6500, 7500 Kodiak, Topkick	CMKC04-3126-XP8-AC	10HP Limit, Cat 3126, W/ AC Only, W/wo Air Brakes
7.4	Gas	A2 (108)	1996 - '00	C&K 1500-3500, HD	CMKC96-7400-A-AC	W/o Dual Alt., W/o K19 CA Emissions, W/o A.I.R.
7.4	Gas	A2 (108)	1999 - '00	C60, C70 Med. Duty	CMKC99-740M-A-AC	W/o Air Brakes, W/ Power Steering Mounted Low
7.8	Dsl	A8 (137)	2004 - '10	C6500, 7500	CMKC04-7800-P8-AC	W/wo AC, W/wo Air Brakes
8.1	Gas	A8 (118)	2001 - '07	2500HD, 3500 (Not HD)	CMKC01-8100-P8-AC	8 Groove Pulley, W/ Driver Side Alt.
8.1	Gas	A8 (118)	2001 - '10	3500HD, 4500, 5500	CMKC01-81CK-P8-AC	Passenger Side Alt., 2001-'02-3500HD, 2003-'10-4500, 5500
8.1	Gas	A8 (118)	2001 - '10	C6500, 7500	CMKC01-810M-P8-AC	W/wo AC, W/wo Air Compressor, W/wo Air Brakes
DODGE						
5.2, 5.9	Gas	A2 (108)	1993 - '01	3/4 Ton	CMKD94-3136-A-AC	318, 360 cu.in., '93-'99 360, '92-'01 318, Will not fit '00 318, W/o A.I.R.
5.7	Gas	A8 (118)	2003 - '08	D2500-3500	CMKD03-5700-XP8-AC	5.7 Hemi, 10HP Limit, W/AC Only
5.7	Gas	A8 (118)	2009 - '10	D2500-3500	CMKD09-5700-P6-AC	W/wo Air Conditioning
5.9	Gas	A2 (108)	1993 - '99	1 Ton	CMKD94-3600-A-AC	W/ A.I.R.
5.9	Dsl	A2 (108)	1994 - '98	D250-350	CMKD94-5900-A-AC	W/ Intercooler
5.9	Dsl	A2 (108)	1998 1/2 - '02	D250-350	CMKD98-5900-A-AC	ISB Diesel (24 valve)
5.9	Dsl	A8 (118)	1998 1/2 - '02	D250-350	CMKD98-5900-P8-AC	ISB Diesel (24 valve), W/8 Groove Pulley
5.9	Gas	A2 (108)	2000 - '02	1 Ton	CMKD00-3600-A-AC	New OEM Pulley w/modifications, W/ A.I.R.
5.9	Gas	A2 (108)	2000 - '02	3/4 Ton	CMKD00-36LA-A-AC	New OEM Pulley w/modifications, W/wo A.I.R.
5.9	Dsl	A6 (108)	2003 - '07 1/2	R250-350	CMKD04-5900-P6-AC	ISB Diesel (24 valve), W/ AC Only
6.7	Dsl	I8 (137)	2007 1/2 - '10	3500 - 5500	CMKD08-6700-XP8-AC	3500 - 5500, 10 HP Limit
8.0	Gas	A1 (108)	1994 - '02	Truck	CMKD94-8000-AC	5HP Limit Due To Harmonic Balancer
FORD						
4.9	Gas	A2 (108)	1990 - '96		CMKF93-3000-A-AC	300 cu.in. 6 cyl., Special side port pump req.
5.0, 5.8	Gas	A2 (108)	1988 - '97		CMKF90-3035-A-AC	302, 351W cu.in.
5.4	Gas	A2 (108)	1997 - '03	F-150, F-250, '04 Classic	CMKF97-5400-AW-AC	Ford Compliant Crank Pulley + Ford Water Pump
5.4	Gas	A2 (108)	1999 - '04	F-250 - 550 SD	CMKF00-5400-AW-AC	Ford Compliant Crank Pulley w/Water Pump
5.4	Gas	A8 (118)	1999 - '04	F-250 - 550 SD	CMKF00-5400-P8W-AC	Ford Compliant Crank Pulley w/Water Pump, Requires 8 Groove Clutch
5.4, 6.8	Gas	A2 (108)	2005 - '10	F-250 - 550 SD	CMKF05-5468-LA-AC*	3-Valve Eng., 18 HP Limit, Ford Compliant Spider Bracket Pulley
5.4, 6.8	Gas	A8 (118)	2005 - '10	F-250 - 550 SD	CMKF05-5468-LP8-AC*	3-Valve Eng., 18 HP Limit, Ford Compl. Spider Bracket Pulley, Requires 8 Groove Clutch
5.4, 6.8	Gas	A2 (108)	1997 - '99	Van	CVKF98-5468-A-AC	Ford Compliant Crank Pulley, 5 HP Limit
5.4	Gas	A2 (108)	1997 - '03	Van	CVKF00-5400-AW-AC	Ford Compliant Crank Pulley, Ford Water Pump
5.4	Gas	A8 (118)	1997 - '03	Van	CVKF00-5400-P8W-AC	Ford Compliant Crank Pulley, Ford Water Pump, Requires 8 Groove Clutch
5.9	Dsl	A2 (108)	1993 - '98	Not for L Series Chassis	CMKF93-5900-A-AC	W/o Large Radiator Tank
5.9	Dsl	A2 (108)	1995 - '98	Not for L Series Chassis	CMKF95-5900-A	W/o Air Conditioning
5.9	Dsl	A2 (108)	1999	F-600, F-700	CMKF99-5900-A-AC	W/wo Air Conditioning, W/wo Air Brakes
5.9	Dsl	A2 (108)	2000 - '03	F-650, F-750	CMKF00-5900-A-AC	ISB (24 valve)
6.0, 7.0	Gas	A2 (108)	1985 1/2 - '99		CMKF97-3742-A	370, 429 cu.in., W/o Air Conditioning
6.0	Dsl	A8 (118)	2003 - '07 1/2	F-250 - 550 SD	CMKF03-600A-P8-AC	Without Dual Alternators, Requires 8 Groove Clutch, Aluminum Bracket
6.0	Dsl	A8 (118)	2003 - '07 1/2	F-650, F-750	CMKN03-3650-P8-AC	Without Air Brakes
6.4	Dsl	I8 (137)	2007 1/2 - '10	F-250 - 550 SD	CMKF08-6400-P8-AC	W/o Dual Alt.
6.4	Dsl	I8 (118)	2007 1/2 - '10	F-250 - 550 SD	CMKF08-6401-P8-AC	With Dual Alt.
6.8	Gas	A2 (108)	1999 - '04	F-250 - 550 SD	CMKF00-6800-A-AC	Ford Compliant Crank Pulley
6.8	Gas	A8 (118)	1999 - '04	F-250 - 550 SD	CMKF00-6800-P8-AC	Ford Compliant Crank Pulley, Requires 8 Groove Clutch
6.8	Gas	A2 (108)	1997 - '03	Van	CVFK00-6800-A-AC	Ford Compliant Crank Pulley
6.8	Gas	A8 (118)	1997 - '03	Van	CVFK00-6800-P8-AC	Ford Compliant Crank Pulley, Requires 8 Groove Clutch
7.2	Dsl	A2 (108)	2000 - '01	F-650, F-750	CMKF00-3126-A-AC	Caterpillar 3126B (Eng. Ser. No. 8YL82468 & Lower)
7.2	Dsl	A2 (108)	2001 - '03	F-650, F-750	CMKF01-3126-A	Cat 3126B W/wo AC, With 2 Bolt Alt., Eng. S/N 8Y82469 & Higher
7.2	Dsl	A2 (108)	2001 - '03	F-650, F-750	CMKF01-3126-A-AC	Cat 3126B w/AC, With 2 Bolt Alt., Eng. S/N 8Y82469 & Higher
7.2	Dsl	A2 (108)	2004 - '07 1/2	F-650, F-750	CMKF04-3126-P8-AC	Cat 3126 C7, W/o Air Brakes, With 4 Bolt Alt., Requires 8 Groove Clutch
7.3	Dsl	A2 (108)	1994 1/2 - '97		CMKF95-73DI-A-AC	1st Year Direct Injection
7.3	Dsl	A2 (108)	1999 - '03	F-250 - 550 SD	CMKF99-7300-A-AC	H.D. Clutch Not Available
7.3	Dsl	A8 (118)	1999 - '03	F-250 - 550 SD	CMKF99-7300-P8-AC	Requires 8 Groove Clutch
7.3	Dsl	A2 (108)	2000 - '03	F-650, F-750	CMKF00-730M-A-AC	Without Air Brakes Only
8.3	Dsl	A2 (108)	1993 - '98	L-8000 Only	CMKF93-830L-A	W/o Air Conditioning
8.3	Dsl	A2 (108)	1993 - '99	F-800	CMKF93-8300-A	W/o Air Conditioning
ISUZU						
5.7	Gas	A2 (108)	1996 - '03	NPR, 3500, 4500	CMKI96-5700-A-AC	
MERCEDES GROUP (FREIGHTLINER & STERLING)						
7.2	Dsl	A2 (108)	2000 - '03	FL60, FL70, Sterling Acterra	CMKM00-3126-A-AC	Cat. 3126 W/wo Fan Air Clutch
7.2	Dsl	I8 (137)	2000 - '03	FL60, FL70, Sterling Acterra	CMKM00-3126-XP8-AC	Cat. 3126 (bracket kit only) w/wo Fan Air Clutch
7.2	Dsl	I8 (137)	2004 - '07 1/2	Sterling Acterra	CMKM04-312S-P8-AC	Cat 3126 W/wo Air Brakes, w/o fuel filter mounted on engine front @ 1:00 position, W/wo Fan Air Clutch
MITSUBISHI						
4.9	Dsl	A2 (108)	2000 - '03	FE - FG, 4M50	CMKE00-4900-A-AC	Will not fit '04 with 5/8 Groove OEM Pulley
4.9	Dsl	I6 (108)	2002 - '10	FE - FG, 4M50	CMKE02-4900-P6-AC	W/wo Air Conditioning
INTERNATIONAL (NAVISTAR)						
4.7, 5.96	Dsl	A8 (118)	2003 - '07 1/2	4200	CMKN03-3650-P8-AC	VT275, VT365, Without Air Brakes Only
6.4	Dsl	A8 (118)	2008 - '09	4200	CMKN08-6400-P8-AC	MaxForce 7, W/wo Air Conditioning, W/wo Air Compressor
6.7, 7.6	Dsl	I8 (137)	1994 - '01		CMKN94-4046-XP8-AC	W/wo Air Conditioning
6.7, 7.6	Dsl	A2 (108)	1994 - '02		CMKN94-4064-A	DT408, DT466, w/o Air Conditioning
7.3	Dsl	A2 (108)	1994 - '02		CMKN94-444E-A-AC	T444E, W/wo Air Brakes, Will not fit LP, LPX Chassis
7.6, 8.7	Dsl	I8 (137)	2002 - '04	4300 - 4400	CMKN02-4600-XP8-AC	DT466, DT530, Bracket Kit Only, 10 HP Limit, W/o 275 Amp Alt.
7.6, 8.7	Dsl	I8 (137)	2002 - '04	7300 - 7500	CMKN02-53XX-XP8-AC	DT466, DT530, Bracket Kit Only, 10 HP Limit, W/o 275 Amp Alt., Installer supplies belt.
7.6	Dsl	A8 (118)	2007 1/2 - '09	4300 - 4400	CMKN08-460M-P8-AC	DT466, MaxForce DT 245 & 255 HP Only
7.6	Dsl	A8 (118)	2007 1/2 - '09	7300 - 7500	CMKN08-460H-P8-AC	MaxForce DT466 260HP Only, W/wo Air Brakes, w/Air Fan Air Clutch Only
PETERBUILT						
7.2	Dsl	A8 (118)	2003 - '07 1/2	330	CMKP03-3126-P8-AC	Cat 3126

* Automatic "Vacuum Shift" 4 wheel drive Req. Bracket No. FMB474A (Sold Separately).

ENGINE PERCENTAGE (%) / DRIVE PULLEY RATIOS: The final pump speed (engine %) is determined by the pulley drive ratio between the OEM Crankshaft pulley diameter and the clutch pump pulley diameter.