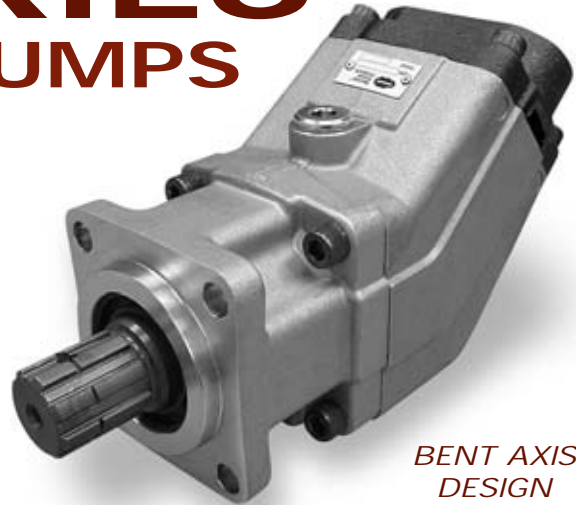




T SERIES PISTON PUMPS

Ultimate Power and performance in a small package best describes the fixed displacement T Series Bent Axis Piston Pumps. Designed exclusively for those high pressure applications. Muncie's high efficiency and rugged design provide for high performance and extra long life.

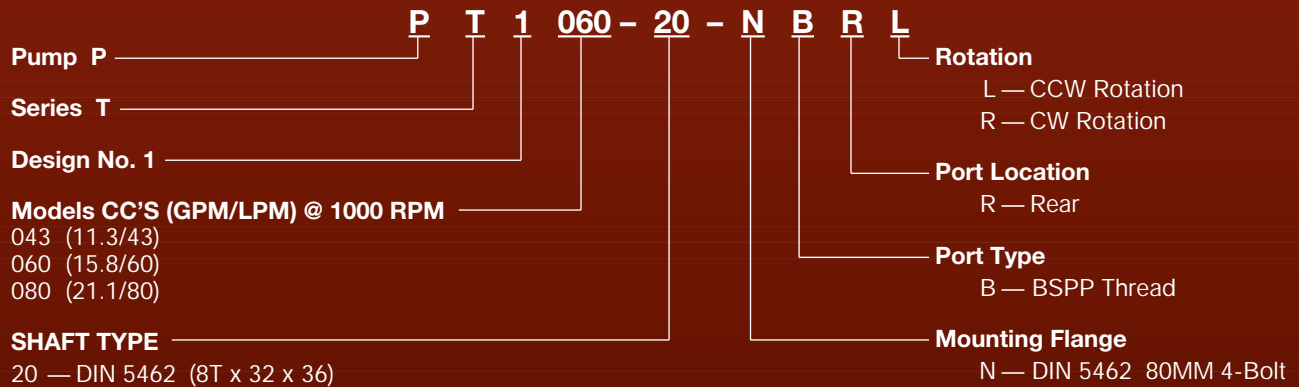


BENT AXIS
DESIGN

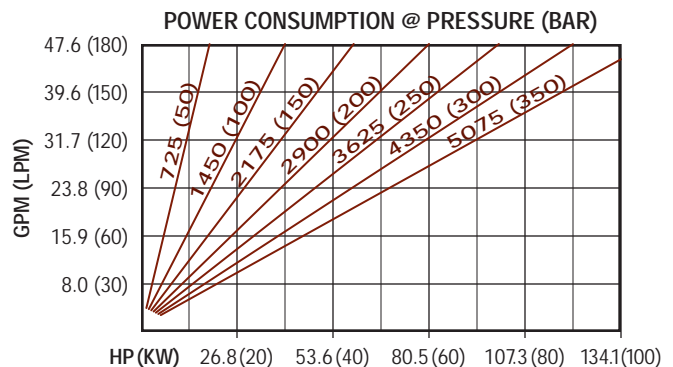
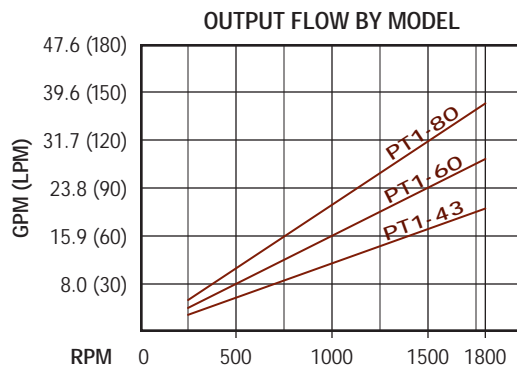
PUMP FEATURES

- THREE STANDARD SIZES
11-21 GPM (43-80 LPM)
- PRESSURES TO 5075 PSI
(350 BAR) CONTINUOUS DUTY
- SPEEDS TO 1800 RPM
- DOUBLE SHAFT SEALS
- BSPP STRAIGHT THREAD PORTS
- DIN 5462 4-BOLT SHAFT & FLANGE
- PROVEN EUROPEAN DESIGN
- FULL ONE YEAR WARRANTY

MODEL NUMBER CONSTRUCTION



PUMP PERFORMANCE



PISTON PUMP SPECIFICATIONS

PORTS

MODEL NO.	DISPL. CU IN (CC)	MAX RPM	MIN RPM	MAX PSI (BAR)	MAX INLET VACUUM	WEIGHT LBS (KG)	INLET (BSPP)	OUTLET (BSPP)
PT1-043	2.62 (43)	1800	600	5075 (350)	6 IN. HG. (.20BAR)	22.0 (10)	1	3/4
PT1-060	3.66 (60)	1800	600	5075 (350)	6 IN. HG. (.20BAR)	22.0 (10)	1	3/4
PT1-080	4.88 (80)	1800	600	4350 (300)	6 IN. HG. (.20BAR)	22.0 (10)	1-1/4	1

Maximum Oil Temperature: 180°F (82°C). Note: 10 Micron return line filtration recommended.

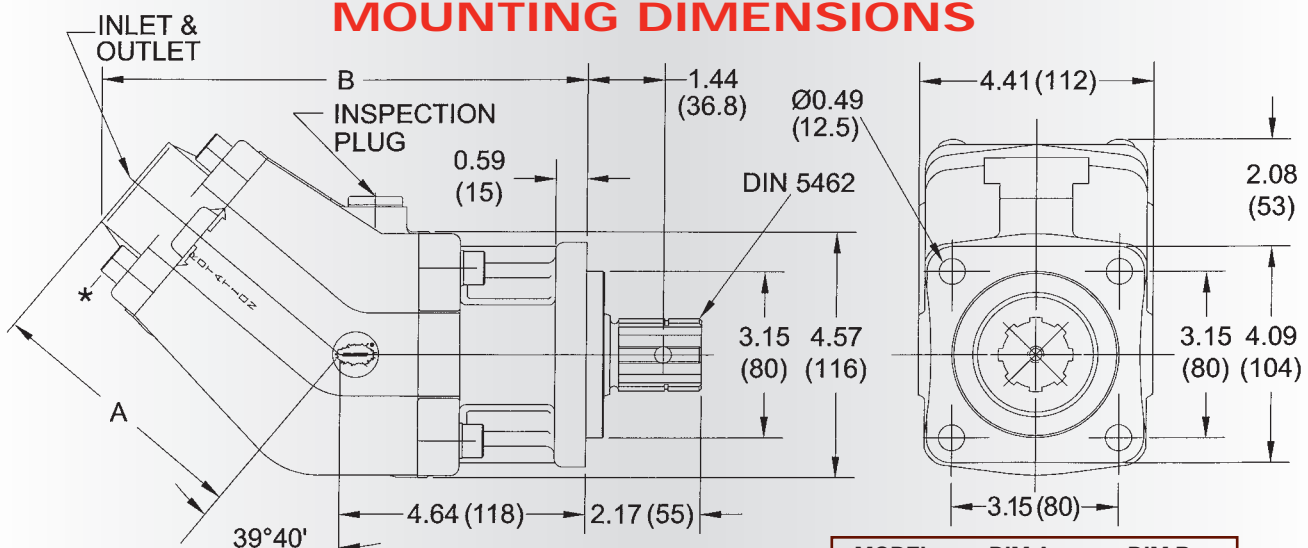
Recommended Oil Viscosity: Cold climate 22cST, Medium climate 37cST, Hot climate 46cST.

OPTIONAL FITTINGS

Optional low pressure & high pressure fittings provided for easy connection to typical North American hoses & thread types.

MODEL NO.	DESCRIPTION
R4BP45-24-16	1-1/2 INCH HOSE BARB, 45 DEGREE, TO 1 INCH MALE BSPP, SWIVEL
R4BP45-32-20	2 INCH HOSE BARB, 45 DEGREE, TO 1-1/4 MALE BSPP, SWIVEL
R4BP90-24-16	1-1/2 INCH HOSE BARB, 90 DEGREE, TO 1 INCH MALE BSPP, SWIVEL
R4BP90-32-20	2 INCH HOSE BARB, 90 DEGREE, TO 1-1/4 MALE BSPP, SWIVEL
HC-32-HD	HEAVY DUTY 2 INCH HOSE CLAMP
BP-MJ-12-12P	3/4 INCH MALE BSPP, TO -12 MALE JIC
BP-MJ45-12-12P	3/4 INCH MALE BSPP, 45 DEG., TO -12 MALE JIC
BP-MJ90-12-12P	3/4 INCH MALE BSPP, 90 DEG., TO -12 MALE JIC
BP-MJ90-12-16P	3/4 INCH MALE BSPP, 90 DEG., TO -16 MALE JIC
BP-MJ-16-12P	1 INCH MALE BSPP, TO -12 MALE JIC
BP-MJ-16-16P	1 INCH MALE BSPP, TO -16 MALE JIC
BP-MJ45-16-16P	1 INCH MALE BSPP, 45 DEG., TO -16 MALE JIC
BP-MJ90-16-16P	1 INCH MALE BSPP, 90 DEG., TO -16 MALE JIC
BP-MJ-20-20P	1-1/4 INCH MALE BSPP, TO -20 MALE JIC
BP-FBP-16-20	1 INCH MALE BSPP, TO 1-1/4 INCH FEMALE BSPP

MOUNTING DIMENSIONS



* Torque to 50-55 Ft.lbs. for rotation change.
Keep port cover flush to body when rotating.

MODEL	DIM A	DIM B
43 & 60	5.08 (129)	9.17 (233)
80	5.16 (131)	9.25 (235)



MP01-06 (Rev. 2-04) Printed in the U.S.A.
© Muncie Power Products, Inc. 2004

Muncie Power Products, Inc. Member of the Interpump Hydraulics Group
General Offices and Distribution Center • P.O. Box 548 • Muncie, IN 47308-0548
(765) 284-7721 • FAX (765) 284-6991 • E-mail info@munciepower.com
Web site <http://www.munciepower.com>

Drive Products, Inc., Toronto, Exclusive Agents for Canada

