

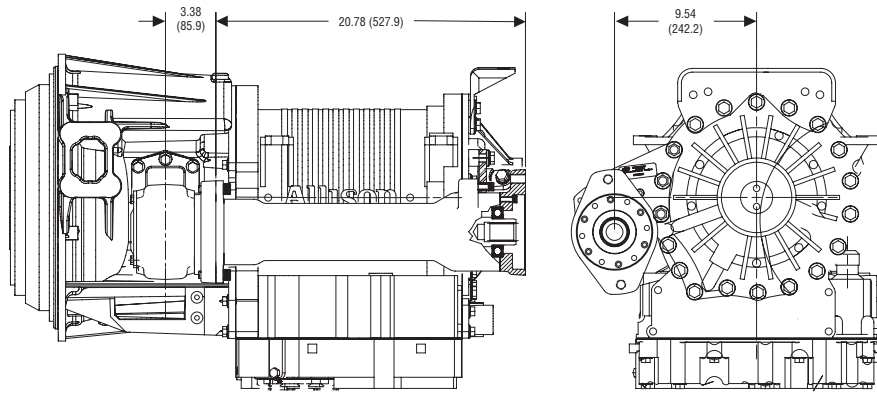


SHAFT EXTENSION KITS

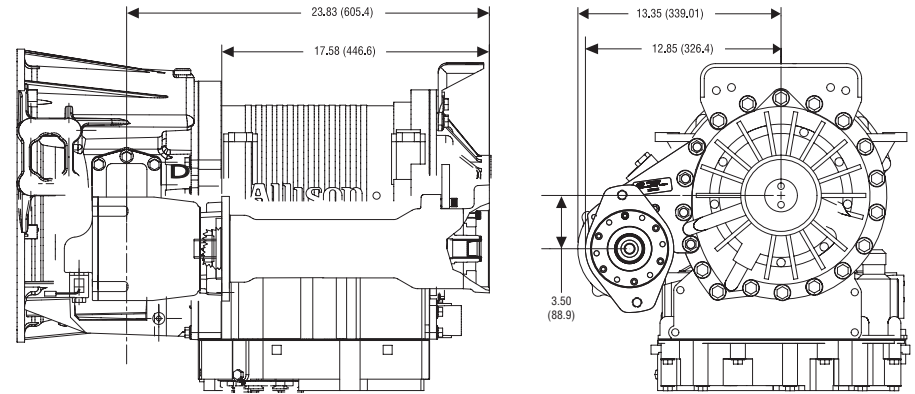
FOR CS/CD SERIES PTOs

MAX Pump Limit: 111 lbs. (50.4 Kg)

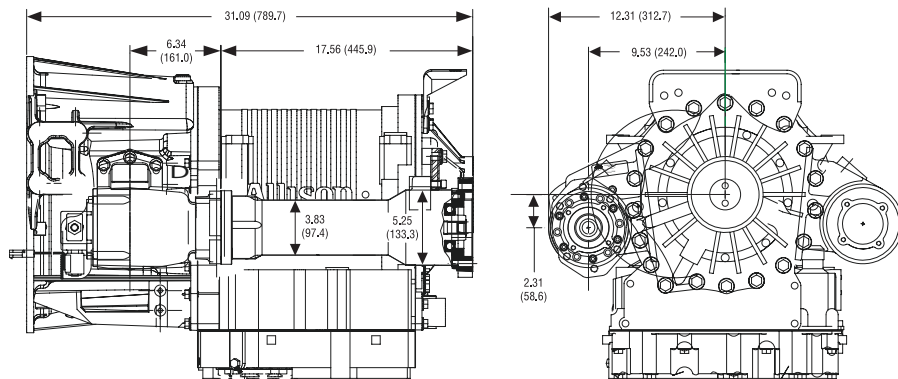
CD10 W/ SHAFT EXTENSION



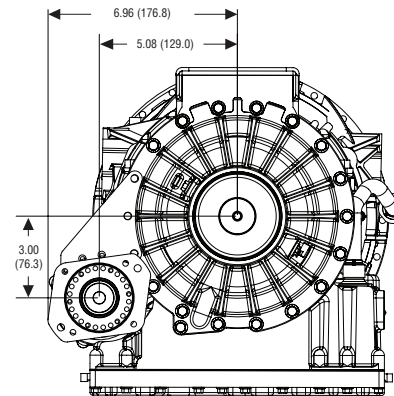
CS10 W/ SHAFT EXTENSION



CS20 W/ SHAFT EXTENSION



CS41 W/ SHAFT EXTENSION



SHAFT EXTENSION KITS FOR CS/CD SERIES PTOS

Allison Series	Opening Location	PTO Required	QR-Application Page	Output (Pump) Mounting Type	Shaft Kit Part No.
3000 TM	LEFT	CS24 "I"	ALLI-10	SAE-B 2&4	49TA4841A
3000	LEFT	CD10 "Z"	ALLI-5	SAE-B 2&4	49TA4125A
3000	LEFT	CD10 "Z"	ALLI-5	*SAE-B-B	49TA4126A
3000	LEFT	CD10 "Z"	ALLI-5	SAE-C 2-Bolt	49TA4127A
3000	LEFT	CD10 "Z"	ALLI-5	DIN-5462	49TA4128A
3000	LEFT	CD10 "Z"	ALLI-5	*SAE-B-C	49TA4450A
3000	LEFT	CD10 "Z"	ALLI-5	*SAE-C 2&4	49TA4999A
3000	LEFT	CS10 "Z"	ALLI-5	*SAE-B-B	49TA4495A
3000	LEFT	CS10 "Z"	ALLI-5	SAE-C 2-Bolt	49TA4506A
3000	LEFT	CS10 "Z"	ALLI-5	*SAE-C 2&4	49TA4837A
3000	LEFT	CS24 "I"	ALLI-5	SAE-B 2&4	49TA4692A
3000	LEFT	CS24 "I"	ALLI-5	*SAE-B-B	49TA4698A
3000	LEFT	CS24 "I"	ALLI-5	SAE-C 2-Bolt	49TA4788A
3000	LEFT	CS24 "I"	ALLI-5	*SAE-B-C	49TA4838A
3000	LEFT	CS24 "I"	ALLI-5	DIN-5462	49TA4896A
3000	LEFT	CS24 "I"	ALLI-5	*SAE-C 2&4	49TA5001A
3000	RIGHT	CD10 "Z"	ALLI-5	SAE-C 2-Bolt	49TA4133A
3000	RIGHT	CD10 "Z"	ALLI-5	*SAE-B-B	49TA4134A
3000	RIGHT	CD10 "Z"	ALLI-5	SAE-B 2&4	49TA4135A
3000	RIGHT	CD10 "Z"	ALLI-5	DIN-5462	49TA4137A
3000	RIGHT	CD10 "Z"	ALLI-5	*SAE-B-C	49TA4451A
3000	RIGHT	CD10 "Z"	ALLI-5	*SAE-C 2&4	49TA5000A
3000	RIGHT	CS24 "I"	ALLI-5	SAE-B 2&4	49TA4694A
3000	RIGHT	CS24 "I"	ALLI-5	*SAE-B-B	49TA4699A
3000	RIGHT	CS24 "I"	ALLI-5	SAE-C 2-Bolt	49TA4789A
3000	RIGHT	CS24 "I"	ALLI-5	*SAE-B-C	49TA4839A
3000	RIGHT	CS24 "I"	ALLI-5	DIN-5462	49TA4897A
3000	RIGHT	CS24 "I"	ALLI-5	*SAE-C 2&4	49TA5002A
4000	LEFT	CD10 "Z"	ALLI-6	*SAE-B-B	49TA4129A
4000	LEFT	CD10 "Z"	ALLI-6	SAE-C 2-Bolt	49TA4130A
4000	LEFT	CD10 "Z"	ALLI-6	DIN-5462	49TA4131A
4000	LEFT	CD10 "Z"	ALLI-6	SAE-B 2&4	49TA4132A
4000	LEFT	CD10 "Z"	ALLI-6	*SAE-B-C	49TA4432A
4000	LEFT	CD10 "Z"	ALLI-6	*SAE-C 2&4	49TA4941A
4000	LEFT	CS24 "I"	ALLI-6	SAE-B 2&4	49TA4833A
4000	LEFT	CS24 "I"	ALLI-6	*SAE-B-B	49TA4834A
4000	LEFT	CS24 "I"	ALLI-6	SAE-C 2-Bolt	49TA4835A
4000	LEFT	CS24 "I"	ALLI-6	*SAE-B-C	49TA4840A
4000	LEFT	CS24 "I"	ALLI-6	DIN-5462	49TA4898A
4000	LEFT	CS24 "I"	ALLI-6	*SAE-C 2&4	49TA5003A
4000	LEFT	CS41 "Z"	ALLI-6	SAE-C 2-Bolt	49TA4877A
4000	LEFT	CS41 "Z"	ALLI-6	DIN-5462	49TA4880A
4000	LEFT	CS41 "Z"	ALLI-6	*SAE-B-C	49TA4881A
4000	LEFT	CS41 "Z"	ALLI-6	*SAE-C 2&4	49TA5004A

* SAE-B-B -"SAE B Flange with SAE B-B Shaft", MUNCIE "P"
 SAE-B-C -"SAE B Flange with SAE C Shaft", MUNCIE "Z"
 SAE-C 2 & 4 -"SAE C Flange with 2 & 4 Bolt Mount", MUNCIE "E"
 ** Allison 3000 TM -"Special Top Mount PTO Location"

All models: Shaft Extensions not currently available for retarder options or rear mounted coolers. Transmissions must have rear support installed as supplied by vehicle manufacturer. 4700/4800 Allison models: Shaft Extensions are not currently available.



**Muncie®
Power
Products**

Muncie Power Products, Inc. Member of the Interpump Hydraulics Group
 General Offices and Distribution Center • P.O. Box 548 • Muncie, IN 47308-0548
 (765) 284-7721 • FAX (765) 284-6991 • E-mail info@munciepower.com
 Web site <http://www.munciepower.com>

Drive Products, Exclusive Agents for Canada, ISO Certified by an Accredited Registrar

