

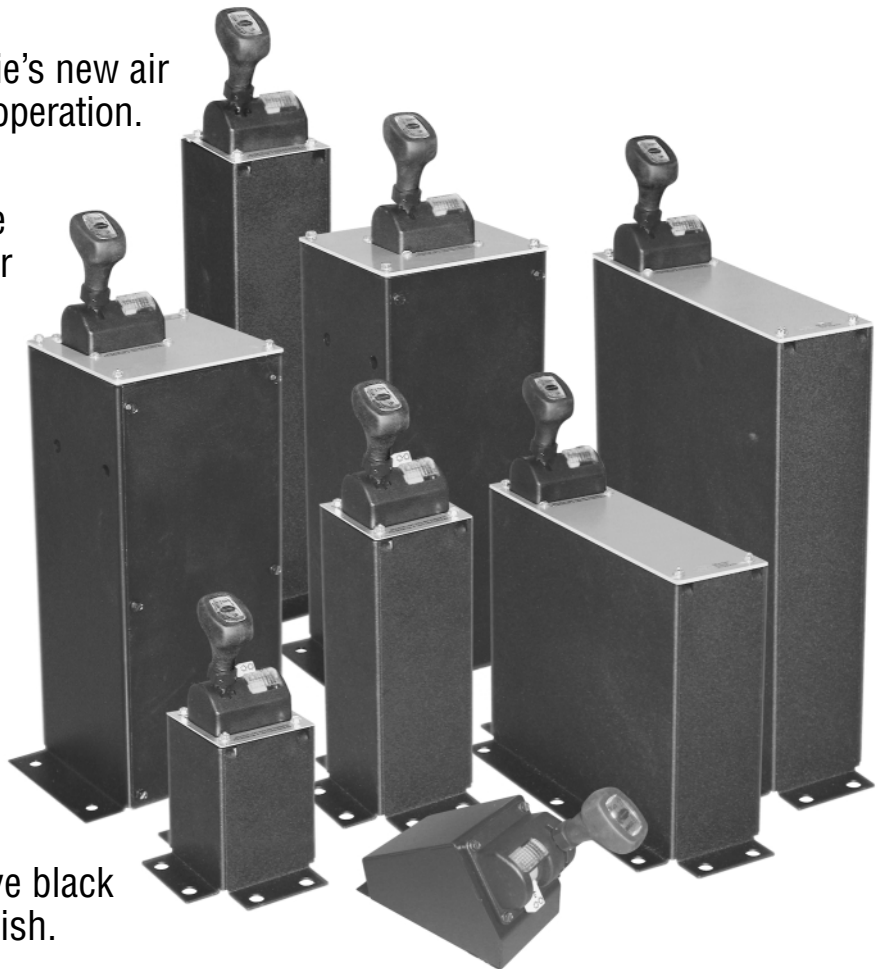


# DUMP BODY AIR SHIFT CONSOLES

Put yourself in control with Muncie's new air controls for PTO and dump pump operation.

The compact air control provides feathering control for lowering the body. Center detent is standard for all models with detent options for raise, lower, or both. The PTO is engaged through finger tip control of a simple lever. You can choose either manual PTO disengagement or automatic (kick out) when the dump lever is placed into the lower position.

Quality consoles are designed for form, fit, and function, with choices like you've never seen before. Choose from short, tall, square, rectangular, compact, or "room to grow". Durable, attractive black powder coat provides a quality finish.



## PRODUCT FEATURES

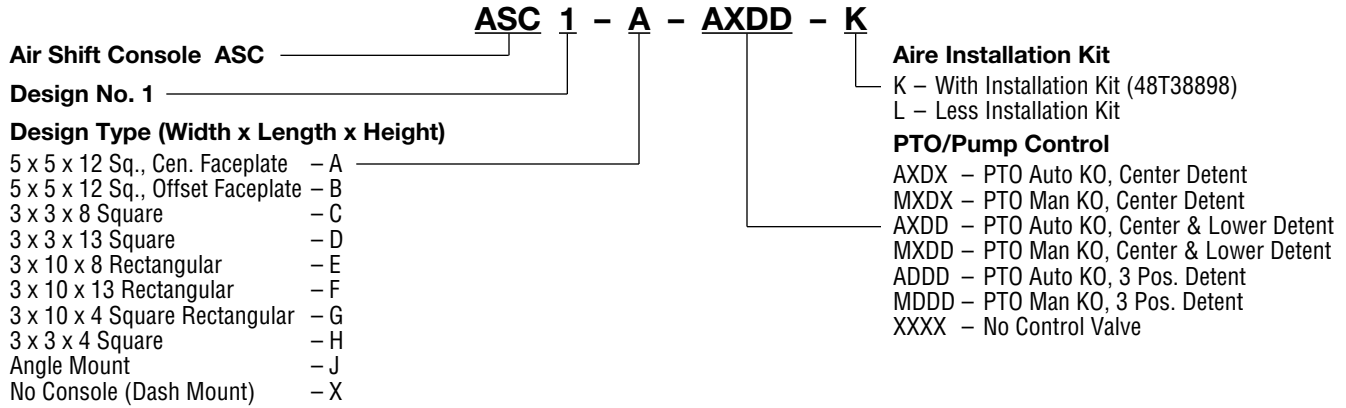
### AIR CONTROLLER

- SIX MODELS
- AUTOMATIC OR MANUAL PTO KICK OUT FOR LOWER POSITION
- CENTER DETENT STANDARD, OPTIONAL LOWER DETENT OR 3RD DETENT IN RAISE POSITION
- SMALL SIZE FOR EASY DASH MOUNTING
- LED PTO INDICATOR LIGHT
- PUSH TO CONNECT FITTINGS STANDARD IN AIR INSTALLATION KIT

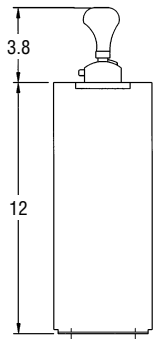
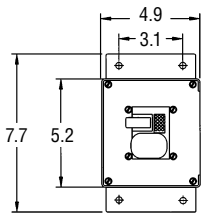
### CONSOLES

- NINE STYLES
- HEIGHT OPTIONS OF 4", 8" OR 13" ON MOST TYPES, 12" STANDARD ON TYPE A OR B
- BRUSHED ALUMINUM FACE PLATE ON MOST TYPES
- TYPES B, E, F & G PROVIDE A LARGE SURFACE FOR MOUNTING EXTRA SWITCHES, LIGHTS, VALVES, ETC
- BLACK POWDER COAT FINISH
- WITH OR WITHOUT AIR INSTALLATION KIT
- SYMMETRICAL DESIGN ON TYPES C, D, E, F, G & H FOR MOUNTING ON EITHER SIDE OF DRIVER'S SEAT
- NEW ANGLE MOUNT FOR FLOOR OR DASH

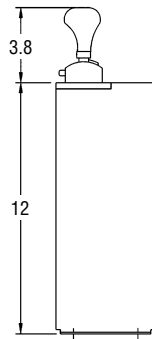
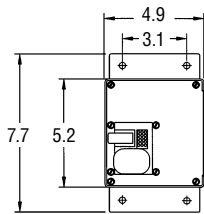
# AIR CONSOLE MODEL NUMBER CONSTRUCTION



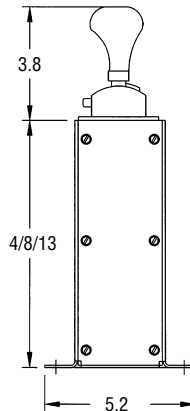
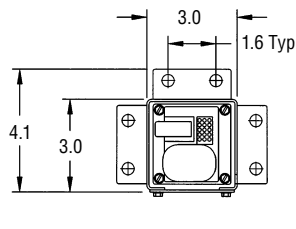
**CONSOLE TYPE A**



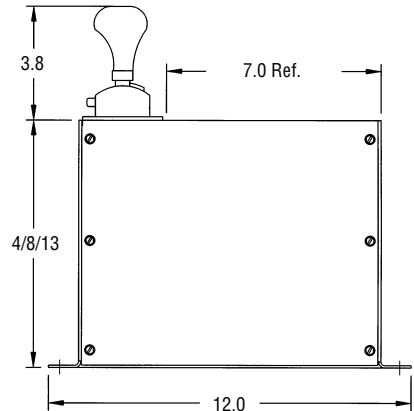
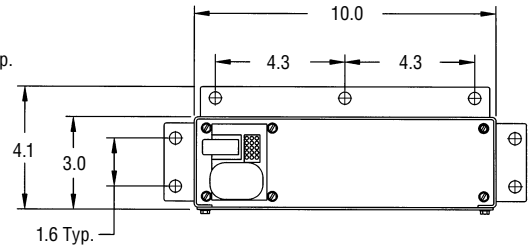
**CONSOLE TYPE B**



**CONSOLE TYPE C/D/H**



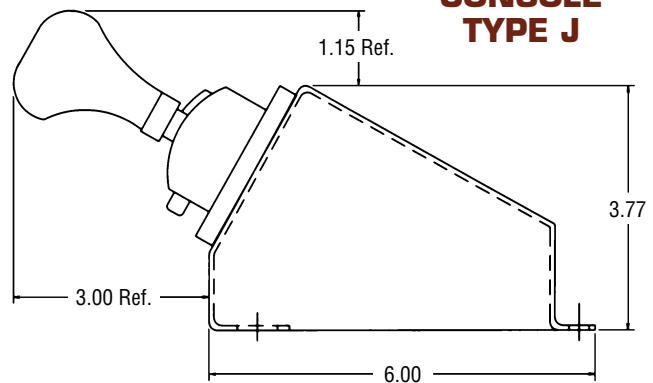
**CONSOLE TYPE E/F/G**



## PTO/PUMP CONTROL

35T38825-AXDX	PTO Auto KO, center detent
35T38825-MXDX	PTO Man KO, center detent
35T38825-AXDD	PTO Auto KO, center & lower detent
35T38825-MXDD	PTO Man KO, center & lower detent
35T38825-ADDD	PTO Auto KO, 3 Pos. detent
35T38825-MDDD	PTO Man KO, 3 Pos. detent

**CONSOLE TYPE J**



MP02-10 (Rev. 10-03) Printed in the U.S.A.  
© Muncie Power Products, Inc. 2003

**Muncie Power Products, Inc.** Member of the Interpump Hydraulics Group  
General Offices and Distribution Center • P.O. Box 548 • Muncie, IN 47308-0548  
(765) 284-7721 • FAX (765) 284-6991 • E-mail info@munciepower.com  
Web site <http://www.munciepower.com>

Drive Products, Inc., Toronto, Exclusive Agents for Canada, a Non-ISO Registered Firm

