



DC POWER PACKS

HYDRAULIC POWER PACKS FOR EQUIPMENT ON THE GO

Muncie Power Products can now provide all of your auxiliary hydraulic power needs with our new DC Power Pack. Muncie Power Products has always been known as the industry leader in providing quality Power Take-Offs and wet line hydraulic systems for the truck equipment industry. We continue that tradition and have broadened our product line with these quality power packs. Quality products with customer service from your Global Mobile Power™ source.



PRODUCT FEATURES

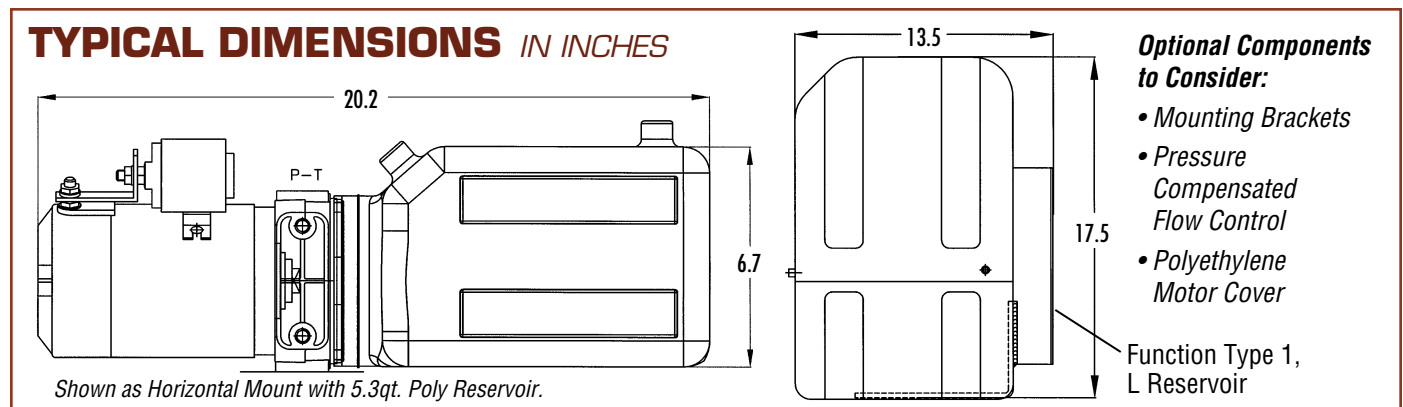
- 5 Standard Function types to choose from.
- Choose from either Steel or translucent Polyethylene reservoirs.
 - Steel: 5 capacity sizes form 2.1qt./{2L to 15.8qt./{15L
 - Poly: 4 capacity sizes from 1.5qt./{1.4L to 10.5qt./{10L
- 6 pumps sizes from .061 cu. In./{1.0cc) to .192 cu.in/{3.15cc)
- 1800W, high capacity 5", 12 VDC electric motor with thermal overload protection standard.
- Assemblies for either horizontal (std.) or vertical mounting.
- Two button 22 Ft. electrical control standard. Optional manual hand valve.
- 60 Micron suction line strainer & 40 micron breather cap standard.
- Numerous Options including polyethylene motor cover, mounting brackets, and pressure compensated flow controls.
- Pre-assembled application specific assemblies available for quick delivery.
- SAE O-ring porting.
- Cast aluminum central manifold.
- Pump check valve standard on most models.
- Machining for cartridges are all SAE industry standards.

APPLICATIONS

- Dump Bodies • Lift Gates • Bale Spikes • Snow Plows • Aerial Lifts • Aerial Ladders • Cranes
- Agriculture Eq. • Material Handling • Auxiliary Power Supply • Man Lifts • Scissors Lift

Custom assemblies can be had by specifying any of the numerous variations available for different pump sizes, reservoir sizes, reservoir types, and valve controls:

- Pump/Motor • Pump/Motor/reservoir assembly • 3 Way valve operation
- 4 way valve operation • Multiple NFPA-DO3 style directional valves



DC POWER PACK STANDARD ASSEMBLIES

All standard units shown below are shipped with horizontal mounting, 2cc pump, polyethylene 5.3qt reservoir, and 12V motor relay, pump check valve, and relief valve except units where noted.

Part Number	Typ. Application	Description
LP1A-0HXX06-000-A	Aux. Power Supply	No Reservoir, no Check, no RV, motor relay
LP1A-2HPJ06-000-A**	Aux. Power Supply Multiple Function	Reservoir, incl. Check and RV, Port manifold to accept NFPA-D03 dir. valves**, has -6 ODT Ports
LP1A-2HPF06-100-C	Snow Plow(basic)	Plow up/dwn, left/right, PO check's, 4 Button electrical control, cross over relief valves, 1.5 qt. poly reservoir
LP1A-3HPJ06-020-C	SA Cylinders	2 pos. 3 way, incl. check, rv, corded control
LP1A-3HPJ06-060-M	Tail Gate(SA Cyl.)	2 Pos. 3 way, incl. check, rv, man. hand control
LP1A-4HPJ06-000-C	DA Cylinders	2 Pos. 4 Way, incl. check, rv, corded control
LP1A-4HPJ06-020-C	Bale Spike(DA Cyl.)	2 Pos. 4 Way, incl. check, rv, PO ck's, corded control
LP1A-4HPK06-100-C	DA Dump Body	3 Pos. 4 Way, incl. check, rv, port rv, cord ctrl, 8.5 qt. Poly
LP1A-1VPL06-000-A**	Aux. Power Supply/ Multi Function	10.5 qt. Poly Reservoir, incl. check, relief valve, and valve enclosure, vertical mounting

**Valve port blocks sold separately (1 required per add on valve). Maximum 3 valves on enclosure style. NFPA-D03 valves sold separately.

DC POWER PACK PART NUMBER CONSTRUCTION

LP 1 A - 4 H P J 06 - 000 C

<p>DC Power Pack — LP</p> <p>Design Number — 1</p> <p>Motor – 12VDC — A</p> <p>Function</p> <p>Pump/Motor only — 0</p> <p>Pump/Motor/Resv./ Enclosure — 1</p> <p>Use mounting position V</p> <p>Pump/Mot/Resv./Manifold Mntg.— 2</p> <p>Pad for multiple functions*</p> <p>Pump/Motor/Resv./3way — 3</p> <p>Pump/Motor/Resv./4way — 4</p> <p>* Mounting plates & valves sold separately unless included in assembly code.</p> <p>Mounting Position</p> <p>Horizontal (Std.) — H</p> <p>Vertical (5.3 & 8.5 qt. Poly only) — V</p> <p>Reservoir Type</p> <p>Steel — S</p> <p>Polyethylene (Std.) — P</p> <p>None — X</p>	<p>Operator Control Device</p> <p>A — No controls</p> <p>C — Corded El. Cntrl.(2 btn.)</p> <p>M — Manual Cntrl.</p> <p>Assembly Code</p> <p>000 — Number increments for variations (ie: 020, 021, 040, 041, etc.)</p> <p>Function affects no.</p> <p>See above for Std. Models.</p> <p>Pump Size</p> <p>03 — 1.00cc/.061 cu.in.</p> <p>04 — 1.25cc/.076 cu.in.</p> <p>05 — 1.60cc/.097 cu.in.</p> <p>06 — 2.00cc/.122 cu.in.(std)</p> <p>07 — 2.50cc/.152 cu.in.</p> <p>08 — 3.15cc/.192 cu.in.</p> <p>Reservoir Size (Note: 4 qts. = 1 Gal./3.78L)</p> <p>X — None</p> <table style="width: 100%;"> <tr> <td>Steel</td> <td>Polyethylene</td> </tr> <tr> <td>A — 2.1 qt.(2L)</td> <td>F — 1.6 qt.(1.5L)</td> </tr> <tr> <td>B — 4.2 qt.(4L)</td> <td>H — 3.2 qt.(3.0L)</td> </tr> <tr> <td>C — 8.4 qt.(8L)</td> <td>J — 5.3 qt.(5L)-Std.</td> </tr> <tr> <td>D — 10.5 qt.(10L)</td> <td>K — 8.5 qt(8L)</td> </tr> <tr> <td>E — 15.8 qt.(15L)</td> <td>L — 10.5 qt. w/enclosure (Function Type 1 only)</td> </tr> </table>	Steel	Polyethylene	A — 2.1 qt.(2L)	F — 1.6 qt.(1.5L)	B — 4.2 qt.(4L)	H — 3.2 qt.(3.0L)	C — 8.4 qt.(8L)	J — 5.3 qt.(5L)-Std.	D — 10.5 qt.(10L)	K — 8.5 qt(8L)	E — 15.8 qt.(15L)	L — 10.5 qt. w/enclosure (Function Type 1 only)
Steel	Polyethylene												
A — 2.1 qt.(2L)	F — 1.6 qt.(1.5L)												
B — 4.2 qt.(4L)	H — 3.2 qt.(3.0L)												
C — 8.4 qt.(8L)	J — 5.3 qt.(5L)-Std.												
D — 10.5 qt.(10L)	K — 8.5 qt(8L)												
E — 15.8 qt.(15L)	L — 10.5 qt. w/enclosure (Function Type 1 only)												



MP03-07 Printed in the U.S.A.
© Muncie Power Products, Inc. 2003

Muncie Power Products, Inc. Member of the Interpump Hydraulics Group
General Offices and Distribution Center • P.O. Box 548 • Muncie, IN 47308-0548
(765) 284-7721 • FAX (765) 284-6991 • E-mail info@munciepower.com
Web site <http://www.munciepower.com>

Drive Products, Inc., Toronto, Exclusive Agents for Canada, a Non-ISO Registered Firm

