

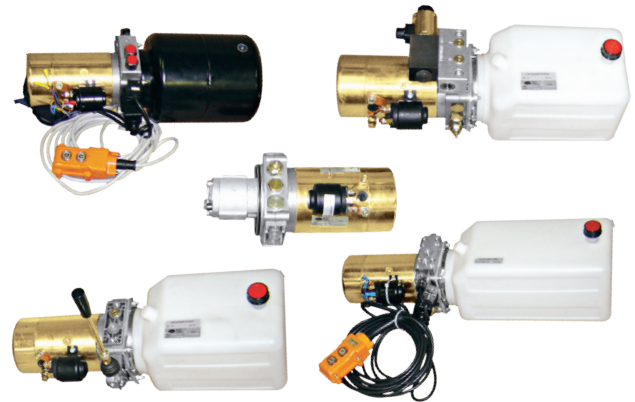
DC POWER PACKS

FOR EQUIPMENT ON THE GO



TAKE CONTROL OF YOUR HYDRAULICS

Muncie Power Products can provide all of your auxiliary hydraulic power needs with our DC Power Packs. Muncie Power Products has always been recognized as your Mobile Power Expert with our complete line of Power Take Offs and Wet Line Hydraulic Systems. We continue that tradition with our line of DC Power Packs for all your auxiliary power needs. Quality Products with customer service from your Global Mobile Power Source.



KEY FEATURES

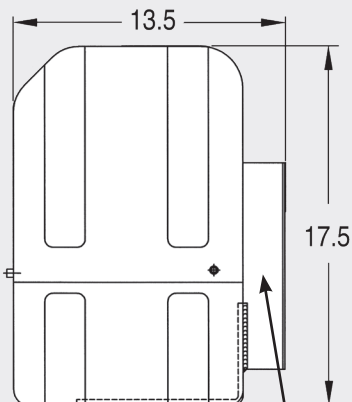
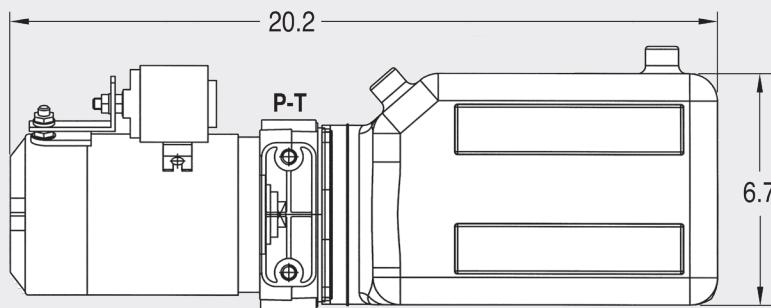
- Standard pre-packaged or custom assemblies
- SAE O-Ring porting
- Horizontal (Std.) or vertical mounting
- 60 Micron suction line strainer & 40 Micron breather cap standard
- Optional polyethylene motor cover, mounting brackets and flow controls
- Steel (5 sizes from 2.1 qt./2L to 15.8 qt./15L) or translucent polyethylene (1.5 qt./1.4L to 10.5 qt./10L) reservoirs
- 12VDC 1800 Watt high capacity motor with thermal overload protection standard
- Large selection of directional valve choices
- 6 pump sizes from .061 cu.in./1.0cc to .192 cu.in./3.15cc
- Two button corded control or manual hand valve operators

DC POWER PACK STANDARD ASSEMBLIES

PART NUMBER	TYP. APPLICATION.	DESCRIPTION
LP1A-0HXX06-000-A	Aux. Power Supply	No reservoir, no check, no relief valve, motor relay
LP1A-2HPJ06-000-A*	Aux. Power Supply	Reservoir, incl. check and relief valve, manifold (will accept NFPA-D03 dir. valves*), has -6 ODT Ports
LP1A-2HPF06-100-C	Snow Plow (basic)	Plow up/dwn, left/right, PO check's, 4 button electrical control, cross over relief valves, 1.5 qt. poly res.
LP1A-3HPJ06-020-C	SA Cylinders	2 pos. 3 Way, incl. check, relief valve, corded control
LP1A-3HPJ06-060-M	Lift Gate (SA Cyl.)	2 Pos. 3 Way, incl. check, relief valve, man. hand control
LP1A-4HPJ06-000-C	DA Cylinders	2 Pos. 4 Way, incl. check, relief valve, corded control
LP1A-4HPJ06-020-C	Bale Spike (DA Cyl.)	2 Pos. 4 Way, incl. check, relief valve, port relief check's, corded control
LP1A-4HPJ06-040-M	DA Cylinders (man.)	3 Pos. 4 Way, incl. check, relief valve, man. hand control
LP1A-4HPK06-100-C	DA Dump Body	3 Pos. 4 Way, incl. check, relief valve, port rv, cord ctrl, 8.5 qt. Poly
LP1A-1VPL06-000-A*	Aux. Power Supply	10.5 qt. Poly Reservoir, incl. check, relief valve, and valve enclosure, vertical mounting

DIMENSIONS

TYPICAL DIMENSIONS IN INCHES



Shown as Horizontal Mount with 5.3 qt. Poly Reservoir.

Function Type 1, L Reservoir

Optional Components to Consider:

- Mounting brackets
- Pressure compensated flow control
- Polyethylene cover

MODEL NUMBER CONSTRUCTION

LP 1 A-4 H P J 06-000 C

DC Power Pack: _____

Design Number: _____

Motor - 12VDC: _____

Function:

- 0 = Pump/Motor only
- 1 = Pump/Motor/Resv./Enclosure
Use mounting position V
- 2 = Pump/Motor/Resv./Manifold Mntg.
*Pad for multiple functions**
- 3 = Pump/Motor/Resv./3way
- 4 = Pump/Motor/Resv./4way

**Mounting plates & valves sold separately unless included in assembly code.*

Mounting Position:

- H = Horizontal (Std.) _____
- V = Vertical (5.3 & 8.5 qt. Poly only)

Reservoir Type:

- S = Steel _____
- P = Polyethylene (Std.) _____
- X = None

Operator Controls:

- A = No controls
- C = Corded El. Cntrl. (2 btn.)
- M = Manual Control.

Assembly Code:

- 000 = Number increments for variations (ie: 020, 021, 040, 041, etc.)

Pump Size

- 03 = 1.00cc/.061 cu.in.
- 04 = 1.25cc/.076 cu.in.
- 05 = 1.60cc/0.97 cu.in.
- 06 = 2.00cc/.122 cu.in. (std.)
- 07 = 2.50cc/.152 cu.in.
- 08 = 3.15cc/.192 cu.in.

Reservoir Size:

- X = None
- Note: 4 qts. = 1 Gal/3.78L

- | | |
|--------------------|------------------------|
| Steel (Type S) | Polyethylene (Type P) |
| A = 2.1 qt.(2L) | F = 1.5qt.(1.4L) |
| B = 4.2 qt.(4L) | H = 3.2 qt.(3.0L) |
| C = 8.4 qt.(8L) | J = 5.3 qt.(5L) - Std. |
| D = 10.5 qt.(10L) | K = 8.5 qt.(8L) |
| E = 15.8 qt.(15L) | L = 10.5 qt. w/encl. |
| S = 8.4 qt.(8L) | (Function Type 1 only) |
| (6.7 in. diameter) | |

Note: Approximate Weight is 32 Lbs. (14.5 Kg) with Std. 5.3 Qt. Poly Reservoir. Add 10 Lbs. (4.5 Kg) for largest 15.8 Qt. Steel Reservoir.

