



DPC2SERIES PTO/PUMP CONTROL CONSOLES

FOR DUMP TRUCKS AND END DUMP TRAILERS

Muncie Power Products, Inc. is pleased to announce our new line of heavy duty cable controls and consoles for use on dump trucks and end dump trailer applications. For easy shifting of the dump pump or PTO through a single or dual tower design. PTO can be shifted via cable, manual air, or through an electrical switch (CS style PTOs). Side panels are pre-punched to accept optional accessory mounting brackets for mounting of tarp controls, tailgate accessory valves, etc.

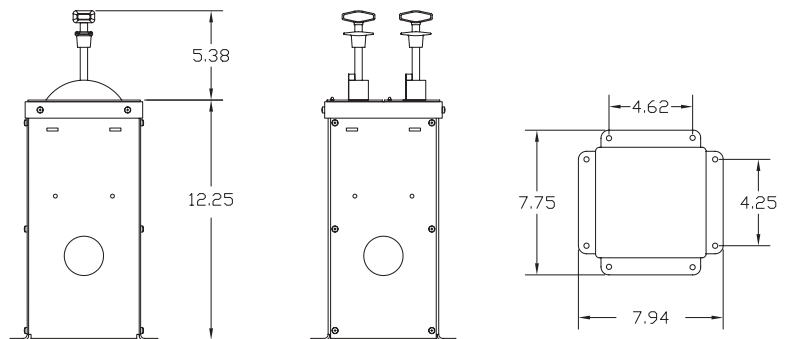
FEATURES:

- Heavy duty control lever with increased leverage for low operator effort
- The top of the control lever is enclosed which prevents foreign objects from entering into the shifter.
- Removable front and rear panels for internal access without having to dismantle the complete console.
- Easy grip Tee handle with pull release locking mechanism, center lock for pump, end lock for PTO "Out"
- Back lit easy to read labels, LED indicators for PTO & Dump raise
- Heavy gauge steel construction with black powder coat finish
- Low friction, high efficiency, heavy duty cables, 8 standard lengths
- 8 Floor mounting holes for a secure mount(Dual design)
- Optional accessory brackets for quick easy attachment with no drilling or welding on tower panels.
- Panel knockouts for routing wiring or air lines to the accessory brackets



BRACKETS (SHOWN L-R)
TARP BRACKET, TAG AXLE BRACKET
and ACCESSORY AIR VALVE BRACKET.

MOUNTING DIMENSIONS:



MODEL NUMBER CONSTRUCTION

DPC 2 2 - C 084 - C 084 - X

<p>Dump Pump Control Console DPC _____</p> <p>Design No. 2 _____</p> <p>Tower Work Stations 1 - Single, 2 - Dual _____</p> <p>PTO Control Head** X - None A - Manual Air Plate C - Cable w/ 5/16- 24 thd.* E - Elec. Switch Plate (CS Style PTOs)</p>	<p>_____</p> <p>_____</p> <p>_____</p> <p>_____</p> <p>_____</p> <p>_____</p>	<p>Special Features X - None</p> <p>Pump Control Cable Length (inches) 000 - No Cable (060, 072, 084, 096, 108, 120, 144, 180)</p> <p>Pump Control Head X - None C - Cable w/ 5/16- 24 thd.*</p> <p>PTO Control Cable Length (inches) 000 - No Cable (060, 072, 084, 096, 108, 120, 144, 180)</p>
---	---	---

*Cable length must be specified. It is typical to stay with the same length cable for both the PTO and Pump control.
**PTO plates accept the standard components shipped with the PTO.
Note: Single consoles can accept up to 2 accessory brackets while the dual console can accept up to 4 accessory brackets.

STANDARD SHIFTER CONTROL AND TOWER ASSEMBLIES

KIT NUMBER	DESCRIPTION
DPC21-X000-C***-X	Single Shifter (Pump Only) Control & Tower Assy, no cables
DPC22-A000-C***-X	Dual Shifter (Manual Air PTO) Control & Tower Assy, no cables
DPC22-C***-C***-X	Dual Shifter (Cable PTO & Pump) Control & Tower Assy, no cables
DPC22-E000-C***-X	Dual Shifter (CS Style PTO & Pump) Control Tower Assy, no cables
DPC22-X000-C***-X	Dual Shifter (No PTO Open Hole, Pump Only) Control & Tower Assy, no cables

ACCESSORY COMPONENTS

PART NUMBER	DESCRIPTION
DPC2L-PTOK1	PTO Cntr. w/ Single Cap
DPC2L-PUMPK1	PUMP Cntr. w/Single Cap
DPC2L-PUMPK2	PUMP Cntr. w/Dual Cap
DPC2CC-HWK	5/16 Cntr. Hardware kit
36T39904K	"A" Man. air PTO plate kit
36T39907K	"E" Elect. switch plate kit (must use with 36T39904)
DPC2B-005K	Blank top plate kit
32T39265	Red L.E.D. indicator

CABLES (3 IN. TRAVEL, 5/16- 24THDS,)***

DPC2CC-060	60 inch
DPC2CC-072	72 inch
DPC2CC-084	84 inch
DPC2CC-096	96 inch
DPC2CC-108	108 inch
DPC2CC-120	120 inch
DPC2CC-144	144 inch
DPC2CC-180	180 inch

***Note: Cables are common to both pump and PTO.
Armor core high efficiency construction

PUMP HOOK UP KITS****

EHKDL	E Series Direct mount(CCW)
EHKDR	E Series Direct mount(CW)
EHKR	E Series Remote mount(Bi-Rot)
BPUGDMCW	S Series SA Direct mount(CW)
BPUGDM	S Series SA Direct mount(CCW)
BPUGD	S Series SA Remote mount(BI-Rot)

ACCESSORY BRACKET KITS****

DPC21B-001	Tarp bracket (for Cole Hersee type switch)
DPC21B -002	Air valve bracket (for Apsco V8 & V88 type air valve)
DPC21B -003	Tag axle bracket

PTO HOOK UP KITS****

47MGM1653	TG Series, 5/16- 24 thd.
-----------	--------------------------

****Items purchased separately, includes mounting hardware.

