



CSGB200-125

Ultra Low Speed Gearbox

for CS6 and CS20 Series PTOs



Muncie Power Products is pleased to announce an Ultra-low Speed Gearbox designed for CS6 and CS20 series PTOs.

The new gearbox lowers output shaft speeds of up to half of the engine speed making it ideal for automatic transmission installations.

Ideal for driving applications such as:

- **WATER**
- **PROPANE**
- **FUEL OIL PUMPS**

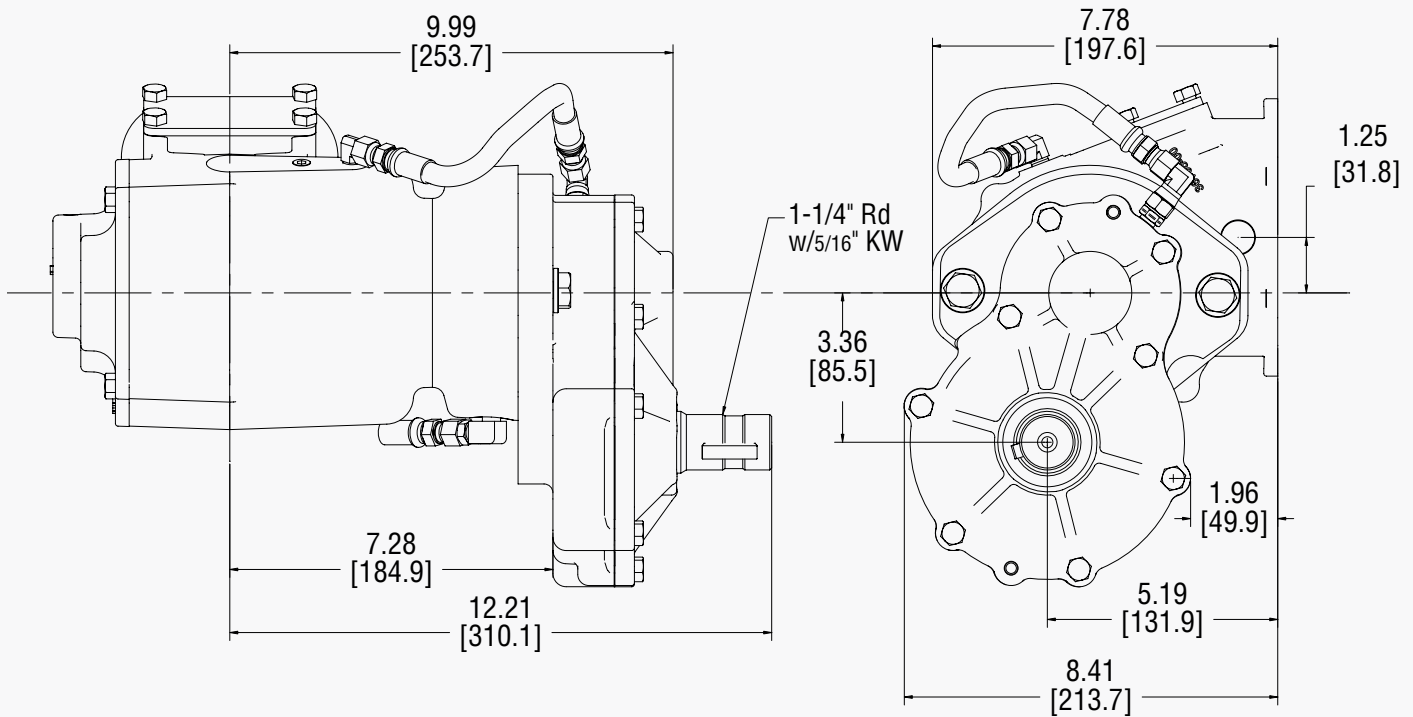
Available with a 1- $\frac{1}{4}$ " round, keyed output shaft that rotates opposite the engine's crankshaft.

For more information
Please contact us at
1-800-FOR-PTOS
1-800-367-7867

CSGB200-125

Ultra Low Speed Gearbox

for CS6 and CS20 Series PTOs



SPECIFICATIONS

- CS6 Series PTO version designed for Allison 1000/2000 Series transmissions
- CS20 Series PTO version designed for Allison 3000 Series transmission
- Internal reduction ratio – 2.06:1
- Output Torque limit – 200 lb.-ft. Intermittent
- Shaft Rotation – Opposite Engine
- Output Shaft – 1-1/4" Round with 5/16" KW
- Pressure lubrication is through the low box and the shaft connection is a wet spline (Lubrication lines are provided)



MP08-04 Printed in the U.S.A.
© Muncie Power Products, Inc. 2008

Muncie Power Products, Inc. Member of the Interpump Hydraulics Group
General Offices and Distribution Center • P.O. Box 548 • Muncie, IN 47308-0548
(765) 284-7721 • FAX (765) 284-6991 • E-mail info@munciepower.com
Web site <http://www.munciepower.com>

Drive Products, Exclusive Agents for Canada, ISO Certified by an Accredited Registrar

