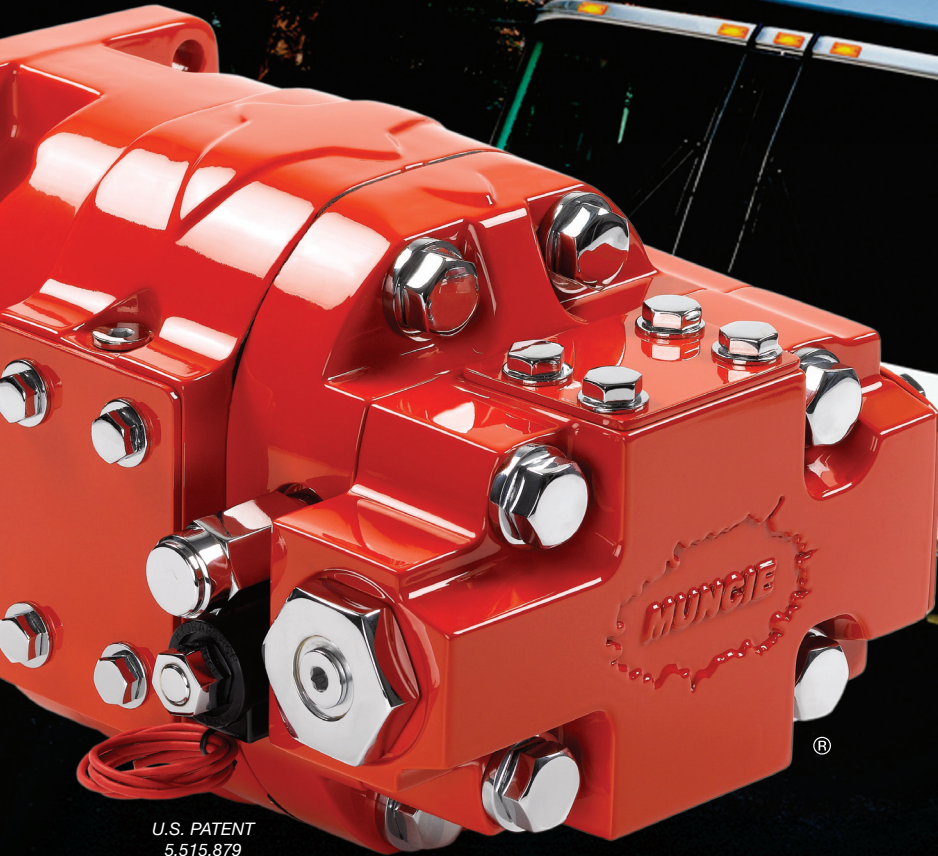




MUNCIE

LIVE PAK

MLS SERIES M PUMP SYSTEM



U.S. PATENT
5,515,879

Proven innovative product design addresses equipment performance, productivity and increases fuel savings.

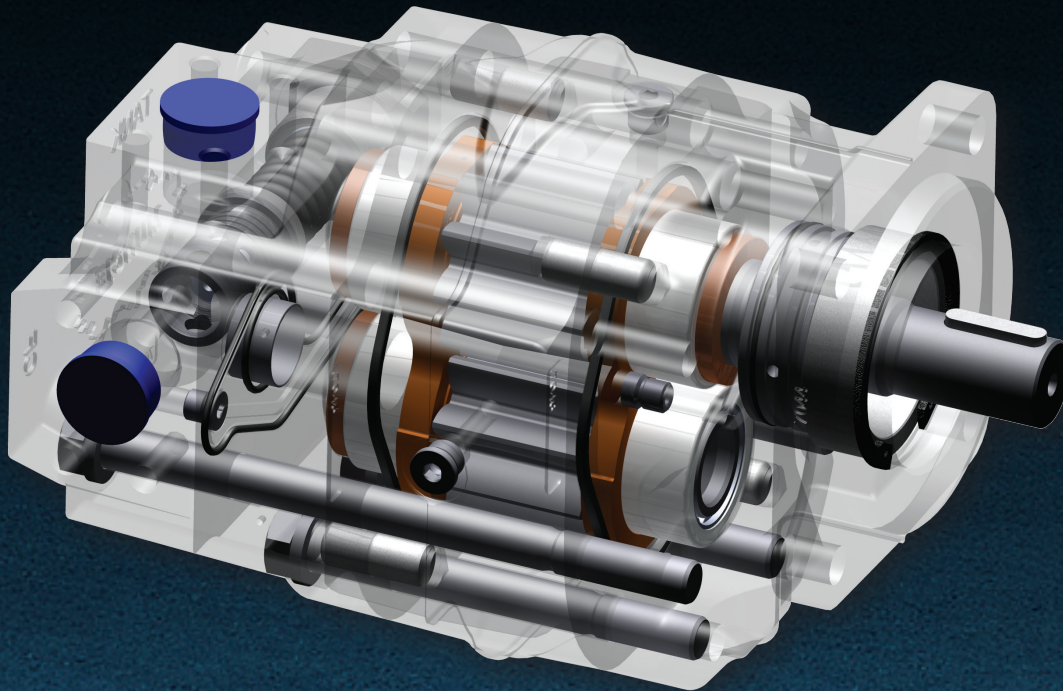
In today's world where time and performance is money the MLS Live Pak System can save you a bundle.

FEATURES

- Improved fuel conservation due to low HP draw with pump unloaded.
- Reduced routes times for increased productivity and increased profits
- Low unload pressures for minimal system heat generation in standby mode.
- Tamper resistant relief valve to prevent operator abuse.
- Improved contamination control due to continuous oil filtration.

"On Demand Power at the Flip of a Switch"

MLSM PUMP CONSTRUCTION



PUMP SPECIFICATIONS

MODEL NUMBER	DISPL. CU IN.(CC)	MAX. RPM	UPLOAD RPM	MIN. RPM	MAX. PSI (BAR)	MAX. INLET VACUUM	APP. WT. LBS (KG)
MLSM 27	6.10 (102)	2500	3000	800	3000 (207)	5 IN HG (.17 BAR)	103 (46.7)
MLSM 31	7.11 (117)	2500	3000	800	3000 (207)	5 IN HG (.17 BAR)	106 (48.0)
MLSM 35	8.20 (132)	2400	2500	800	2750 (190)	5 IN HG (.17 BAR)	108 (49.0)
MLSM 40	9.27 (151)	2300	2500	800	2750 (190)	5 IN HG (.17 BAR)	111 (50.3)
MLSM 44	10.25 (166)	2200	2500	800	2500 (170)	5 IN HG (.17 BAR)	113 (51.2)

Notes: Maximum temperature is 200°F (93°C). Non-adjustable pump safety relief valve.

MODEL NUMBER CONSTRUCTION

MLSM - 27 - 07 C F S L - V - 35

Series

MLSM

GPM (LPM) @ 1000 RPM

Model: 27, 31, 35, 40, 44
(102, 117, 132, 151, 166)

Shaft Type

05—SAE "C" 1-1/4" 14-Tooth Spline
07—SAE "C" 1-1/4" (31.75) Rd.
with 5/16" (7.93) Key

Mounting Flange

C—SAE "C" 4-Bolt
L—SAE "C" 2-Bolt

Port Type

F—Split Flange
1-1/2" Inlet (27) 1-1/4" Outlet (All)
2" Inlet (31,35,40,44) 1-1/4" Bypass (All)

Flow Limiter*

00 — No flow limiter
25 — 25 GPM (95 LPM)
30 — 30 GPM (114 LPM)
35 — 35 GPM (132 LPM)
40 — 40 GPM (151 LPM)
45 — 45 GPM (170 LPM)
50 — 50 GPM (189 LPM)
55 — 55 GPM (208 LPM)
60 — 60 GPM (227 LPM)

Live Pak Valve

V — Live Pak Pump Control

Rotation

R — CW
L — CCW

Port Location

S — Side

*For higher flows call for assistance.



Muncie®
Power
Products