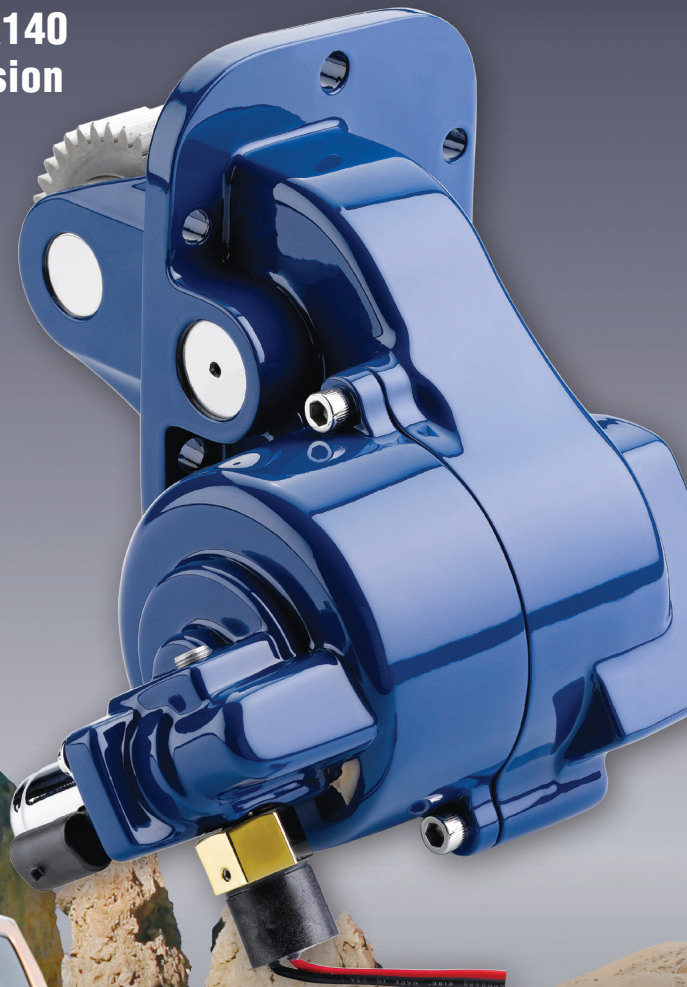


LIVE POWER

MUNCIE[®]

FR66 SERIES PTO

For the NEW Ford 6R140
TorqShift[®] Transmission



- CLUTCH SHIFT
- COMPACT DESIGN
- DUCTILE IRON HOUSING
- EASY TO INSTALL
- OPTIONAL DUAL SWITCH
ALLOWS FOR MOBILE
OR STATIONARY
OPERATION
- DIRECT MOUNT
HYDRAULIC PUMPS
- DRIVESHAFT OPTION
- ENHANCED GEAR
DESIGN FOR QUIET
OPERATION

FR66 SERIES PTO

MODEL NUMBER CONSTRUCTION

FR66 - F12 09 - D 3 N X

MODEL

FORD 6 BOLT — FR66

TRANSMISSION GEAR

FORD 12.18 P — F12

RATIO

0.90:1 — 09

SPECIAL FEATURES

X — NONE

OUTPUT TYPE

B — 1-1/4" ROUND KEY**

N — 3/4" 11T SPL

ASSEMBLY ARRANGEMENT

3

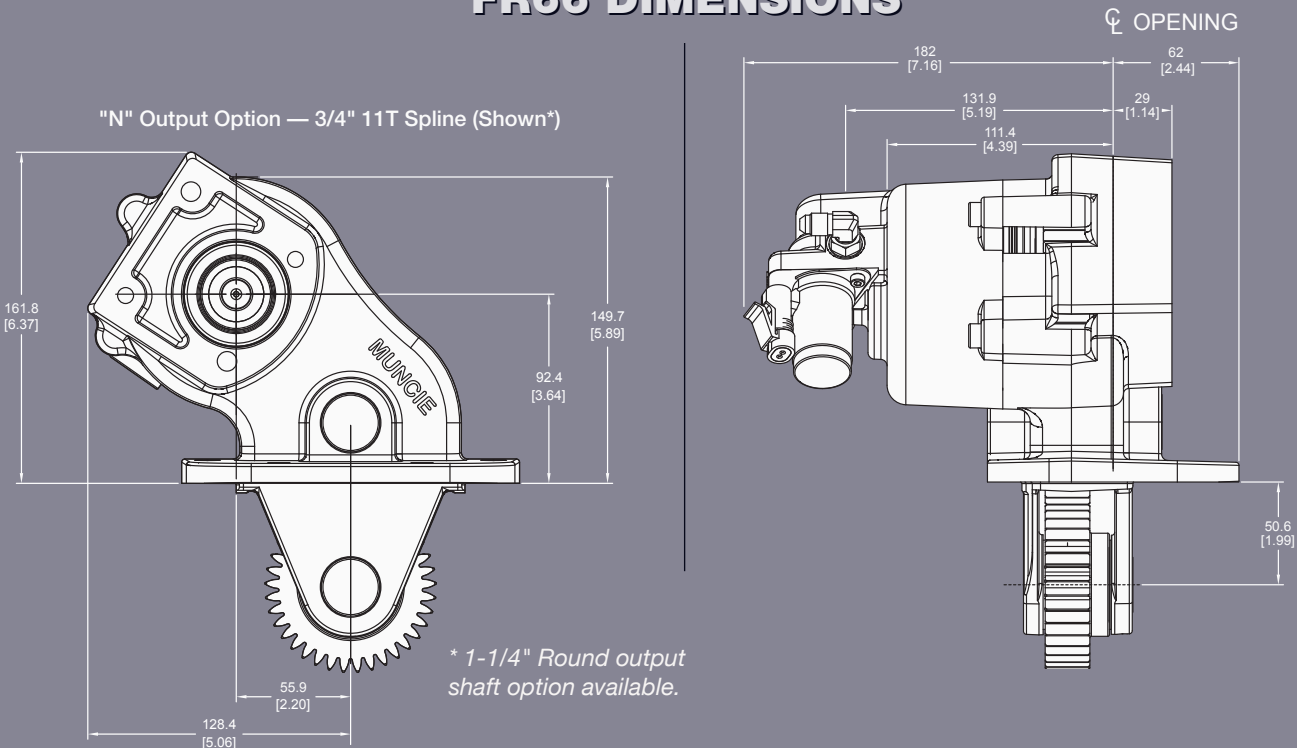
SHIFT TYPE

D — ELEC./HYD. (DIESEL WIRING VERSION)

** Driveline output is not recommended on 4x4 Chassis.

PTO MODEL	% ENG.	ROTATION	SHIFT TYPE	MAX. TORQUE RATING	HP @ 1200 ENG.
FR66-F1209-D3NX	127%	OPP	ELEC./HYD.	200 LB.FT.	57.5 HP

FR66 DIMENSIONS



Direct Mount Pump Use PF4-***-16QSRL Pump Flow @ 1200 ENG. (Theoretical) Ordered Separately.									
PF4-870	13.3 GPM	Roll-Off*	PF4-606	9.2 GPM	PF4-368	5.6 GPM	Auto Loader*	PF4-212	3.2 GPM
PF4-818	12.5 GPM		PF4-502	7.7 GPM	PF4-290	4.4 GPM		PF4-160	2.4 GPM
PF4-714	10.9 GPM	Small Wrecker*	PF4-424	6.5 GPM	PF4-264	4.0 GPM			

Refer to PF4 Product brochure — MP08-06 for Pressure Ratings, Flows, Port Sizes, and other options.

*Common Applications



MP09-13 Printed in the U.S.A.
© Muncie Power Products, Inc. 2010

Muncie Power Products, Inc. Member of the Interpump Hydraulics Group
General Offices and Distribution Center • P.O. Box 548 • Muncie, IN 47308-0548
(765) 284-7721 • FAX (765) 284-6991 • E-mail info@munciepower.com
Web site http://www.munciepower.com

Drive Products, Exclusive Agents for Canada, ISO Certified by an Accredited Registrar