

FR6Q SERIES

POWER TAKE-OFF



THE QUIET PTO SOLUTION FOR FORD

Muncie Power Products' quiet, FR6Q Series power take-off is designed to fit Ford Super Duty trucks, F-350 to F-750, with the Ford 6R140 transmission. Featuring the latest in noise reduction technology, the FR6Q encompasses a noise abatement mechanism that eliminates virtually all gear rattle noise for a quiet power take-off.



TARGET MARKETS

- Dump
- Fire and Rescue
- Refuse
- Snow and Ice
- Tow and Recovery
- Utility

KEY FEATURES

- Fits 4x2 and 4x4 Ford Super Duty trucks, F-650 to F-750, with the Ford 6R140 transmission (may also be used on older F-350 to F-550 trucks)
- Features a patented spring-loaded rocker design. The rocker contains the input gear and controls the internal backlash due to the way the rocker pivots on the idler shaft. This allows the entire assembly to self-adjust, eliminating all backlash and removing virtually all gear rattle noise.
- Special feature for stationary and mobile now available in both gas and diesel
- Solenoid activated
- One-piece installation with rocker
- Preconfigured wiring harness
- Available with **Muncie Start**®—an electronically controlled, modulated clutch engagement system that eliminates torque spikes upon start-up for high-inertia loads

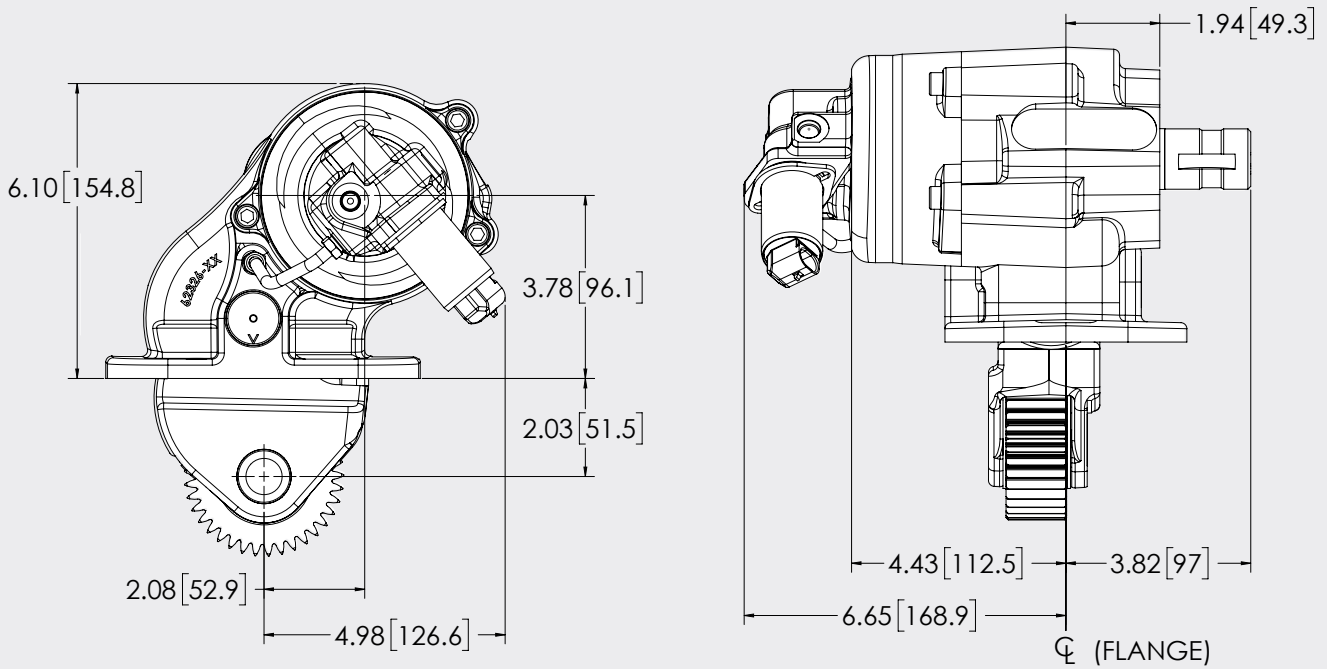
PTO TORQUE & HORSEPOWER RATINGS

SPEED RATIO	INTERMITTENT HP @ 1,000 RPM	INTERMITTENT TORQUE LBS.FT.	CONTINUOUS TORQUE LBS.FT.	INTERMITTENT (KW) @ 1,000 RPM	INTERMITTENT TORQUE (NM)	CONTINUOUS TORQUE (NM)
(09) Stationary	39	200	140	(29)	(271)	(190)
(09) Mobile	22	120*	120	(16)	(162)	(162)

Note: * FR6Q limit in mobile applications continuous intermittent.

Approximate Weight: 35 lbs. (15.9 Kg.)

DIMENSIONS



MODEL NUMBER CONSTRUCTION

FR6Q-F12-09-D-3-Q-X

Model

FR6Q – Ford 6-Bolt Quiet

Transmission Gear

F12 – Ford 6R140

Ratio

09 – .90:1 Output Speed

Shift Types

6 – Elec./Hyd. 2016 & Later F-650–F-750 Diesel Engine
2017 & Later F-250–F-550 Diesel Engine

F – Elec./Hyd. 2016 & Later F-650–F-750 Gas Engine
2017 & Later F-250–F-550 gas engine

D – Elec./Hyd. 2016 & Earlier F-250–F-550 Diesel Engine

G – Elec./Hyd. 2015 & Earlier F-650–F-750 Gas Engine

Special Features

X – None

B – Stationary and Mobile
(Only available on 6, F, and D shift types)

6 – **Muncie Start**® Stationary OR Mobile

7 – **Muncie Start**® Stationary AND Mobile
(Only available on 6, F, and D shift types)

Output Types

B – 1¼" Round Keyed Shaft (4x2 Only)

N – ¾" -11T MPP "N" Pump Mount

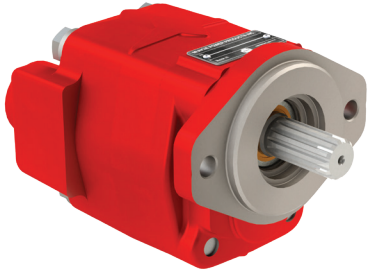
Q – SAE "B" 7/8" -13T, SAE "A" 2-Bolt
(4x2 Only)

T – ¾" -11T, SAE "A" 2-Bolt Spline Shaft,
(4x2 Only)

Assembly Arrangement

3 – Left Side Shaft Low

Note: Driveline output is not recommended on 4x4 chassis.



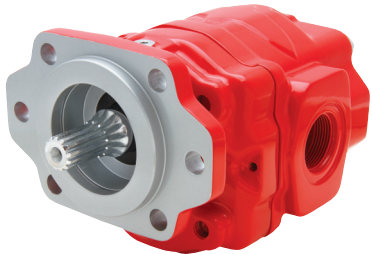
H SERIES

Modifications to the H Series pump rear cover will allow optimum compatibility with FR6Q “Q” mount applications. Enhanced design features, including elimination of side ports and the removal of nearly ½” of material from the suction side of the housing, provide increased clearance of the floorboard.

All standard H Series displacements will be available for FR6Q “Q” mount applications. Each unit will come standard with a SAE “A” 2-bolt mounting flange and 7/8” -13T splined shaft.

MODEL NUMBER	DISPLACEMENT IN ³ (CC)	MAX.* RPM	MIN.* RPM	MAX. PRES PSI (BAR)	INLET (SAE)	OUTLET (SAE)	MAX. INLET VACUUM
PH1-03-02ASRL-M	0.62 (10)	3,500	1,000	3,500 (241)	1.25"	0.75"	5 in.Hg.
PH1-05-02ASRL-M	1.24 (20)	3,500	800	3,500 (241)	1.25"	0.75"	5 in.Hg.
PH1-07-02ASRL-M	1.55 (25)	3,250	800	3,500 (241)	1.25"	0.75"	5 in.Hg.
PH1-08-02ASRL-M	1.86 (30)	3,000	800	3,250 (224)	1.25"	0.75"	5 in.Hg.
PH1-09-02ASRL-M	2.17 (36)	3,000	800	2,900 (200)	1.25"	0.75"	5 in.Hg.
PH1-11-02ASRL-M	2.48 (41)	3,000	800	2,500 (172)	1.25"	0.75"	5 in.Hg.

Note: Use H Series pumps on 4x2 chassis applications only.



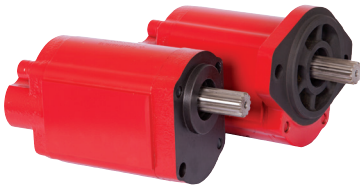
W SERIES

Modifications to the W Series pump housing allow compatibility with the FR6Q “Q” mount on the F-650 to F-750 applications. The W Series robust design allows higher operating pressures than typical gear pump applications.

All standard “W” displacements are available for the FR6Q “Q” mount. Each unit will come standard with a SAE “A” 2-bolt mounting and a 7/8” -13T splined shaft.

MODEL NUMBER	DISPLACEMENT IN ³ (CC)	MAX.* RPM	MIN.* RPM	MAX. PRES PSI (BAR)	PORTS (SAE) SIDE & REAR	PORTS (SF) SIDE ONLY	MAX. INLET VACUUM
W06-02AJ0-GIGI-F14	1.45 (23.9)	3,600	800	4,350 (300)	1.00"	1.50" × 1.00"	5 in.Hg.
W08-02AJ0-GIGI-F14	1.96 (32.2)	3,600	600	4,350 (300)	1.00"	1.50" × 1.00"	5 in.Hg.
W11-02AJ0-GIGI-F14	2.42 (39.7)	3,250	600	4,350 (300)	1.00"	1.50" × 1.00"	5 in.Hg.
W13-02AJ0-GTGT-F14	2.92 (47.9)	3,000	600	4,000 (275)	1.25"	2.00" × 1.25"	5 in.Hg.
W15-02AJ0-GTGT-F14	3.46 (56.8)	2,750	600	3,750 (260)	1.25"	2.00" × 1.25"	5 in.Hg.
W17-02AJ0-GTGT-F14	3.96 (65.0)	2,500	600	3,500 (240)	1.25"	2.00" × 1.25"	5 in.Hg.
W19-02AJ0-GTGT-F14	4.37 (71.6)	2,500	600	3,250 (225)	1.25"	2.00" × 1.25"	5 in.Hg.
W21-02AJ0-GTGT-F14	4.87 (79.8)	2,500	600	3,000 (210)	1.25"	2.00" × 1.25"	5 in.Hg.

Note: Use W Series pumps on F-650–F-750 chassis only.



F SERIES

Ultimate power and performance in a small package best describes the F Series gear pumps. The pressure balanced bushing blocks and sleeve bearings provide both extra long life and high performance.

MODEL NUMBER	DISPLACEMENT IN ³ (CC)	MAX.* RPM	MIN.* RPM	MAX. PRES PSI (BAR)	ODT** INLET REAR	ODT** INLET SIDE	MAX. INLET VACUUM	PUMP FLOW @ 1,200 ENG.(THEORETICAL)
PF4-160	0.37 (06)	3,000	500	3,625 (250)	1 1/16"	1 5/16"	6 in.Hg.	2.4 GPM
PF4-212	0.49 (08)	3,000	500	3,625 (250)	1 1/16"	1 5/16"	6 in.Hg.	3.2 GPM
PF4-264	0.61 (10)	3,000	500	3,625 (250)	1 1/16"	1 5/16"	6 in.Hg.	4.0 GPM
PF4-290	0.73 (12)	3,000	500	3,625 (250)	1 1/16"	1 5/16"	6 in.Hg.	4.4 GPM
PF4-368	0.85 (14)	3,000	500	3,625 (250)	1 1/16"	1 5/16"	6 in.Hg.	5.6 GPM Auto Loader*
PF4-424	0.98 (16)	3,000	500	3,625 (250)	1 1/16"	1 5/16"	6 in.Hg.	6.5 GPM
PF4-502	1.16 (19)	3,000	500	3,625 (250)	1 1/16"	1 5/16"	6 in.Hg.	7.7 GPM
PF4-606	1.40 (23)	2,500	500	3,625 (250)	1 1/16"	1 5/16"	6 in.Hg.	9.2 GPM
PF4-714	1.71 (28)	2,500	500	2,900 (200)	1 1/16"	1 5/16"	6 in.Hg.	10.9 GPM Small Wrecker*
PF4-818	1.83 (30)	2,500	500	2,900 (200)	1 1/16"	1 5/16"	6 in.Hg.	12.5 GPM
PF4-870	2.01 (33)	2,500	500	2,320 (160)	1 1/16"	1 5/16"	6 in.Hg.	13.3 GPM Roll-Off*

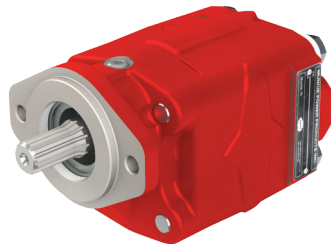
Notes:

* Maximum RPM shown at 0 In.Hg. Vacuum for -16 side inlet port.

** Port thread size shown

For Ford TorqShift® 4x4 applications, order pump code PF4-*** -16QSRL. PF4-502 & larger pump sizes are not applicable on Ford TorqShift® gas 4x4 application. Maximum oil temperature is 200° F (93.5° C). Buna N seals are standard.

Note: *Common Applications



K SERIES

The K Series standard gear housing will be replaced with the S Series gear housing for use on FR6Q "Q" mount applications. Elimination of side ports on the "S" gear housing significantly reduces overall width of the pump. This reduction provides increased clearance of the floorboard.

Only the 6, 13, and 17 GPM K Series models will be available for FR6Q "Q" mount applications due to the limited amount of S displacements. Each unit will come standard with a SAE "A" 2-bolt mounting flange and 7/8" -13T splined shaft.

MODEL NUMBER	DISPLACEMENT IN ³ (CC)	MAX.* RPM	MIN.* RPM	MAX. PRES PSI (BAR)	INLET	OUTLET (SAE)	MAX. INLET VACUUM
PK1-06-02ACRL-M	1.47 (24)	3,600	600	3,000 (207)	1.00" (NPT)	1.00"	5 in.Hg.
PK1-06-02ASRL-M	1.47 (24)	3,600	600	3,000 (207)	1.00" (SAE)	1.00"	5 in.Hg.
PK1-13-02ACRL-M	2.96 (48)	2,500	600	3,000 (207)	1.00" (NPT)	1.00"	5 in.Hg.
PK1-13-02ASRL-M	2.96 (48)	2,500	600	3,000 (207)	1.00" (SAE)	1.00"	5 in.Hg.
PK1-17-02ACRL-M	3.94 (65)	2,500	600	2,500 (172)	1.00" (NPT)	1.00"	5 in.Hg.
PK1-17-02ASRL-M	3.94 (65)	2,500	600	2,500 (172)	1.00" (SAE)	1.00"	5 in.Hg.

Note: *Use K Series pumps on 4x2 chassis applications only.



A Member of the Interpump Group

MP16-07 (Rev. 9-22)

201 East Jackson Street, Muncie, Indiana 47305
800-367-7867 • Fax: 765-284-6991 • info@munciepower.com

Specifications are subject to change without notice. Visit www.munciepower.com for warranties and literature. All rights reserved. © Muncie Power Products, Inc. (2017)