

RS4S-P81/P84 SERIES

REAR PTO EATON ENDURANT AND PACCAR TX-12



PTO FOR REAR OPENINGS OF EATON ENDURANT HD

The RS4S-P81Z and RS4S-P84Z Series PTOs are for the rear opening on the 12-speed Eaton Endurant HD transmission. The PTOs are pneumatic shifted and available with 1310 Series companion flange or DIN direct mount pump flange. Applications include:

- Bulk oil tankers
- PTO/Pump applications
- Product pump applications
- Dual purpose applications



KEY FEATURES

- Rear opening (curbside) mounted PTO
- Two PTO series available
 - ♦ RS4S-P81Z direct drive, mechanical shift PTO
 - ♦ RS4S-P84Z Series is a mechanical shift with internal gear ratio options for optional output shaft speeds
- Ease of installation
- Standard PTO series for service parts and availability
- Pneumatic mechanical shift
- Hydraulic pump mount DIN standard
- Durable, proven PTO design
- RS4S-P84 Series mounts vertical or horizontal

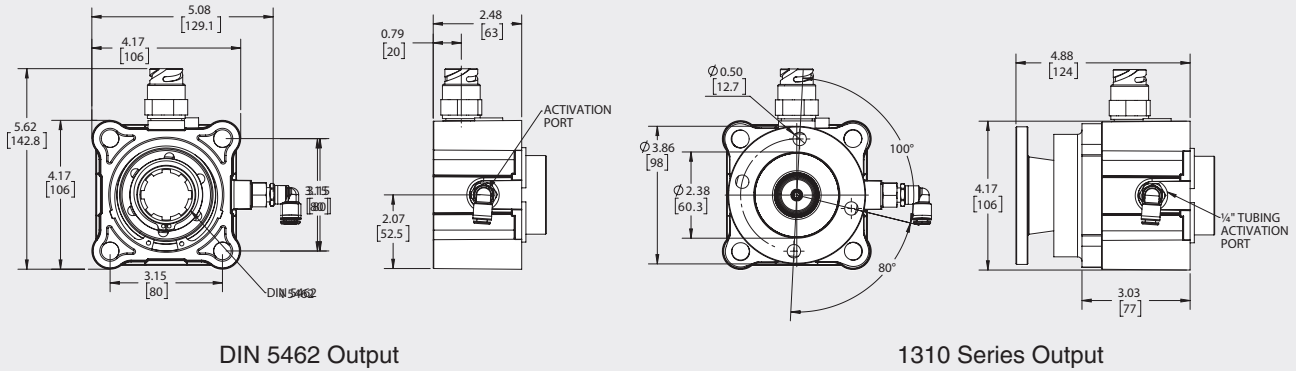
PTO TORQUE & HORSEPOWER RATINGS

PTO SERIES	INTERMITTENT HP (KW) @ 1,000 RPM	INTERMITTENT TORQUE LBS.FT. (NM)	ENGINE %	SPEED RATIO	ROTATION
RS4S-P81Z2	84 (63)	442 (600)	137	1:1	OPP
RS4S-P84Z2	57 (44)	300 (406)	177	1.29:1	CRANK
RS4S-P84Z4	70 (42)	369 (500)	126	.92:1	CRANK

Approximate Weights: P81: 17 lbs. (7.7 Kg.)
P84: 23 lbs. (11Kg.)

DIMENSIONS

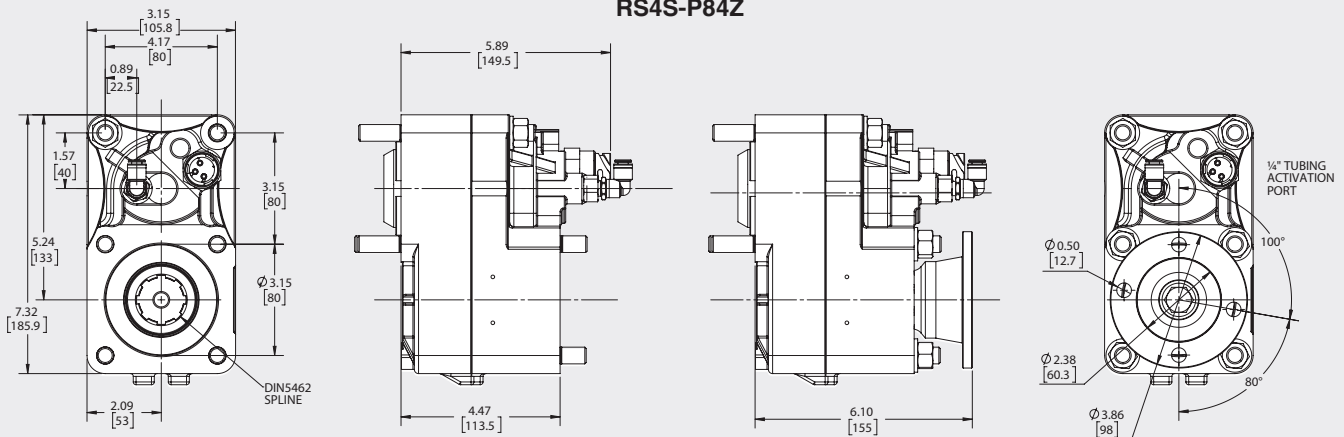
RS4S-P81Z



DIN 5462 Output

1310 Series Output

RS4S-P84Z



DIN 5462 Output

1310 Series Output

MODEL NUMBER CONSTRUCTION

RS4S-P84Z4-P-1-C-X

Model

RS4S — Rear Mount PTO 4-Bolt

Mounting Types

P81Z2 — Direct Through Drive
 P84Z2 — Internal Gear Ratio
 P84Z4 — Internal Gear Ratio

Ratios

1:1
 1.29:1
 .92:1

Shift Types

P — Air Shift Less Activation Controls
 E — Electric/Air 12 V

Special Feature

X — No Options

Output Types

C — 1310 Companion Flange
 I — DIN 5462 Euro
 K — SAE "B" 7/8" -13T, SAE "B" 2- & 4-Bolt
 P — SAE "BB" 1" -15T, SAE "B" 2 & 4-Bolt

Assembly Arrangement

1 — Standard



A Member of the Interpump Group

MP19-01 (Rev. 05-22)

201 East Jackson Street, Muncie, Indiana 47305
 800-367-7867 • Fax: 765-284-6991 • info@munciepower.com

Specifications are subject to change without notice. Visit www.munciepower.com for warranties and literature. All rights reserved. © Muncie Power Products, Inc. (2019)