

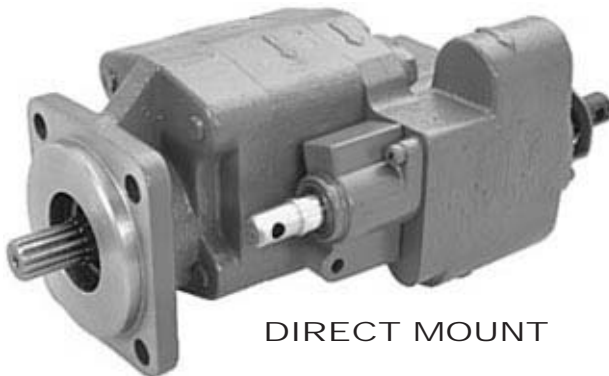


S SERIES HOIST PUMPS

to control small dump body cylinders



REMOTE MOUNT



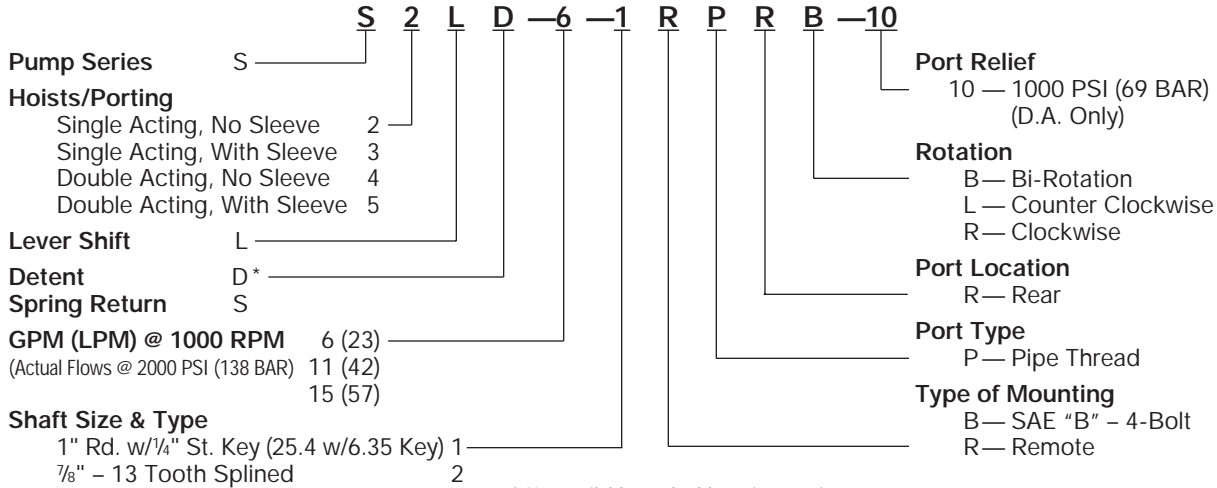
DIRECT MOUNT

- Two integral valve versions available, specify for use with single or double acting hoist
- Speeds to 2500 RPM
- Pressures to 3000 PSI (207 BAR)
- Lever Shift (Detent or spring return)
- Optional Air Shift, Cable Shift
- Pump capacities: 6, 11, 15 GPM (23, 42, 57 LPM) @ 1000 RPM, 2000 PSI (138 BAR)
- Pumps can be used with recommended separate return line (Specify with sleeve for this system that allows the use of a return line filter)
- Heavy duty roller bearings
- Cast iron construction – fully rebuildable
- One year warranty
- Lower work port relief standard

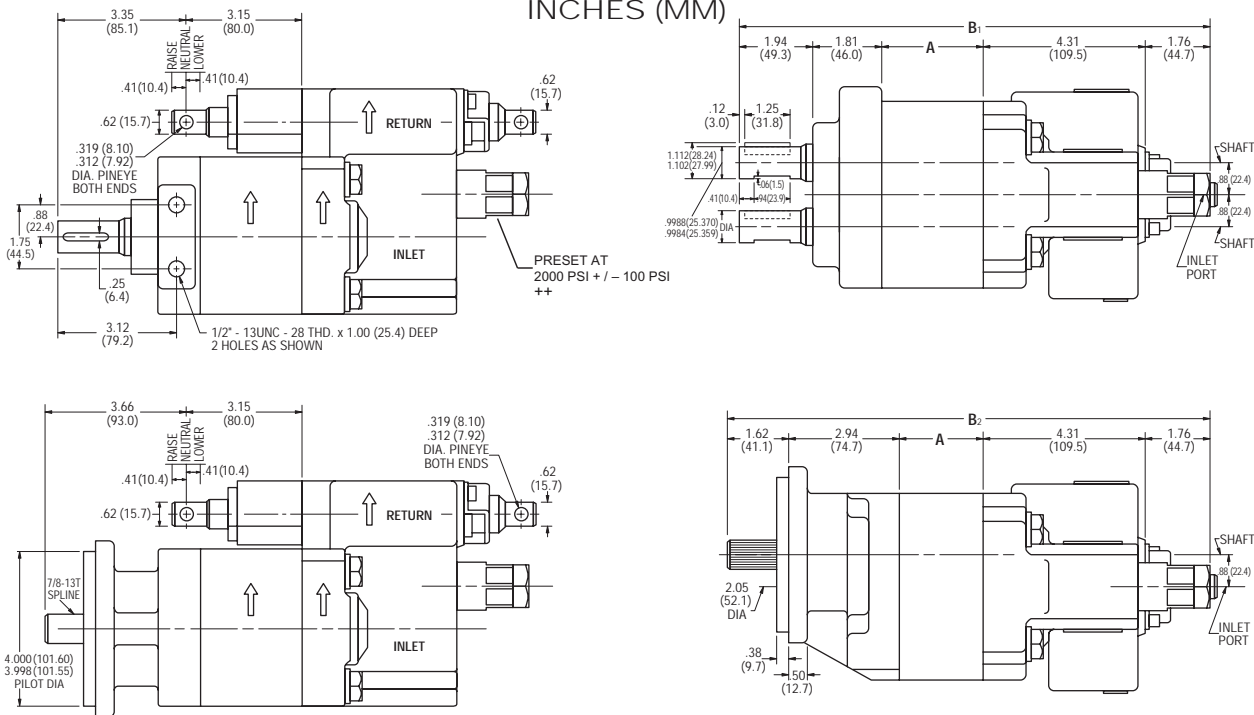
*Note: Intermittent duty cycles only.
Not recommended for constant/
continuous applications.*

MUNCIE (S SERIES) HOIST PUMPS

MODEL NUMBER CONSTRUCTION



MOUNTING DIMENSION SINGLE ACTING

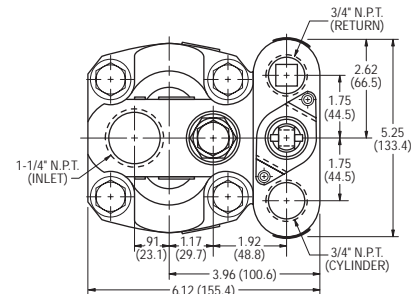


OVERALL LENGTHS

PUMP SIZE	DIM A IN (MM)	DIM B ₁ IN (MM)	DIM B ₂ IN (MM)	WEIGHT LB (KG)	MAX PSI (BAR)
6	1.50 (38.1)	11.32 (287.5)	12.12 (307.8)	32 (14.5)	3000 (207)**
11	2.25 (57.2)	12.07 (306.6)	12.88 (327.2)	35 (15.9)	3000 (207)**
15	2.75 (69.9)	12.57 (319.3)	13.38 (339.9)	38 (17.2)	2500 (172)

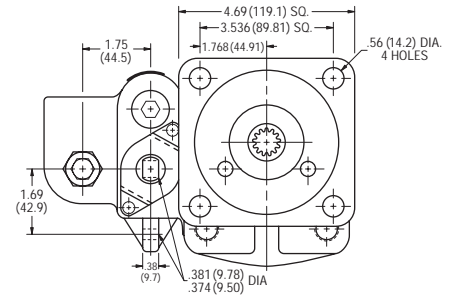
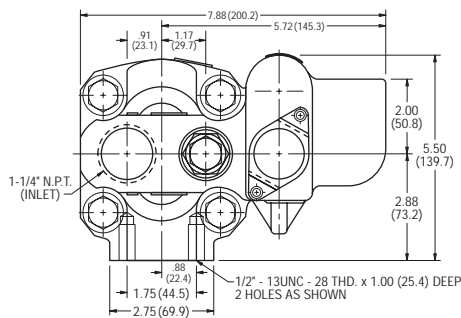
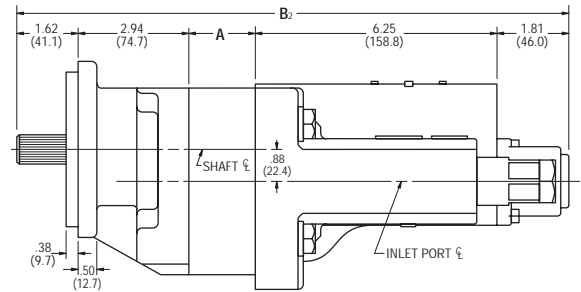
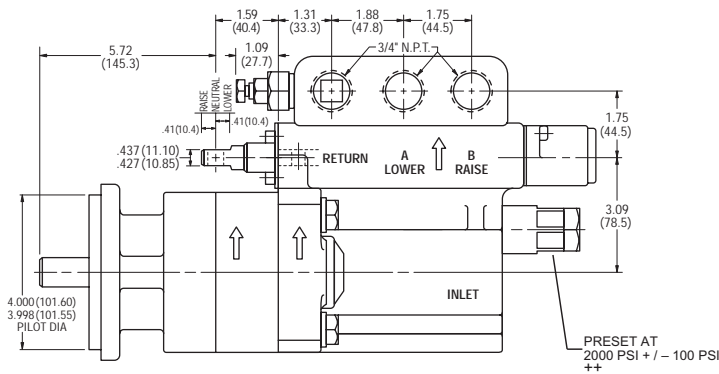
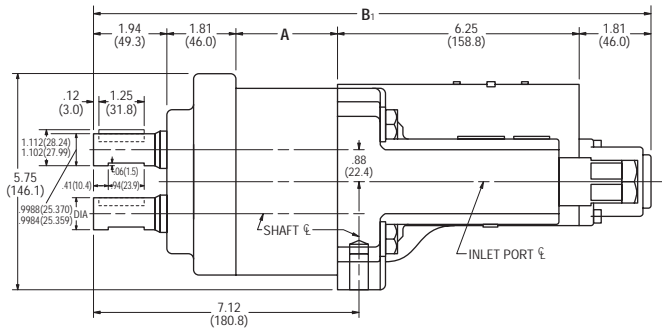
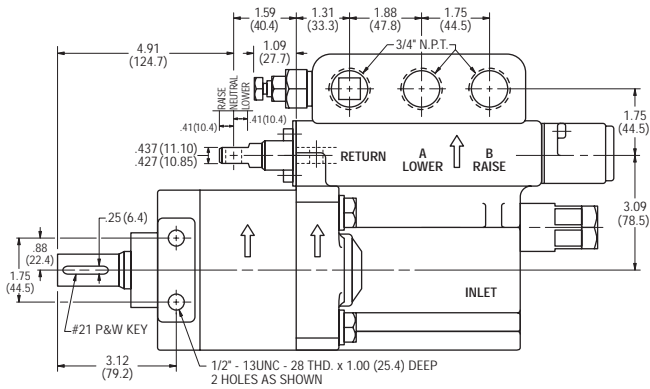
** Requires high pressure relief PS-1231VH for settings above 2500 PSI

- Notes:**
- DO NOT USE TEFLON TAPE ON PORTS.
 - Optional Air Shift Cylinder (ACM-400).
 - Optional Conversion Sleeve for 3-Line Hookup - Muncie Part No. AA1257.
 - Tank return line must be below oil level at all times.
 - Maximum inlet vacuum is 5 in. hg. (.17 BAR).
 - ++ Units built Nov. 2002 and later have a screw adjustable main relief valve.



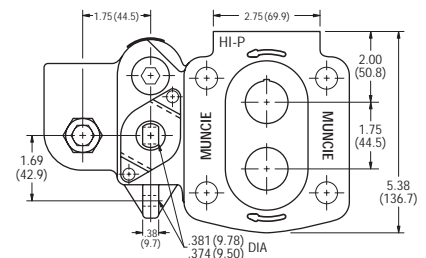
MOUNTING DIMENSION DOUBLE ACTING

INCHES (MM)



OVERALL LENGTHS					
PUMP SIZE	DIM A IN (MM)	DIM B ₁ IN (MM)	DIM B ₂ IN (MM)	WEIGHT LB (KG)	MAX PSI (BAR)
6	1.50 (38.1)	13.31 (338.1)	14.12 (358.6)	48 (21.8)	3000 (207)**
11	2.25 (57.2)	14.06 (357.1)	14.88 (378.0)	50 (22.7)	3000 (207)**
15	2.75 (69.9)	14.56 (369.8)	15.38 (390.7)	52 (23.6)	2500 (172)

** Requires high pressure relief PS-1231VH for settings above 2500 PSI



Notes: DO NOT USE TEFLON TAPE ON PORTS.
 Optional Air Shift Cylinder (ACM-401).
 Optional Conversion Sleeve for 3-Line Hookup – Muncie Part No. AA1257.
 Tank return line must be below oil level at all times.
 Maximum inlet vacuum is 5 in. hg. (.17 BAR).
 ++ Units built Nov. 2002 and later have a screw adjustable main relief valve.

S - SERIES PUMP WARRANTY

THE MUNCIE CAST IRON/ROLLER BEARING PUMP SERIES "S" IS WARRANTED AGAINST ANY DEFECT IN MATERIAL AND WORKMANSHIP WHICH EXISTED AT THE TIME OF SALE BY MUNCIE, ACCORDING TO THE FOLLOWING PROVISIONS, SUBJECT TO THE REQUIREMENTS THAT THE PUMP MUST BE USED ONLY IN ACCORDANCE WITH CATALOGUE AND PACKAGE INSTRUCTIONS, AND THE WARRANTY CARD MUST BE FILLED OUT AND RETURNED TO MUNCIE WITHIN TEN DAYS AFTER THE PUMP IS INSTALLED.

THE PUMP IS WARRANTED FOR A PERIOD OF ONE YEAR FROM DATE OF INSTALLATION. IF DURING THE WARRANTY PERIOD THE PUMP FAILS TO OPERATE TO MUNCIE'S SPECIFICATIONS DUE TO A DEFECT IN ANY PART IN MATERIAL OR WORKMANSHIP THAT EXISTED AT THE TIME OF SALE BY MUNCIE, THE DEFECTIVE PART WILL BE REPAIRED OR REPLACED, AT MUNCIE'S ELECTION, AT NO CHARGE, IF THE DEFECTIVE PART IS RETURNED TO MUNCIE WITH TRANSPORTATION PREPAID.

WARNING. THE ABOVE WARRANTY SHALL TERMINATE IF ANY ALTERATIONS OR REPAIRS ARE MADE TO THE PUMP OTHER THAN AT A SERVICE CENTER OWNED BY MUNCIE, OR IF THE PUMP IS USED UPON ANY EQUIPMENT OTHER THAN THE EQUIPMENT UPON WHICH IT IS FIRST INSTALLED.

AS TO ANY CAST IRON/ROLLER BEARING PUMP SERIES "S" WHICH IS REBUILT AND RETESTED AT A SERVICE CENTER OWNED BY MUNCIE, THE PERIOD OF THE ABOVE WARRANTY IS EXTENDED FOR A PERIOD OF ONE ADDITIONAL YEAR FROM THE RETEST DATE.

THE FOREGOING WARRANTIES ARE IN LIEU OF ALL OTHER OBLIGATIONS AND LIABILITIES, INCLUDING NEGLIGENCE AND ALL WARRANTIES OF MERCHANTABILITY AND SUITABILITY, EXPRESSED OR IMPLIED AND STATE MUNCIE'S ENTIRE AND EXCLUSIVE LIABILITY AND BUYER'S EXCLUSIVE REMEDY FOR ANY CLAIM OF DAMAGES IN CONNECTION WITH THE SALE, REPAIR OR REPLACEMENT OF THE ABOVE GOODS, THEIR DESIGN, INSTALLATION OR OPERATION. MUNCIE WILL IN NO EVENT BE LIABLE FOR ANY DIRECT, INDIRECT, SPECIAL, INCIDENTAL OR CONSEQUENTIAL DAMAGES WHATSOEVER, AND OUR LIABILITY UNDER NO CIRCUMSTANCES WILL EXCEED THE CONTRACT PRICE FOR THE GOODS FOR WHICH LIABILITY IS CLAIMED.

Distributed By:



**Muncie[®]
Power
Products**

MP93-01 (Rev. 7-06) Printed in the U.S.A.
© Muncie Power Products, Inc. 2006

Muncie Power Products, Inc. *Member of the Interpump Hydraulics Group*
General Offices and Distribution Center • P.O. Box 548 • Muncie, IN 47308-0548
(765) 284-7721 • FAX(765) 284-6991 • E-mail info@munciepower.com
Web site <http://www.munciepower.com>

Drive Products, Exclusive Agents for Canada, ISO Certified by an Accredited Registrar

