



# F1 SERIES CLUTCH PUMP

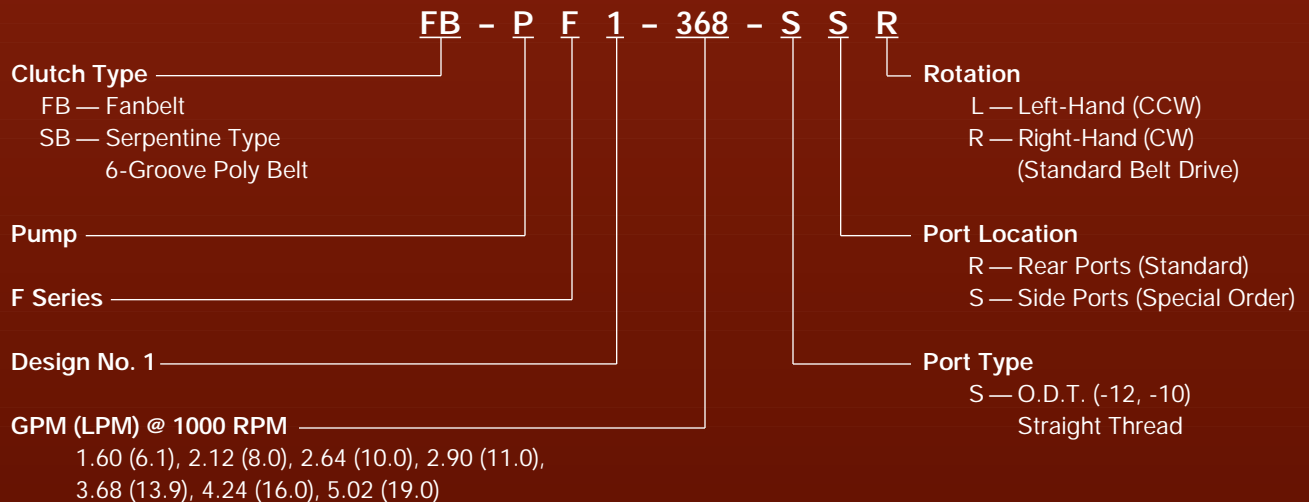
Muncie Power Products, the industry's leader in engine driven clutch pumps and mounting kits, introduces the F1 Series. The F1 is a high quality, complete assembly package designed to meet all your needs without extra hidden cost or modifications. Designed exclusively for those low flow, high pressure applications, the F1 provides high performance from a small package.



## PUMP FEATURES

- SEVEN STANDARD SIZES
- PRESSURES TO 4000 PSI (276 BAR)
- SPEEDS TO 4000 RPM
- SOLID ONE PIECE SHAFT
- DOWEL PIN CONSTRUCTION
- 12 VDC 32 HP CLUTCH
- PRESSURE BALANCED WEAR BLOCKS
- ROCKER SWITCH WITH LIGHT, WIRING AND VEHICLE PROTECTION HARNESS KIT INCLUDED
- SAE STRAIGHT THREAD O-RING PORTS ON EITHER SIDE OR REAR
- SLEEVE TYPE BUSHINGS
- FULL ONE YEAR WARRANTY

## MODEL NUMBER CONSTRUCTION



# CLUTCH PUMP SPECIFICATIONS

MODEL NO.	DISPL. CU IN (CC)	MAX RPM	MIN RPM	MAX PSI (BAR)	MAX OIL TEMP.	MAX INLET VACUUM	APPROX WEIGHT LBS (KG)
PF1-160	0.37 (6)	4000	500	4000 (276)	200°F (93°C)	6 IN. HG. (.20 BAR)	18.95 (8.50)
PF1-212	0.49 (8)	4000	500	4000 (276)	200°F (93°C)	6 IN. HG. (.20 BAR)	19.12 (8.67)
PF1-264	0.61 (10)	3600	500	4000 (276)	200°F (93°C)	6 IN. HG. (.20 BAR)	19.28 (8.74)
PF1-290	0.67 (11)	3600	500	4000 (276)	200°F (93°C)	6 IN. HG. (.20 BAR)	19.38 (8.78)
PF1-368	0.85 (14)	3300	500	4000 (276)	200°F (93°C)	6 IN. HG. (.20 BAR)	19.64 (8.91)
PF1-424	0.98 (16)	3000	500	4000 (276)	200°F (93°C)	6 IN. HG. (.20 BAR)	19.81 (8.98)
PF1-502	1.16 (19)	3000	500	4000 (276)	200°F (93°C)	6 IN. HG. (.20 BAR)	20.70 (9.39)

Inlet Ports: -12 O.D.T. Straight Thread (1-1/16-12 UNF) Outlet Ports: -10 O.D.T. Straight Thread (7/8-14 UNF)

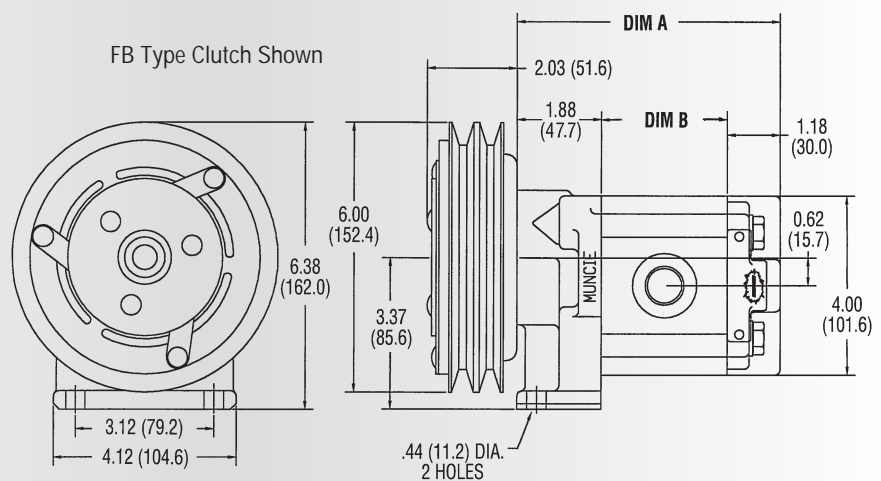
# CLUTCH PUMP OUTPUT FLOW RATE

MODEL NO.	1000 RPM	1200 RPM	1500 RPM	1800 RPM	2400 RPM
PF1-160	1.5 (9)	1.8 (7)	2.2 (8)	2.7 (10)	3.7 (14)
PF1-212	1.9 (7)	2.4 (9)	3.0 (11)	3.6 (13)	4.9 (18)
PF1-264	2.4 (9)	2.9 (11)	3.7 (14)	4.5 (17)	6.1 (23)
PF1-290	2.6 (10)	3.2 (12)	4.0 (15)	4.9 (18)	6.7 (25)
PF1-368	3.2 (12)	3.9 (15)	5.0 (19)	6.2 (23)	8.4 (32)
PF1-424	4.0 (15)	4.8 (18)	6.0 (23)	7.3 (28)	9.8 (37)
PF1-502	4.7 (18)	5.7 (22)	7.2 (27)	8.7 (33)	11.7 (44)

Flow Rate Tested at 2500 PSI (172 BAR), Measured in GPM (LPM)

# MOUNTING DIMENSIONS

MODEL NO.	OVERALL DIM A IN (MM)	GEAR SECT. DIM B IN (MM)
PF1-160	5.10 (129.5)	2.04 (51.8)
PF1-212	5.22 (132.6)	2.16 (54.9)
PF1-264	5.34 (135.6)	2.28 (57.9)
PF1-290	5.40 (137.1)	2.34 (59.4)
PF1-368	5.57 (141.5)	2.52 (64.0)
PF1-424	5.70 (144.8)	2.64 (67.0)
PF1-502	5.87 (149.1)	2.82 (71.6)



Muncie Power Products, Inc. General Offices & Distribution Center • P.O. Box 548 • Muncie, IN 47308-0548  
 (765) 284-7721 • FAX (765) 284-6991 • E-mail info@munciepower.com • Web http://www.munciepower.com  
 Drive Products, Inc., Toronto, Exclusive Agents for Canada\*

