

# E/EH SERIES DUMP PUMPS



# E/EH SERIES DUMP PUMPS

---

FOR DECADES, THE MUNCIE E SERIES DUMP PUMP DESIGN HAS BEEN THE STANDARD FOUND AS ORIGINAL EQUIPMENT ON NEARLY ALL DUMP BODIES. THE DUMP PUMP, OR PUMP AND VALVE COMBINATION, HAS SUCCESSFULLY PROVIDED HYDRAULIC POWER FOR DUMP TRUCKS AND TRAILER DUMPS IN EVERY CONCEIVABLE APPLICATION.

THE EH SERIES PUMP HAS BEEN DESIGNED WITH MANY ENHANCED CAPABILITIES: LARGER INLET TO PROTECT THE PUMP AGAINST CAVITATION, LARGER RETURN PORT TO REDUCE BACK PRESSURE IN 3-LINE INSTALLATIONS WHICH PROVIDES BETTER CYCLE TIME, BETTER BEARING LIFE, AND IMPROVED RELIEF VALVE TO PROTECT BOTH THE CYLINDER AND THE PUMP. IF YOU REQUIRE INCREASED FLOW RATES TO POWER LARGER EQUIPMENT WITH LARGER CYLINDERS, THEN THE EH SERIES HAS THE PROPER SIZE PUMP FOR YOU. ALL OF THESE FEATURES MAKE IT THE DUMP PUMP TO USE HEADING INTO THE 21ST CENTURY.

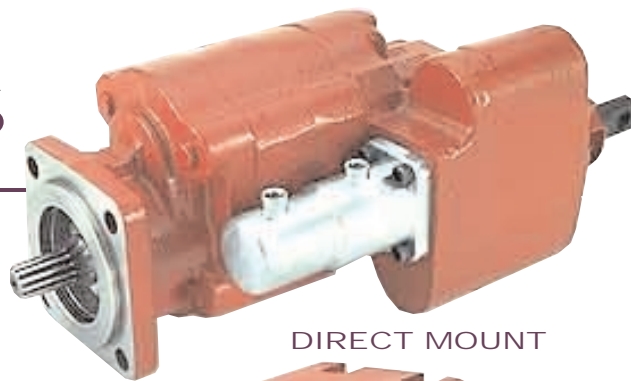
WHETHER IT'S FOR NEW EQUIPMENT OR TO GIVE NEW LIFE TO EXISTING EQUIPMENT, THE MUNCIE E/EH SERIES PUMPS WILL PROVIDE THE SOLID PERFORMANCE AND HYDRAULIC RELIABILITY NEEDED FOR YOUR FLEET.

## WHY USE A 3-LINE DUMP SYSTEM?

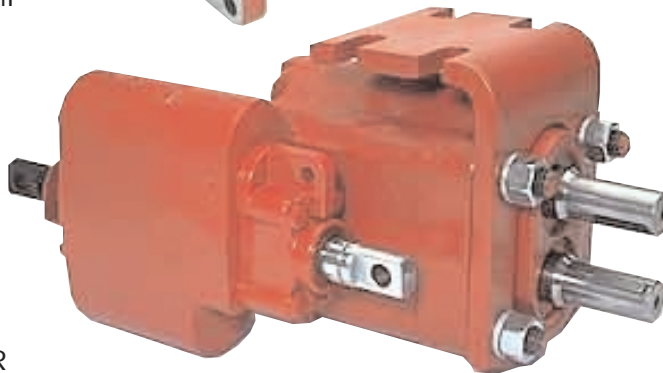
MANY DUMP BODIES FUNCTION QUITE ADEQUATELY WITH A 2-LINE DESIGN. HOWEVER, A 3-LINE SYSTEM INCLUDES A SEPARATE LINE TO RETURN HYDRAULIC OIL FROM THE CYLINDER DIRECTLY TO THE RESERVOIR INSTEAD OF PASSING OVER THE PUMP RELIEF.

THE SEPARATE LINE IS RECOMMENDED WHEN USED FOR ROAD BUILDING OR STOCKPILING MATERIAL BECAUSE THE 3-LINE PUMP ALLOWS FASTER DOWN CYCLES, PROVIDES AN EASIER METHOD OF FILTERING THE HYDRAULIC OIL, AND ULTIMATELY RUNS COOLER.

IN ADDITION TO YOUR CHOICE OF SIZES, THERE ARE SHIFT OPTIONS AND A CHOICE BETWEEN REMOTE MOUNT OR DIRECT MOUNT TO THE PTO DRIVE.



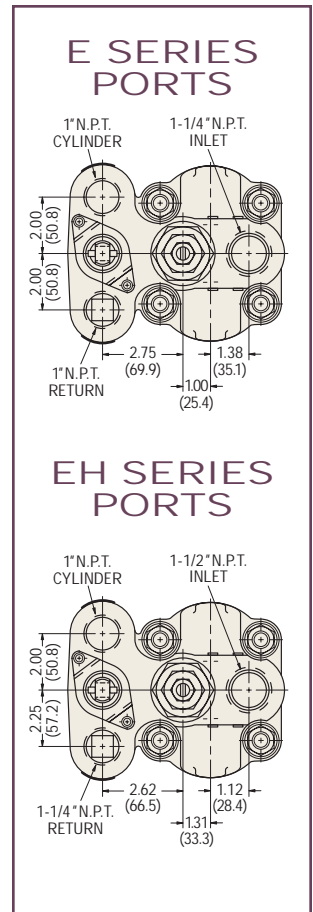
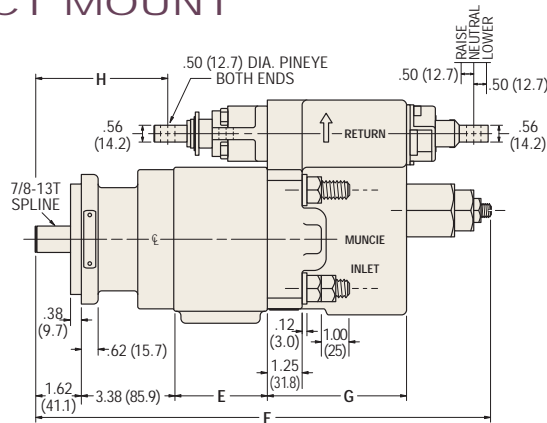
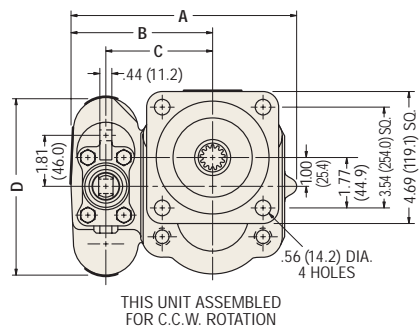
DIRECT MOUNT



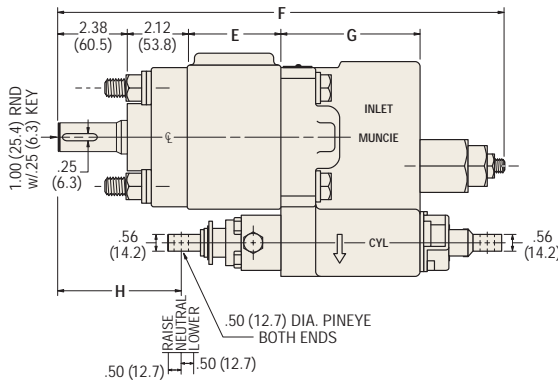
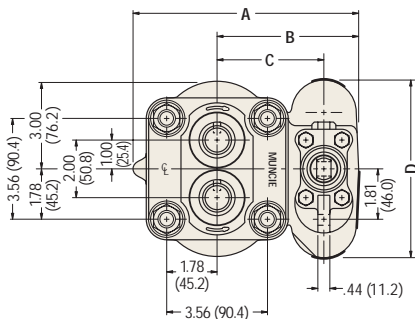
REMOTE MOUNT

# E/EH SERIES MOUNTING DIMENSIONS IN INCHES (MM)

## DIRECT MOUNT



## REMOTE MOUNT



### DIRECT MOUNT DIMENSIONS

SERIES/MODEL GPM (LITERS)	DIM A IN (MM)	DIM B IN (MM)	DIM C IN (MM)	DIM D IN (MM)	DIM E IN (MM)	DIM F IN (MM)	DIM G IN (MM)	DIM H IN (MM)
E /23 (87)	7.97 (202.4)	5.00 (127.0)	3.75 (95.3)	6.25 (158.8)	2.75 (69.9)	15.62 (396.7)	4.97 (126.2)	4.31 (109.5)
E /27 (102)	7.97 (202.4)	5.00 (127.0)	3.75 (95.3)	6.25 (158.8)	3.25 (82.6)	16.12 (409.4)	4.97 (126.2)	4.81 (122.2)
EH/23 (87)	8.34 (211.8)	5.38 (136.7)	3.95 (100.3)	6.69 (169.9)	2.75 (69.9)	15.64 (397.3)	5.41 (137.4)	3.81 (96.7)
EH/27 (102)	8.34 (211.8)	5.38 (136.7)	3.95 (100.3)	6.69 (169.9)	3.25 (82.6)	16.14 (409.9)	5.41 (137.4)	4.31 (109.5)

### REMOTE MOUNT DIMENSIONS

SERIES/MODEL GPM (LITERS)	DIM A IN (MM)	DIM B IN (MM)	DIM C IN (MM)	DIM D IN (MM)	DIM E IN (MM)	DIM F IN (MM)	DIM G IN (MM)	DIM H IN (MM)
E /23 (87)	7.97 (202.4)	5.00 (127.0)	3.75 (95.3)	6.25 (158.8)	2.75 (69.9)	15.12 (384.0)	4.97 (126.2)	3.81 (96.7)
E /27 (102)	7.97 (202.4)	5.00 (127.0)	3.75 (95.3)	6.25 (158.8)	3.25 (82.6)	15.62 (396.7)	4.97 (126.2)	4.31 (109.5)
EH/23 (87)	8.34 (211.8)	5.38 (136.7)	3.95 (100.3)	6.69 (169.9)	2.75 (69.9)	15.00 (381.0)	5.41 (137.4)	3.31 (84.1)
EH/27 (102)	8.34 (211.8)	5.38 (136.7)	3.95 (100.3)	6.69 (169.9)	3.25 (82.6)	15.63 (397.0)	5.41 (137.4)	3.81 (96.7)



# E/EH SERIES PUMP SPECIFICATIONS

## PUMP SPECIFICATIONS

SERIES/MODEL GPM (LITERS)	DISPLACEMENT CUBIC IN (CC)	WT.** LBS (KG)	MAX* RPM	MIN* RPM	MAX* PRES PSI (BAR)	INLET N.P.T. PORT	CYLINDER N.P.T. PORT	RETURN N.P.T. PORT
E /23 (87)	5.20 (85.23)	67 (30.4)	2500	800	2500 (173)	1-1/4	1	1
E /27 (102)	6.37 (104.40)	69 (31.3)	2500	800	2500 (173)	1-1/4	1	1
EH/23 (87)	4.95 (81.13)	68 (30.8)	2500	800	2500 (173)	1-1/2	1	1-1/4
EH/27 (102)	6.60 (106.00)	70 (31.7)	2500	800	2500 (173)	1-1/2	1	1-1/4

\* Intermittent duty cycles only. Not recommended for ejector, conveyor, or moving floor type equipment.

\*\* Weights listed are for remote mount pumps without brackets. For direct mount pumps add 2 lbs. (0.9 kg).

## PUMP OPTIONS

PUMP SERIES	CONVERSION SLEEVE	REMOTE MOUNT MOUNTING BRACKET	AIR CYLINDER ASSEMBLY*	LEVER TO CABLE* HOOK-UP (REMOTE MT)	LEVER TO CABLE* HOOK-UP (DIRECT MT)
E	AA-1257	B1235	ACM-300	EHK-R	EHK-DL/EHK-DR**
EH	AA-1257-2	B1235	ACM-300	EHK-R	EHK-DL/EHK-DR**

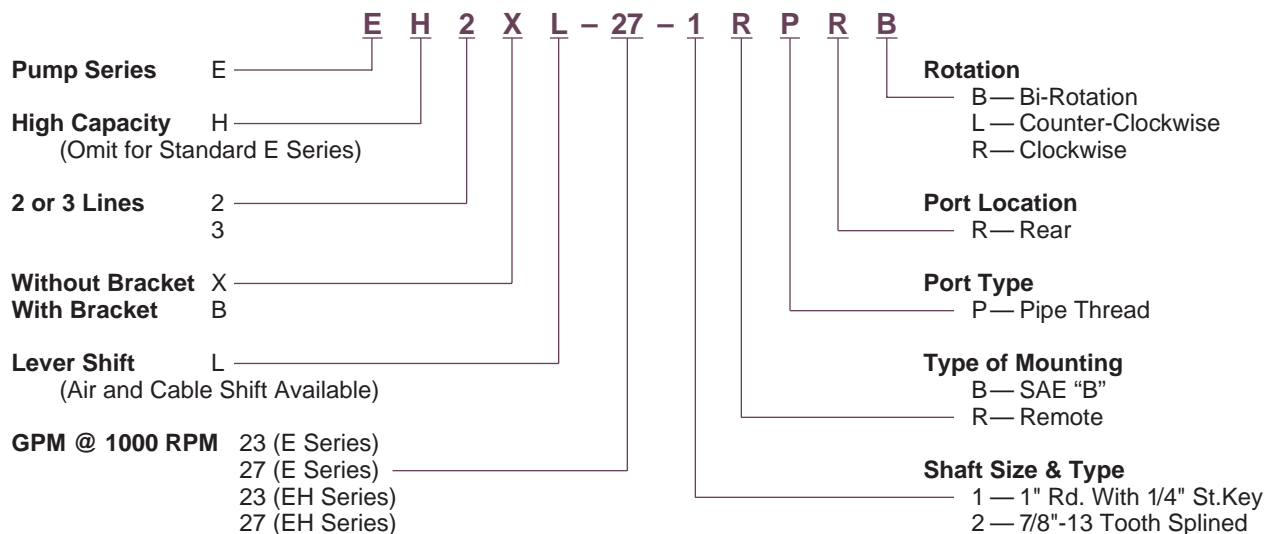
\* Kit includes attaching bolts. Kit does not include any consoles, cables, or air valves to make kit shift. Contact Muncie for complete console accessories.

\*\* EHK-DL is for counter-clockwise rotation, and EHK-DR is for clockwise rotation.

RVC-HK-38 Bonneted Cable Hook-Up Kit included in new Muncie DPC Consoles – Fits both E or EH, Direct and Remote Pumps.

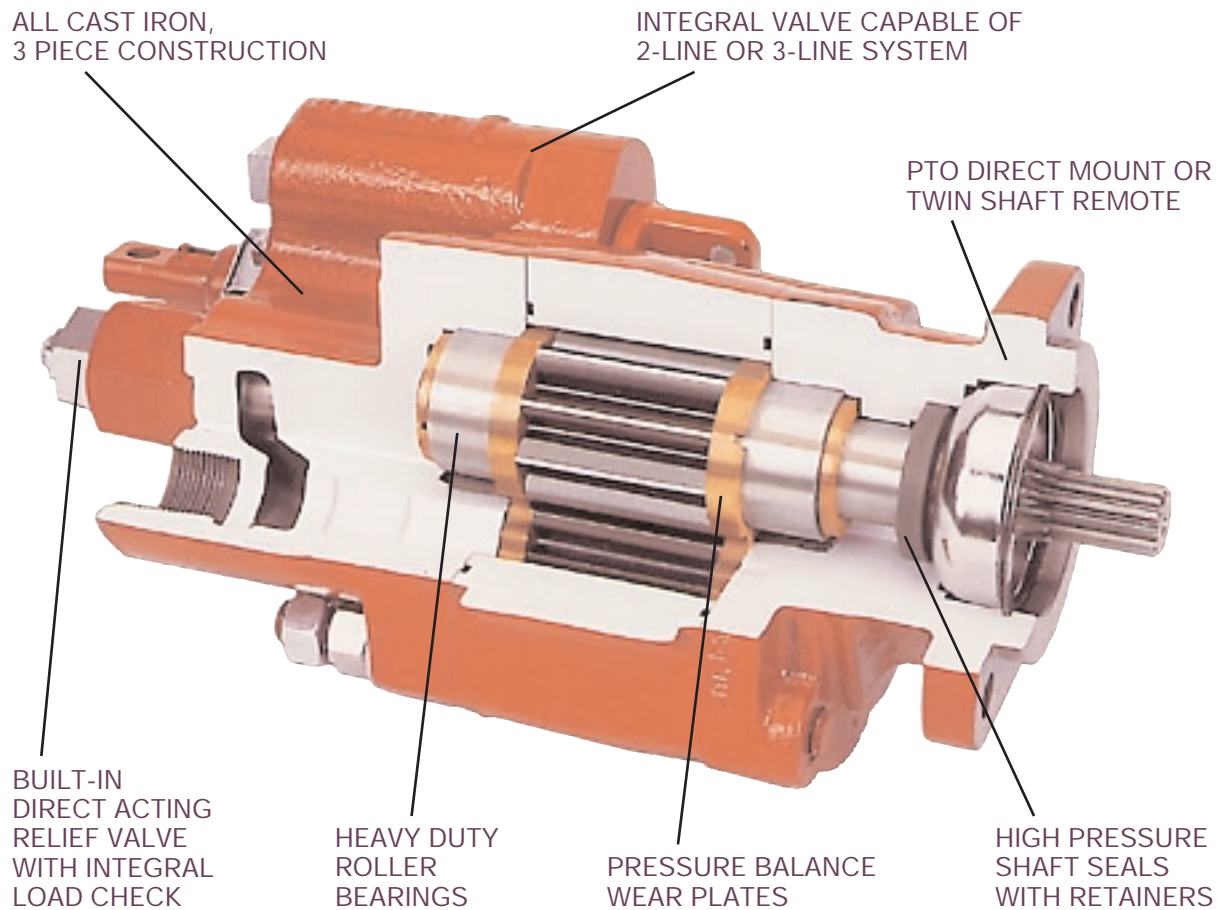
- NOTES:**
- Maximum oil temperature is 200°F (93.5°C).
  - Never use Teflon tape on pipe ports.
  - Always use suction hose (SAE-100R4) on pump inlet.
  - Maximum inlet vacuum is 5 inches Hg (.17 Bar).
  - Third line (Return) must be below oil level at all times.

## MODEL NUMBER CONSTRUCTION



# PUMP FEATURES AND CONSTRUCTION

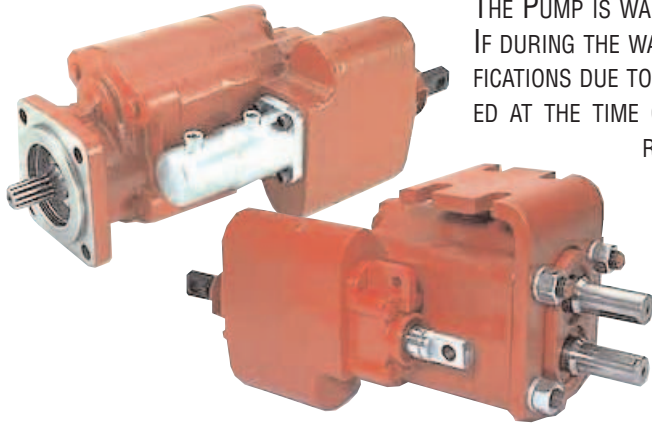
## E SERIES SHOWN



ALL CAST IRON 3 PIECE CONSTRUCTION • FULL TWO YEAR WARRANTY • SPEEDS TO 2500 RPM\* • PRESSURES TO 2500 PSI\* • PTO DIRECT MOUNT OR TWIN SHAFT REMOTE • INTEGRAL VALVE CAPABLE OF 2-LINE OR 3-LINE SYSTEM • HEAVY DUTY ROLLER BEARINGS • BUILT-IN DIRECT ACTING RELIEF VALVE WITH INTEGRAL LOAD CHECK • HIGH PRESSURE SHAFT SEALS WITH RETAINERS • PRESSURE BALANCED WEARPLATES • PUMP CAPACITIES: 23 & 27 GPM @ 1000 RPM • LEVER OR OPTIONAL INTEGRAL AIR SHIFT (METERS ON DOWN STROKE) • EXTRA LONG ASSEMBLY STUDS FOR PUMP SUPPORT ON DIRECT MOUNT UNITS • VALVE SPOOL SAFETY CAP IS STANDARD (FOR USE WITH PULL-OUT CABLE) • EXTERNALLY INTERCHANGEABLE WITH COMMERCIAL INTERTECH, FIGGE-HALL/TYRONE, PERMCO

\* INTERMITTENT DUTY CYCLES ONLY. NOT RECOMMENDED FOR EJECTOR, CONVEYOR, OR MOVING FLOOR TYPE EQUIPMENT.

# ONE-YEAR PUMP WARRANTY



THE MUNCIE CAST IRON/ROLLER BEARING PUMP RED E/EH SERIES IS WARRANTED AGAINST ANY DEFECT IN MATERIAL AND WORKMANSHIP WHICH EXISTED AT THE TIME OF SALE BY MUNCIE, ACCORDING TO THE FOLLOWING PROVISIONS, SUBJECT TO THE REQUIREMENTS THAT THE PUMP MUST BE USED ONLY IN ACCORDANCE WITH CATALOGUE AND PACKAGE INSTRUCTIONS, AND THE WARRANTY CARD MUST BE FILLED OUT AND RETURNED TO MUNCIE WITHIN TEN DAYS AFTER THE PUMP IS INSTALLED.

THE PUMP IS WARRANTED FOR A PERIOD OF ONE YEAR FROM DATE OF INSTALLATION. IF DURING THE WARRANTY PERIOD THE PUMP FAILS TO OPERATE TO MUNCIE'S SPECIFICATIONS DUE TO A DEFECT IN ANY PART IN MATERIAL OR WORKMANSHIP THAT EXISTED AT THE TIME OF SALE BY MUNCIE, THE DEFECTIVE PART WILL BE REPAIRED OR REPLACED, AT MUNCIE'S ELECTION, AT NO CHARGE, IF THE DEFECTIVE PART IS RETURNED TO MUNCIE WITH TRANSPORTATION PREPAID.

**WARNING.** THE ABOVE WARRANTY SHALL TERMINATE IF ANY ALTERATIONS OR REPAIRS ARE MADE TO THE PUMP OTHER THAN AT A SERVICE CENTER OWNED BY MUNCIE, OR IF THE PUMP IS USED UPON ANY EQUIPMENT OTHER THAN THE EQUIPMENT UPON WHICH IT IS FIRST INSTALLED.

AS TO ANY CAST IRON/ROLLER BEARING PUMP RED E/EH SERIES WHICH IS REBUILT AND RETESTED AT A SERVICE CENTER OWNED BY MUNCIE, THE PERIOD OF THE ABOVE WARRANTY IS EXTENDED FOR A PERIOD OF ONE ADDITIONAL YEAR FROM THE RETEST DATE.

**THE FOREGOING WARRANTIES ARE IN LIEU OF ALL OTHER OBLIGATIONS AND LIABILITIES, INCLUDING NEGLIGENCE AND ALL WARRANTIES OF MERCHANTABILITY AND SUITABILITY, EXPRESSED OR IMPLIED AND STATE MUNCIE'S ENTIRE AND EXCLUSIVE LIABILITY AND BUYER'S EXCLUSIVE REMEDY FOR ANY CLAIM OF DAMAGES IN CONNECTION WITH THE SALE, REPAIR OR REPLACEMENT OF THE ABOVE GOODS, THEIR DESIGN, INSTALLATION OR OPERATION. MUNCIE WILL IN NO EVENT BE LIABLE FOR ANY DIRECT, INDIRECT, SPECIAL, INCIDENTAL OR CONSEQUENTIAL DAMAGES WHATSOEVER, AND OUR LIABILITY UNDER NO CIRCUMSTANCES WILL EXCEED THE CONTRACT PRICE FOR THE GOODS FOR WHICH LIABILITY IS CLAIMED.**

*Distributed By:*

**PTO & DUMP PUMP  
SHIFTER OPTIONS**

**Dual Cable/  
Lever Console**  
DPC-1-C-38-120  
*Brochure MP97-03*



**PTO/Pump  
Airshift  
Console  
ASC1**  
*Brochure  
MP02-10*





**Muncie®  
Power  
Products**

MP94-01 (Rev. 2-04) Printed in the U.S.A.

**Muncie Power Products, Inc.** Member of the Interpump Hydraulics Group  
General Offices and Distribution Center • P.O. Box 548 • Muncie, IN 47308-0548  
(765) 284-7721 • FAX (765) 284-6991 • E-mail info@munciepower.com  
Web site <http://www.munciepower.com>

Drive Products, Inc., Toronto, Exclusive Agents for Canada

