

MODEL NUMBER CONSTRUCTION FOR COMPLETE VALVE CONTROL SYSTEM

RVC - SCX - 1 - 085 - 12 - 072

Basic Series

RVC

Lever Position

- SCX — Single - Non-Locking Control
- SCL — Single - Center Locking Control
- SEL — Single - End Locking Control
- DXA — Dual X-Axis Control

Design Number

- 1 — Silver
- 2 — Black

Cable Series

- 085 — .125 Stainless Steel Inner (1x13 Strand)
- 165 — .187 Stainless Steel Inner (1x19 Strand)
(call for stock lengths)

Cable Length in Inches Standard Sizes (085 Series)

- 048 — Standard
- 060 — Standard
- 072 — Standard
- 084 — Standard
- 096 — Standard
- 120 — Standard
- 144 — Standard
- XXX — Other lengths can be built for immediate shipment.

Hook-up Kit*

- 10 — Muncie 60/61, 65, Com. A20 Front Entry
- 11 — Muncie 60/61, 65, Com. A20 Rear Entry (Spring return only)
- 12 — Gresen 25P, CP, CS, V20, V42 Energy CVSD, CVP, CVA200
- 13 — Rexroth 30-S2, MP-18
- 20 — Gresen V30, Husco 6000 Racine 3/8 inch
- 25 — Gresen V12, Parker VDP12 Racine 1/2 inch
- 28 — Cross BA, BC, CA, CD
- 29 — Muncie 90/91, Commercial A35 Rear Entry
- 30 — Husco 5000
- 31 — Muncie 31V, Commercial KA-18 Front Entry
- 31R — Muncie 31V, Commercial KA-18 Rear Entry
- 33 — Brand 34 Series
- 34 — Gresen V15
- 36 — Muncie 90/91, Commercial A35 Front Entry
- 38 — Muncie "E" Series, Commercial C-101, C-102 Dump Pump
- 39 — Munson Tyson HV-07
- 41 — Muncie "S" Series, Commercial G-104, G-105 for Double Acting Hoists
- 44 — Muncie TG PTO (Use Lever Shift Cover "R" Part Number: 16TA9455)
- 45 — Muncie Selector Valve MSV-16 Series
- 86 — Gresen V10
- 106 — Muncie "S" Series, Commercial G-101, G-102 for Single Acting Hoists

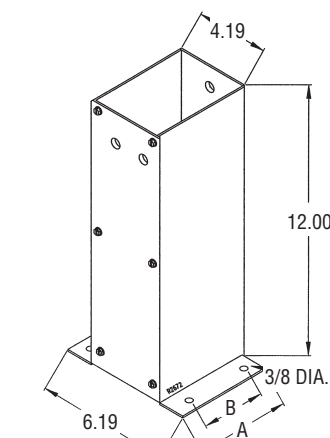
*For kits not listed, and when a remote or bulk-head attachment is desired, use clevis kits.

PART NUMBER SYSTEM FOR HOOK-UP KIT ONLY

RVC - HK - 12

RVCC CONSOLES

PART NO.	A	B
RVCC1	1-3/4	1
RVCC2	3-3/8	2-5/8
RVCC3	4-15/16	4-3/16
RVCC4	6-9/16	5-13/16
RVCC6	9-7/8	9

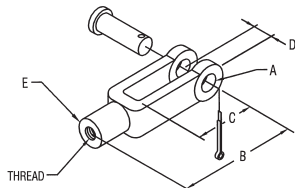


CONTROL SPACER PART NO. B1588

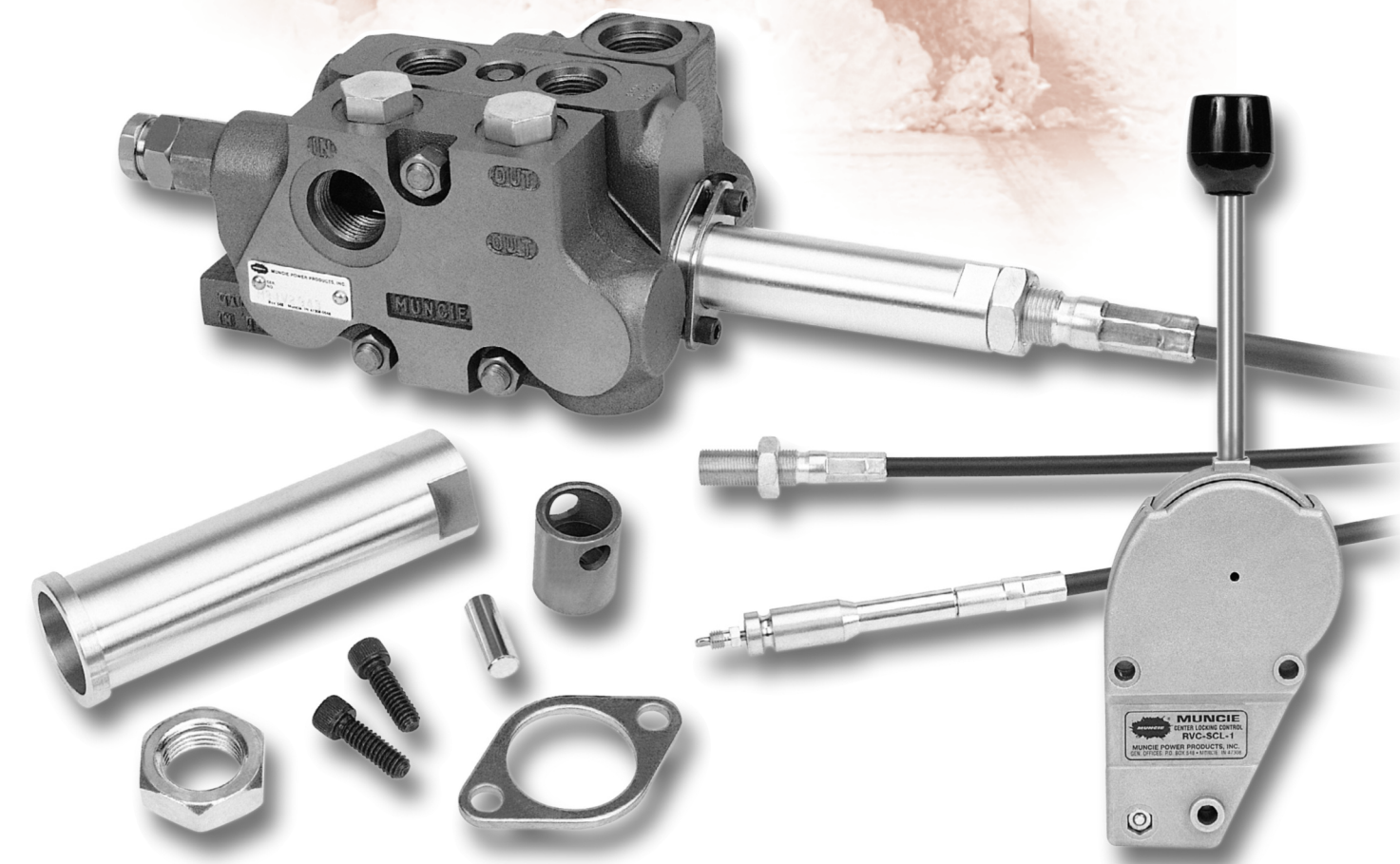
CLEVIS ATTACHMENT KITS/DIMENSIONS

PART NO.	THREAD	A	B	C	D	E
85CLK-250	1/4-28 UNF	.25 (6.4)	2.00 (50.8)	1.31 (33.3)	.29 (7.4)	.44 (11.2)
85CLK-313	1/4-28 UNF	.31 (7.9)	2.25 (57.2)	1.44 (36.6)	.34 (8.6)	.50 (12.7)
85CLK-375	1/4-28 UNF	.38 (9.7)	2.50 (63.5)	1.63 (41.4)	.43 (10.9)	.45 (11.4)
85CLK-500	1/4-28 UNF	.51 (12.9)	2.92 (74.2)	1.76 (44.7)	.56 (14.2)	.81 (20.6)

CLEVIS PIN AND COTTER PIN INCLUDED IN PART NUMBER.




REMOTE VALVE CONTROL SYSTEMS



MP95-04 (Rev. 4-10) Printed in the U.S.A.
© Muncie Power Products, Inc. 2010

Muncie Power Products, Inc. Member of the Interpump Hydraulics Group
General Offices and Distribution Center • P.O. Box 548 • Muncie, IN 47308-0548
(765) 284-7721 • FAX (765) 284-6991 • E-mail info@munciepower.com
Web site <http://www.munciepower.com>

Drive Products, Exclusive Agents for Canada, ISO Certified by an Accredited Registrar



Muncie Power Products, Inc.



REMOTE VALVE CONTROL SYSTEMS

MUNCIE'S RVC JOYSTICK CONTROL SYSTEMS ALLOW IN-CAB DIRECT CONTROL OF PTOS, PUMPS AND VALVES WITH A PUSH-PULL CABLE. TOTALLY ENCLOSED ACTUATION HOOK-UP KITS PROVIDE "PROTECTION FROM THE ELEMENTS".

FEATURES:

- Choose from Single Axis Center lock, End lock, or Non-Locking versions
- Dual axis version for two function control
- Controls bank together into a common console (optional)
- "Bonnet Style" hook up kits for a multitude of manufacturers
- Decal sheet for application function identification included
- Eliminates clutter and exposed lever related maintenance
- Sealed water proof heavy duty cables
- Cable construction includes steel inner member with plastic liner for smooth movement, armored conduit strands for strength and flexibility, outer cover for sealing, and swaged end fittings.
- Fast, easy, and clean installation
- Safe and Positive feel preferred by most operators
- Control is secure and absolute.

APPLICATIONS:

Dump Bodies
Snow & Ice Control
Cranes
Agriculture Equipment

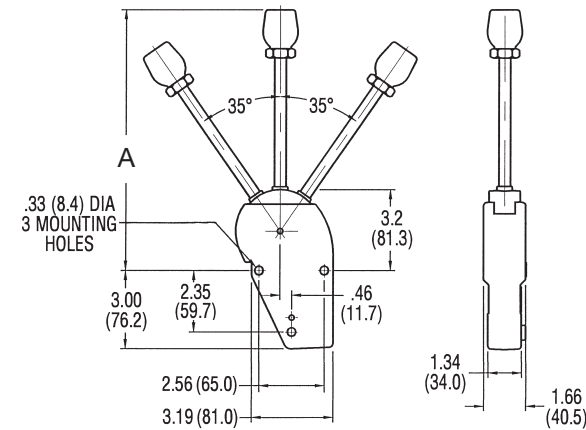


INSTALLATION DIMENSIONS

INCHES (MM)

SINGLE AXIS

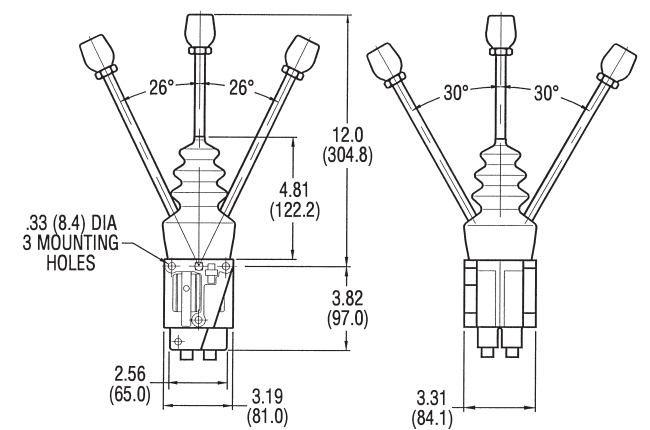
DESCRIPTION	PART NO.	DIM. A
NON-LOCKING	RVC-SCX-1	12.25 (311.15)
CENTER LOCKING	RVC-SCL-2	8.75 (222.2)
END LOCKING	RVC-SEL-2	8.75 (222.2)



MAX. LOAD 100 LBS. • CABLE TRAVEL (FROM CENTER) ±0.81

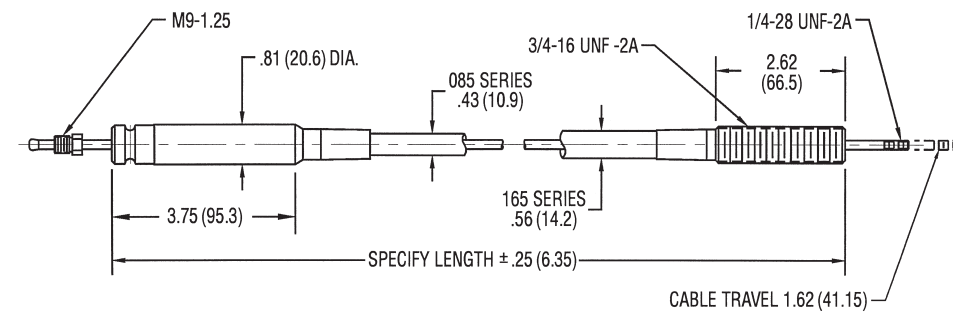
DUAL AXIS

DESCRIPTION	PART NO.
NON-LOCKING	RVC-DXA-1



MAX. LOAD 100 LBS. • CABLE TRAVEL (FROM CENTER) ±0.47

PUSH-PULL CABLE DIMENSIONS PART NUMBER: (EXAMPLE) RVC85-2-LENGTH IN INCHES



CABLE INSTALLATION SUGGESTIONS

1. KEEP CABLE PATH AS DIRECT AS POSSIBLE. IF BENDS ARE REQUIRED, MINIMUM BEND RADIUS SHOULD BE 8".
2. AVOID HEAT SOURCES (EXAMPLE: EXHAUST PIPE) OR OTHER AREAS WHERE TEMPERATURE CAN EXCEED 225°F.
3. AVOID PINCH AREAS WHERE CABLE COULD BE CRUSHED OR DEFORMED.
4. AVOID KINKING OR STRETCHING OF CABLE. ALWAYS ALLOW EXTRA LENGTH FOR FLEXING WHEN MOUNTED TO MOVING PARTS OF EQUIPMENT.

