



**Muncie®
Power
Products**

CMKC17-6600-XP6-AC

YEAR	2017
MAKE	Chevrolet
MODEL	HD-2500/3500
ENGINE	6.6L
OPTIONS	W/O Dual Alternator, W/ AC

INSTALLATION NOTES

1. Be sure to read and understand all available information including but not limited to instructions, warnings, sale terms, and warranties for the vehicle and all system components prior to attempting installation.
2. Disconnect the negative battery cables. Drain engine coolant and remove upper radiator hose. Remove air duct and serpentine belt. Install idler bracket (2) with bolt (13) at location A and bolt and nut (6) & (7) at location B. Install idlers (4) and bushing (3) onto idler bracket (2) with bolt (5).
3. Install pump on to bracket (1) with bolts provided. Install pump and bracket next to the A/C compressor with two 10mm x 30mm flange bolts (13) from the top at locations C&D. Attach pump bracket (1) with bolt (12) at location E. Tighten all bolts lightly, and then torque them to 35ft. lbs. starting with bolt 12. Replace inside alternator bolt with bolt (11).
4. Install the new belt according to the belt routing shown on page 4. The inside idler is adjustable to accommodate several aftermarket components. Use the correct hole for proper belt length.
5. Cut approximately 1" from the radiator end of the upper radiator hose. Install the hose and replace engine coolant. Replace air duct to its original location.
6. Reconnect the batteries. Run the engine and check for proper belt tracking.
7. Make certain no wires or hoses come in contact with any hot or moving parts.



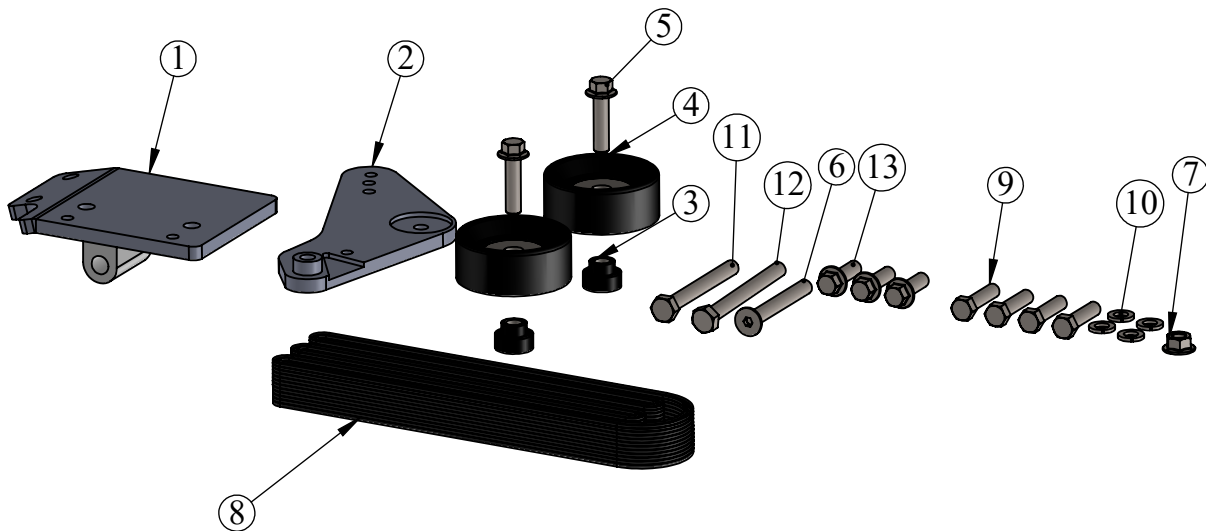
Muncie
Power
Products

CMKC17-6600-XP6AC

YEAR	2017
MAKE	Chevrolet
MODEL	HD-2500/3500
ENGINE	6.6L
OPTIONS	W/O Dual Alternator, W/ AC

PARTS LIST

ITEM #	DESCRIPTION	QTY
1	CMB2611	1
2	CMB261-2	2
3	CMB3867	2
4	89007 IDLER	2
5	10X40MM FLG BOLT	2
6	10X80MM FSCS	1
7	10MM FLG NUT	1
8	5061420 BELT	1
9	3/8X1.0 BOLT	4
10	3/8 LOCK WASHER	4
11	10X90MM MACHINED BOLT	1
12	10X90MM BOLT	1
13	10x30MM FLG BOLT	3

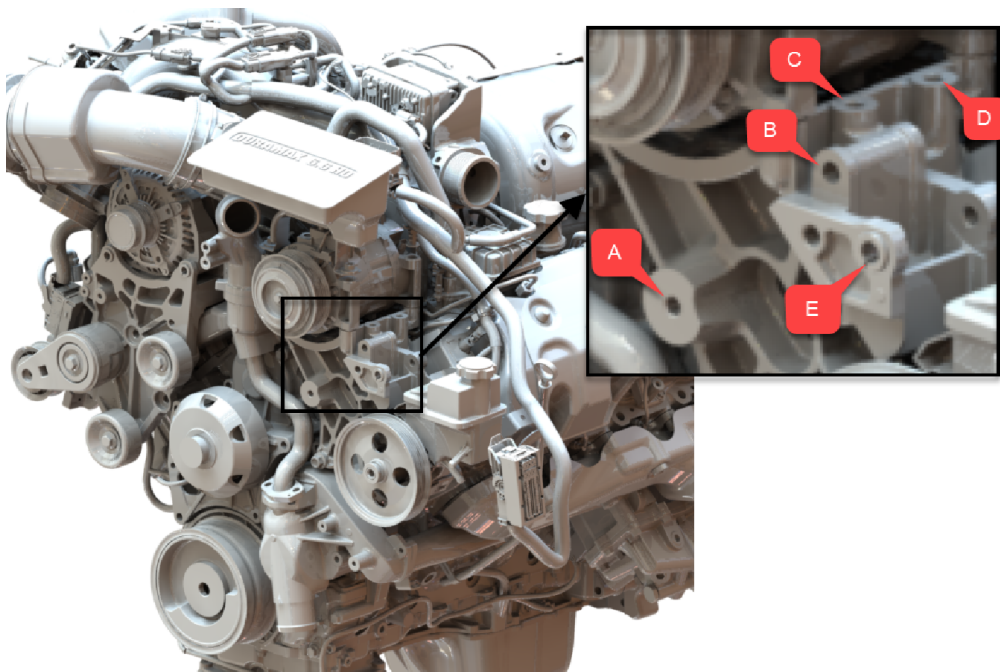
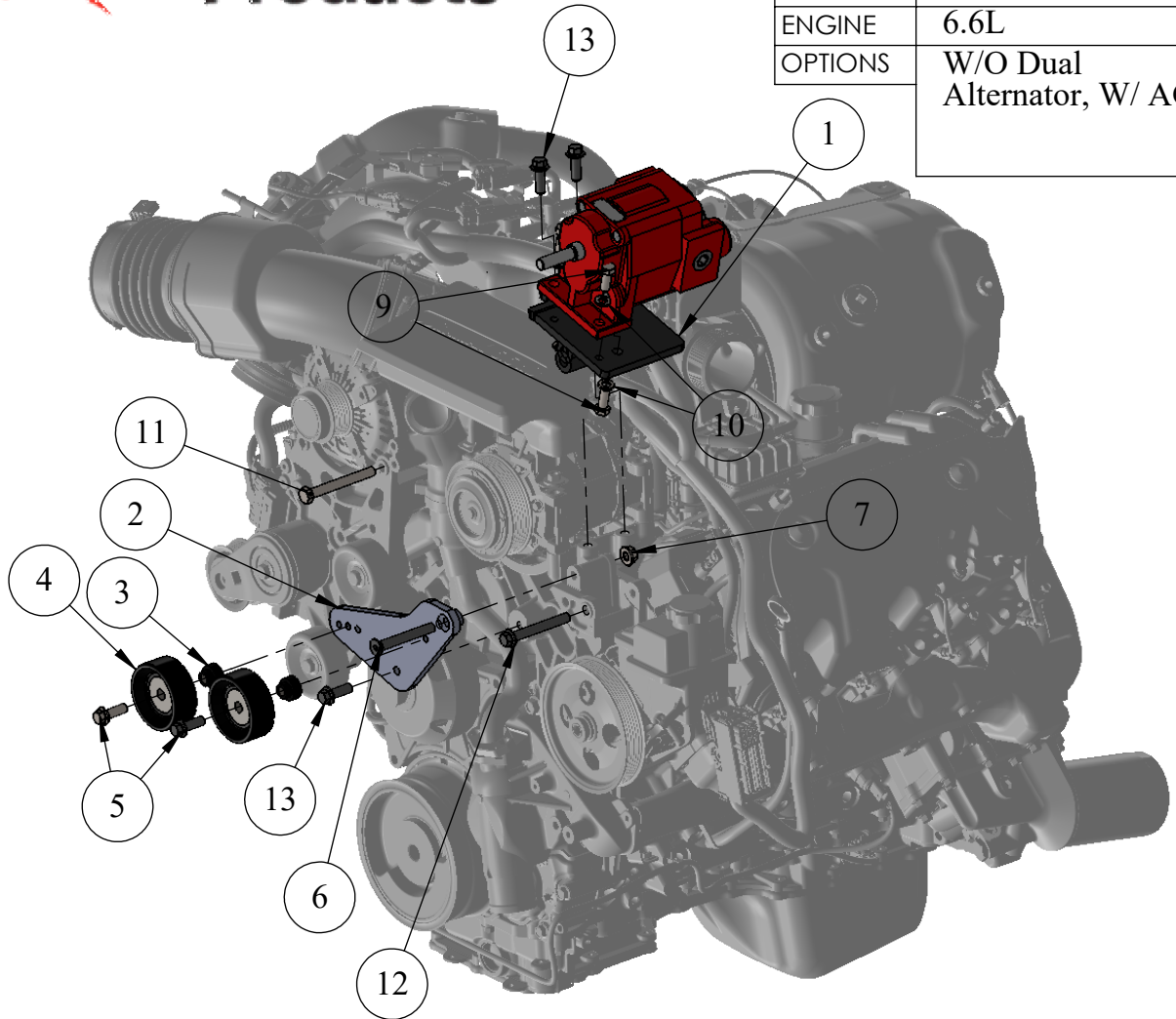




Muncie[®] Power Products

CMKC17-6600-XP6AC

YEAR	2017
MAKE	Chevrolet
MODEL	HD-2500/3500
ENGINE	6.6L
OPTIONS	W/O Dual Alternator, W/ AC

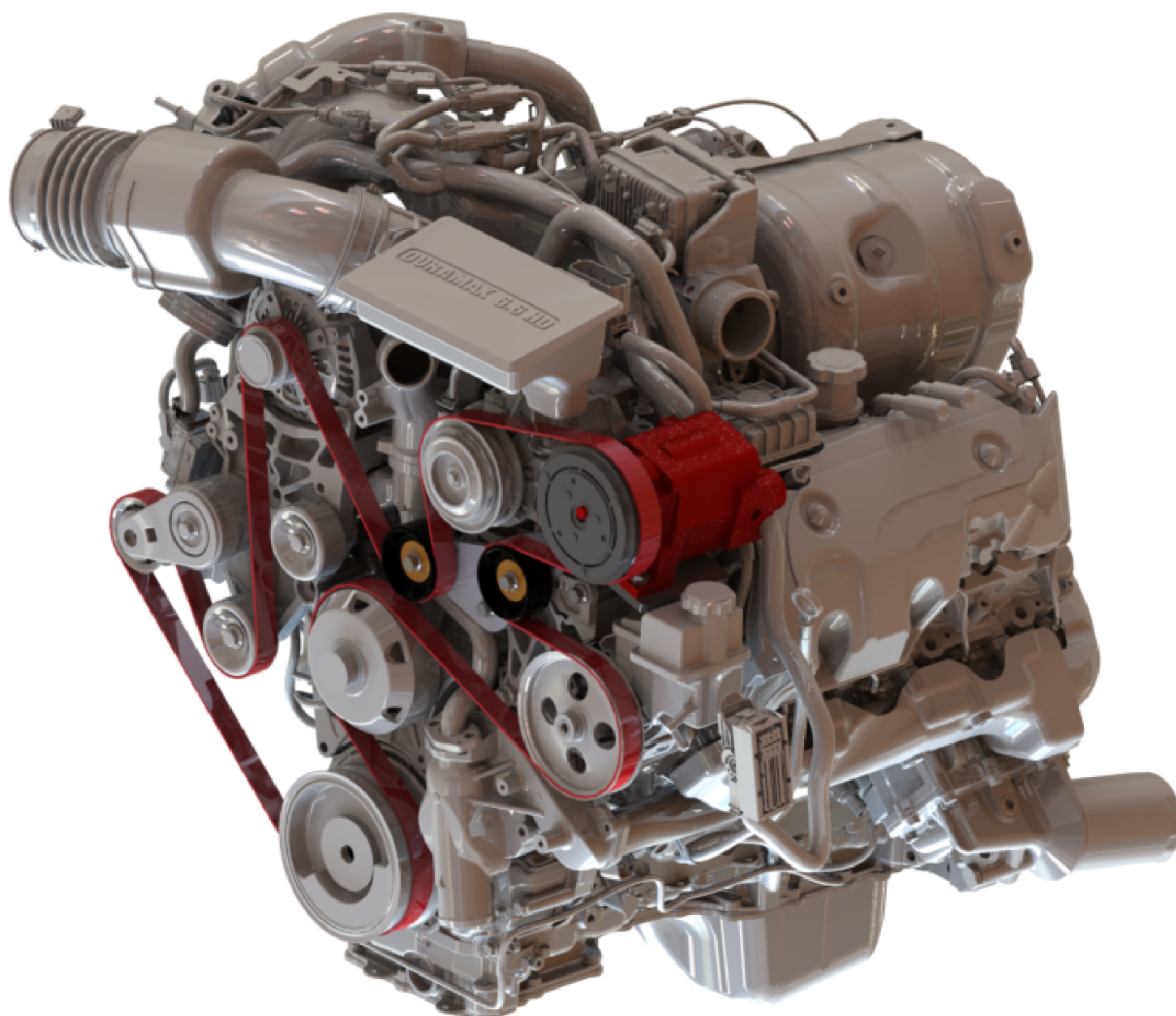




Muncie[®] Power Products

CMKC17-6600-XP6AC

YEAR	2017
MAKE	Chevrolet
MODEL	HD-2500/3500
ENGINE	6.6L
OPTIONS	W/O DUAL ALTERNATOR, W/ AC



Disclaimer: (1.) Due to the custom nature and variation of all add-on systems of this type, no complete system kits are offered by the manufacturer, and any group of parts marketed as a kit is limited to only the individually defined parts in that specific kit. The system designer's rotating accessory components are not included, offered, or fully known by the manufacturer. In addition to the absence of the rotating accessory system, other potential components such as additional clamps, brackets, wear liners, hardware, or other items that may be required by the system designer must be identified and supplied by the actual system designer. (2.) Due to vehicle manufacturer's assembly tolerances, production changes, and installation variances, it is the buyer's responsibility to insure adequate clearance for all components including space for and safe location of the fan, radiator, all lines, and wires. Check for possible movement, vibration, friction points, heat exposure and/or shifting of any and all components such as hoses, wires, and all other components including those that may otherwise be considered non-moving and/or unaffected by the installation (3.) The buyer is responsible for the entire installation of a mounting kit as the mounting kit is part of a custom process controlled by the buyer through their whole system design and directed installer as the installer evaluates, locates, routes, aligns, and tightens all components while determining if additional clamps, brackets, wear-liners, or other components may be required, beyond those included in the kit. Any additional items required, beyond those included in the kit, are to be provided at the expense of the buyer. (4.) the buyer is responsible for the development and communication of their whole system installation procedures, safety precautions, application, and use of the engine accessory mounting kit in their system, including efforts to maintain vehicle control and prevent pinch, wear, impact, and/or burn exposure on all hoses, wires, and other parts. (5.) The buyer is responsible for providing trained and experienced installation decision making with technical know-how to apply professional judgment that specifically applies to each individual installation. The buyers chosen installers must be qualified and experienced technicians that are familiar with the vehicle and accessory being mounted as well as the buyer's whole system design and installation procedures associated with the kit. (6.) The buyer is responsible for determining and achieving compliance to all regulatory issues that apply to the use of all products. (7.) The manufacturer reserves the right to make changes and/or improvements to any product at any time with or without notice.