



**Muncie[®]
Power
Products**

CMKC84-3035-A-AC

1984-87 Chevy Truck C & K 10,20,30

1988-89 R & V 3500 Cab Chassis

1988-91 R & V 3500 Crew Cab

1984-86 4.3 V-6

305,350 W-WO/AC, A.I.R

(Non-Serpentine)

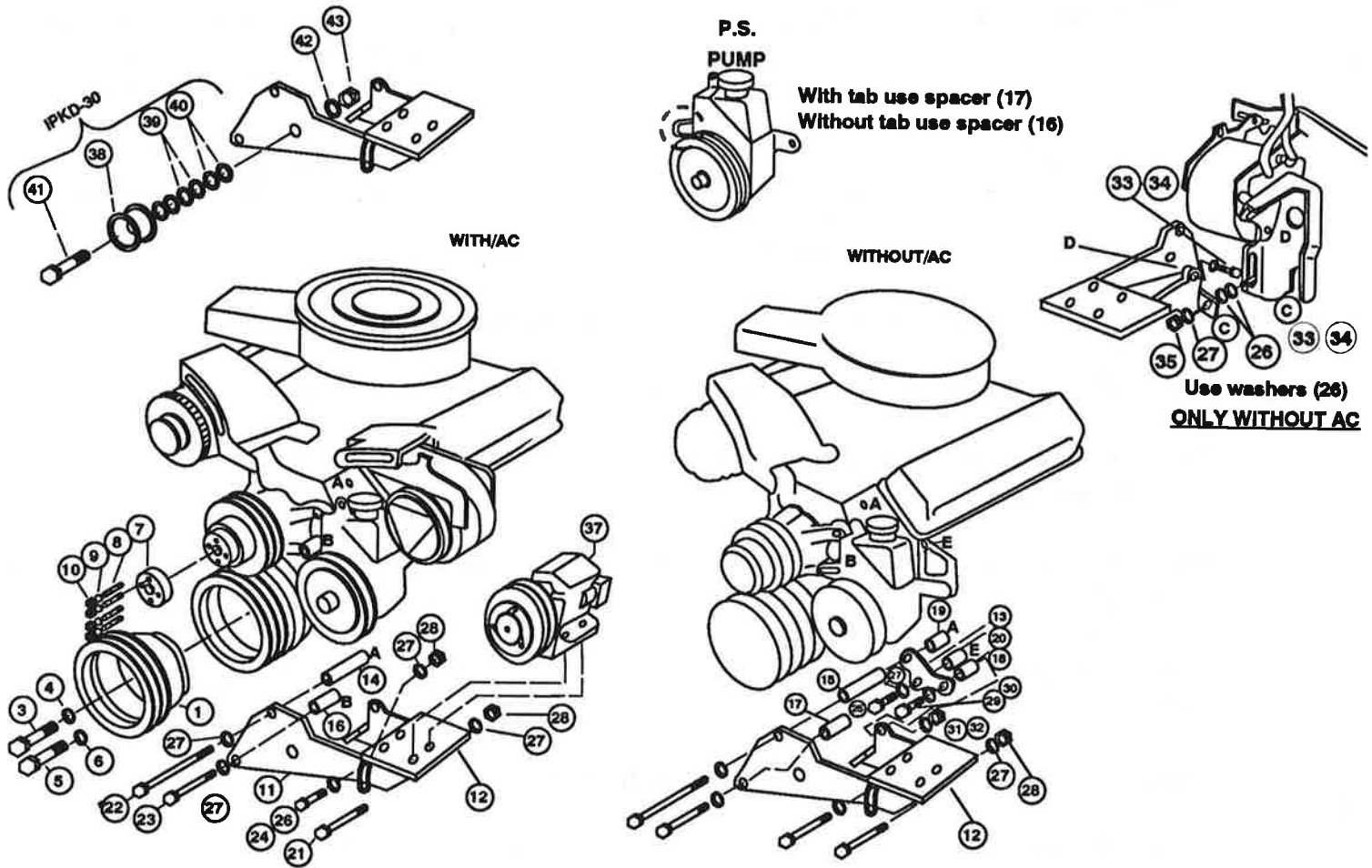
INSTALLATION NOTES

1. Disconnect battery terminal and loosen belts. Mark fan to water pump pulley for proper re-installation, remove fan.
2. Remove bolts and washers from pulley on front of crankshaft. Install drive pulley (1) with provided bolts.
CAUTION: Be sure to use the bolts with the same thread as O.E.M. bolts removed.
3. Remove bolts at mounting locations shown in diagram. If engine is WO/AC, install bracket (13) with bolts and spacers as shown.
4. Install mounting bracket (11) with spacers and bolts as shown in diagram.
IMPORTANT: Take note of power steering tab and use of washers WO/AC as shown in diagram. Do not tighten bolts.
5. Remove fan studs and replace with provided studs (8). Install fan spacer (7). Install fan, align marks from step 1, tighten securely.
6. Tighten O.E.M. belts to specified tension. Tighten all other loose bolts.
7. Install pump mounting plate with bolts (21 & 24). Mount clutch pump (37) onto mounting plate. Make sure clutch pulley is in line with drive pulley (1). Tighten pump bolts securely.
8. Install idler pulley (38) using spacers as required to align with clutch and drive pulley. Tighten securely.
9. Install pump drive belts (36). Adjust pump plate (12) for proper belt tension. Tighten bolts (21 & 24) on pump plate. Connect battery terminal.

CAUTION: Check all engine compartment vacuum hoses and electrical wiring that may have been disturbed or re-routed during kit installation to be sure that hoses are not kinked, that they do not touch any high temperature items, and that they do not interfere with any linkage components.

NOTE: This kit is designed to operate successfully with the standard fan supplied by the manufacturer of your truck. Due to O.E.M. assembly tolerances, visually make certain that there is adequate clearance between fan and drive pulley, and also fan and radiator. It may be necessary to use a longer spacer for pulley clearance. If there is little clearance to the radiator, check with Chevrolet dealership to insure that it will not flex into the radiator before operating. Move radiator if necessary. Fan shroud may need to be notched for belt clearance.

CMKC84-3035-A-AC



PARTS LIST

- | | | |
|-------------------------------|-------------------------|------------------------------|
| 1. CPC 312 (1) | 16. SP88-2.625 (1) | 31. 7/16 LW (1) |
| 2. O.E.M. | 17. SP88-2.437 (1) | 32. 7/16 NC (1) |
| 3. 7/16 X 3 NF GR.8 (1) | 18. SP88-0.750 (1) | 33. 12mm X 45mm 1.75 (1) |
| 4. 7/16 LW (1) | 19. SP88-0.375 (1) | 34. 12 mm LW (1) |
| 5. 3/8 X 1-1/2 NF,NC GR.8 (3) | 20. SP88-0.250 (1) | 35. O.E.M. |
| 6. 3/8 LW (3) | 21. 3/8 X 7 NC (1) | 36. AX-63 (2) (Not Shown) |
| 7. FSO 504 (1) | 22. 3/8 X 6-1/2 NC (1) | 37. Clutch Pump Assembly (1) |
| 8. 5/16 X 2 ST (4) | 23. 3/8 X 3-1/2 NC (1) | (Sold Separately) |
| 9. 5/16 LW (4) | 24. 3/8 X 1-1/2 NC (1) | 38. IPCD (1) |
| 10. 5/16 NC (4) | 25. 3/8 X 1-1/4 NC (1) | 39. IPW14 (5) |
| 11. CMB 330 (1) | 26. 3/8 FW (3) | 40. 5/8 FW (5) |
| 12. CMP 331 (1) | 27. 3/8 LW (5) | 41. 5/8 X 3 NC (1) |
| 13. CMB 331 (1) | 28. 3/8 NC (2) | 42. 5/8 LW (1) |
| 14. SP88-4.750 (1) | 29. 7/16 X 2-1/2 NC (1) | 43. 5/8 NC (1) |
| 15. SP88-4.437 (1) | 30. 7/16 FW (1) | |

NOTE: Remove ear from PS pump if it interferes with spacer at hole B. Do not remove tab.

NOTE: A slightly longer PS belt may be necessary for PS pulley clearance to spacers 14 or 15.

NOTE: Be sure bolt (22) does not bottom out in hole.