



**Muncie[®]
Power
Products**

**CMKD00-36LA-A-AC
CMKD00-36LA-AH-AC**

**2000-01 Dodge 360
W-WO/AC, W/O A.I.R. Pump**

INSTALLATION NOTES

1. Disconnect the negative battery cable. Remove the fan, fan shroud and the serpentine belt. Remove two of the three bolts in the O.E.M. tensioner bracket at locations "D & E". Remove the three bolts at locations "A,B, & C".
2. Remove the bolt holding the damper onto the crankshaft. Using a small 3-Jaw puller, pull the damper off the crankshaft.
IMPORTANT: The jaws on the puller should be placed on the inner hub of the pulley. **DO NOT** pull the damper with the jaws placed on the serpentine pulley. Before installing the new damper, place a small amount of RTV sealer around the keyway of the crankshaft. Install the new damper using the OEM damper bolt and flatwasher. Remove the bolt and flatwasher. Install the V-groove pulley (1) using the three 3/8" bolts and lockwashers (3 & 4). Install 3/4" bolt and lockwasher (2a,b,c) into the crankshaft. Torque bolt to 135 lb/ft..
3. Install pump bracket (6) using bolts (10,11 & 12) with lockwashers on front of bracket and two bolts (8) with lockwashers on back of bracket. Be sure all bolts have been started before tightening any of them.
4. Install serpentine belt, new fan spacer (5), fan and fan shroud. Mount clutch pump (17) to plate (7) and align clutch pulley with drive pulley; tighten securely. Install pump drive belts and adjust to proper tension. Re-mount the coil on back side of bracket (6) with bolts (8) nuts and lockwashers. **CAUTION:** Heater hose may need to be re-routed to prevent pump pulley from damaging it.
5. **CAUTION:** Check all engine compartment hoses and electrical wiring that may have been disturbed or re-routed during kit installation to be sure that hoses are not kinked, that they do not touch any high temperature items, and that they do not interfere with any linkage components.

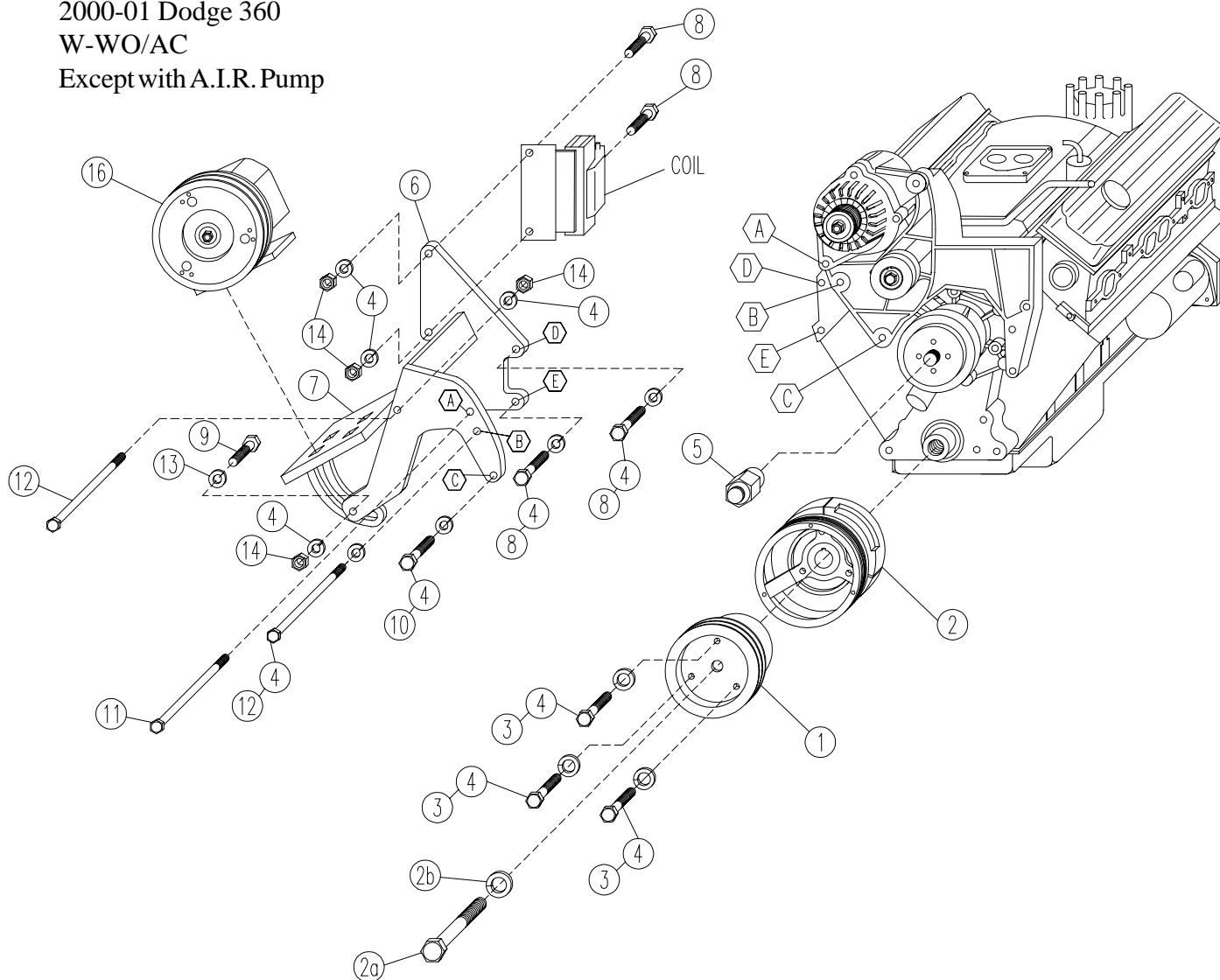
NOTE: This kit is designed to operate successfully with the standard fan supplied by Dodge. Due to O.E.M. assembly tolerances, visually make certain that there is adequate clearance between fan and drive pulley, and also fan to radiator. It may be necessary to use a longer spacer for pulley clearance. If there is little clearance to the radiator, check with Dodge dealer to insure that it will not flex into the radiator before operating. It is not uncommon for the fan to flex over 3/4 inch under full acceleration. Provide adequate clearance between fan and radiator before operating. Move radiator forward if necessary.

CMKD00-36LA-A-AC
CMKD00-36LA-AH-AC

2000-01 Dodge 360

W-WO/AC

Except with A.I.R. Pump



PARTS LIST

- | | |
|------------------------|------------------------------|
| 1. DPC 372 (1) | 8. 3/8 x 1 1/4 NC (4) |
| 2. DDP 382 (1) | 9. 3/8 x 1 1/2 NC (1) |
| 2a. 3/4 x 2 1/2 NF (1) | 10. 3/8 x 2 1/4 NC (1) |
| 2b. 3/4 LW (1) | 11. 3/8 x 4 1/2 NC (1) |
| 3. 3/8 x 1 NC (3) | 12. 3/8 x 5 NC (2) |
| 4. 3/8 LW (11) | 13. 3/8 FW (1) |
| 5. FSK 30R (1) | 14. 3/8 NC (4) |
| 6. DMB 350 (1) | 15. AX-58 (2),H.D.: AX-60 |
| 7. DMP 351 (1) | Belts (Not Shown) |
| | 16. Clutch Pump Assembly (1) |
| | (Sold Separately) |