



**Muncie®
Power
Products**

CMKF21-7300-YP6-AC

2021-2023 Ford F-650-F-750 Super Duty
7.3L V8 Gas w/-w/o A/C, w/o Dual Alternators

Requires 6-Groove Clutch, SAE Two Bolt 'A' Flange Pump
Recommended 1.75 in.³ or 8 gal. Pump w/ 12hp Restriction
NOTE: Must Use Rear Ported Pump

INSTALLATION NOTES

1. The buyer is responsible for providing trained and experienced installation decision making with technical know-how to apply professional judgment that specifically applies to each individual installation.
2. Be sure to read and understand all available information including but not limited to instructions, warnings, sale terms, and warranties for the vehicle and all system components prior to attempting installation.
3. Disconnect negative battery cable. Drain coolant low enough for removal of upper radiator hose. Disconnect the upper radiator hose at the radiator.
4. Remove fan clutch wire and bracket from engine. Remove OEM belt. Disconnect alternator wires and lay aside. Remove OEM alternator. Remove OEM alternator bracket and bolts. The bolts will not be reused.
5. Install main bracket (1) with bolts (2) and lock washers (3) onto the engine block (make sure to install bolt into bracket hole closest to water pump before installing bracket).
6. Install wire extension (16) to OEM main alternator wire with hardware (18-19) and heat shrink (17). Install OEM main alternator with OEM bolt (7) and bolt (8) onto main bracket (1). Wires will lay on top of main bracket (1). Install the two smooth idler pulley assemblies (4-6) onto main bracket (1) (install in hole closest to water pump). Install clutch pump assembly onto main bracket (1) according to the manufacturers' specifications with provided mounting hardware (9-15). Install wire to alternator.
7. Install belt (20). Install fan wire and OEM wire bracket.
8. Remove factory clamp from radiator hose (this is done by cutting at holes and separate plastic clamp). Cut radiator end of the upper radiator hose for clearance. Install with clamp (21). Install new radiator hose holder (22-23). Fill radiator.

CAUTION: Before starting the engine. Check to make certain no wires, hoses, etc. that may have been disturbed during installation do not come in contact with any hot or moving parts. Run the engine and check for proper belt tracking, adjust if necessary.

Disclaimer: (1.) Due to the custom nature and variation of all add-on systems of this type, no complete system kits are offered by the manufacturer, and any group of parts marketed as a kit is limited to only the individually defined parts in that specific kit. The system designer's rotating accessory components are not included, offered, or fully known by the manufacturer. In addition to the absence of the rotating accessory system, other potential components such as additional clamps, brackets, wear liners, hardware, or other items that may be required by the system designer must be identified and supplied by the actual system designer. (2.) Due to vehicle manufacturer's assembly tolerances, production changes, and installation variances, it is the buyer's responsibility to ensure adequate clearance for all components including space for and safe location of the fan, radiator, all lines, and wires. Check for possible movement, vibration, friction points, heat exposure and/or shifting of any and all components such as hoses, wires, and all other components including those that may otherwise be considered non-moving and/or unaffected by the installation (3.) The buyer is responsible for the entire installation of a mounting kit as the mounting kit is part of a custom process controlled by the buyer through their whole system design and directed installer as the installer evaluates, locates, routes, aligns, and tightens all components while determining if additional clamps, brackets, wear-liners, or other components may be required, beyond those included in the kit. Any additional items required, beyond those included in the kit, are to be provided at the expense of the buyer. (4.) The buyer is responsible for the development and communication of their whole system installation procedures, safety precautions, application, and use of the engine accessory mounting kit in their system, including efforts to maintain vehicle control and prevent pinch, wear, impact, and/or burn exposure on all hoses, wires, and other parts. (5.) The buyer is responsible for providing trained and experienced installation decision making with technical know-how to apply professional judgment that specifically applies to each individual installation. The buyers chosen installers must be qualified and experienced technicians that are familiar with the vehicle and accessory being mounted as well as the buyer's whole system design and installation procedures associated with the kit. (6.) The buyer is responsible for determining and achieving compliance to all regulatory issues that apply to the use of all products. (7.) The manufacturer reserves the right to make changes and/or improvements to any product at any time with or without notice.



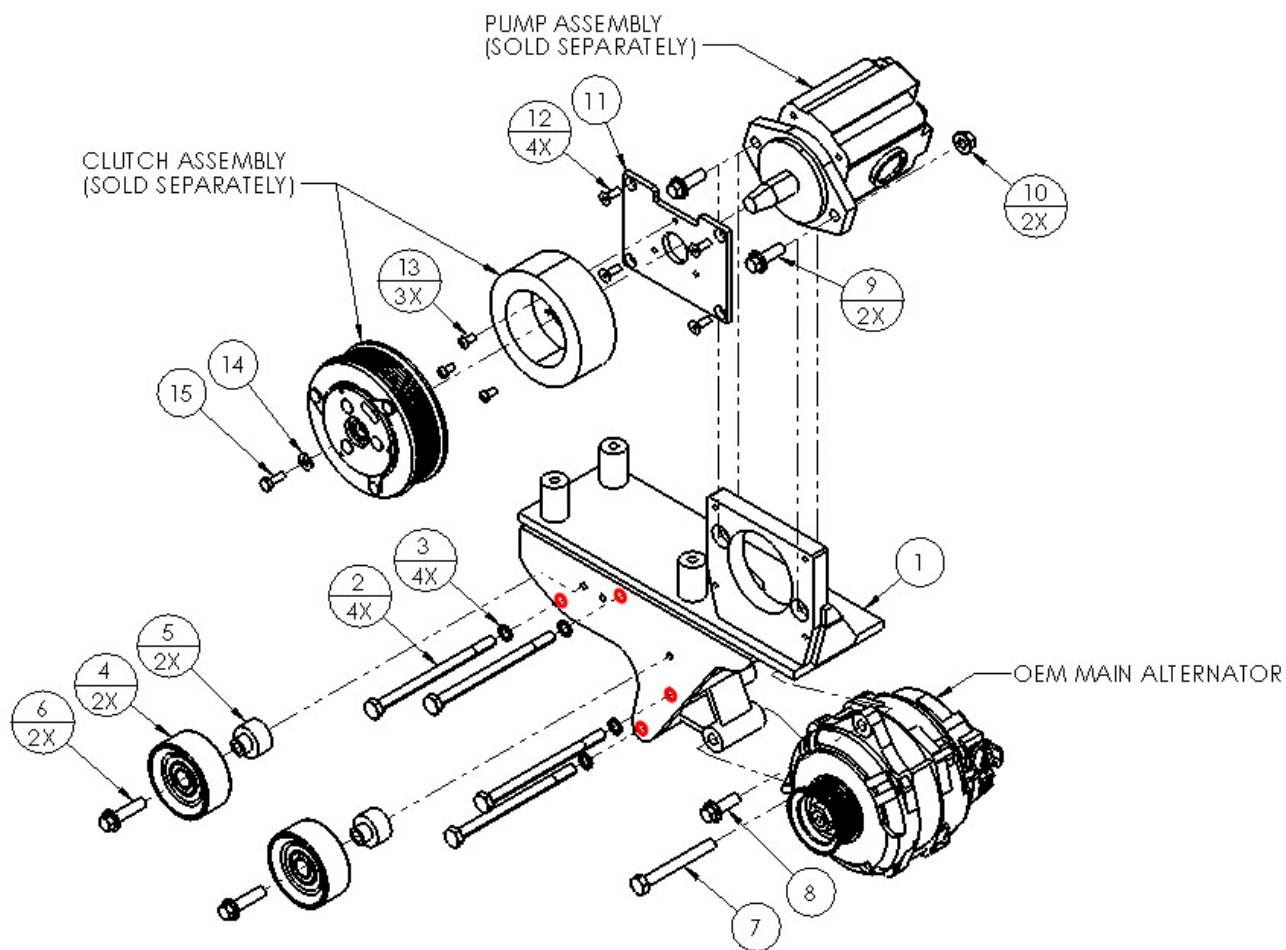
Muncie® Power Products

CMKF21-7300-YP6-AC

2021-2023 Ford F-650-F-750 Super Duty
7.3L V8 Gas w/-w/o A/C, w/o Dual Alternators

Requires 6-Groove Clutch, SAE Two Bolt 'A' Flange Pump
Recommended 1.75 in.³ or 8 gal. Pump w/ 12hp Restriction

NOTE: Must Use Rear Ported Pump



PARTS LIST							
Item	Part Number	Description	Qty.	Item	Part Number	Description	Qty.
Main Bracket				12	1007577	1/4"-20 x 3/4" NC FHSCS	4
1	FMB241A	Main Bracket	1	13	19T34530	Cap screw (T=8-10 ft/lbs) (Comes w/ Clutch)	3
Main Bracket Mounting Hardware				14	21M23487	Flat Washer (Comes w/ Clutch)	1
2	1005275	M10-1.5 x 150mm Bolt	4	15	19T38756	Cap screw (T=20 ft/lbs) (Comes w/ Clutch)	1
3	1003822	M10 Lock Washer	4	Wire Extension Assembly (Not Shown)			
Smooth Idler Pulley Assembly (2x)				16	FMB241WE	Wire Extension	1
4	89007	Dayco Smooth Idler Pulley	2	17	1005393	Heat Shrink	3"
5	FMB241-1	Machined Idler Bushing	2	18	1011623	M8-1.25 x 12mm Flange Bolt	1
6	1006933	M10-1.5 x 40mm Flange Bolt	2	19	1013333	M8-1.25 Flange Nut	1
OEM Main Alternator Mounting Hardware				Belt			
7	N/A	OEM M10-1.5 x 90mm Bolt	1	20	5061093	Dayco 6-Groove 109.3" Belt	1
8	1006927	M10-1.5 x 30mm Flange Bolt	1	Radiator Hose Clamp (Not Shown)			
Clutch Pump Mounting Hardware				21	1006199	#28 Hose Clamp	1
9	1006927	M10-1.5 x 30mm Flange Bolt	2	Radiator Hose Holder Hardware (Not Shown)			
10	1018204	M10-1.5 Flange Nut	2	22	1017265	#32 Loom Clamp	1
11	MCA01	Coil Adapter Plate	1	23	1016341	M6-1.0 x 25mm Flange Bolt	1



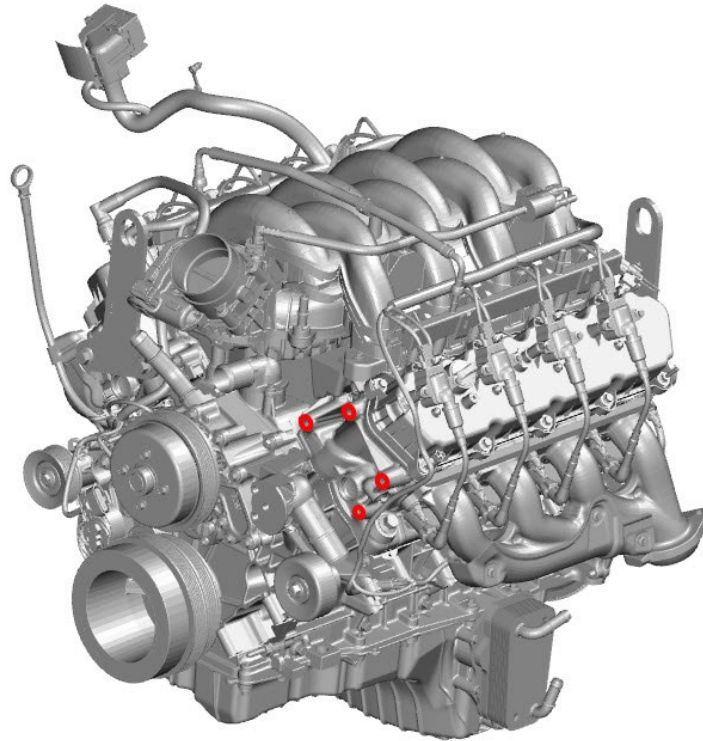
Muncie® Power Products

CMKF21-7300-YP6-AC

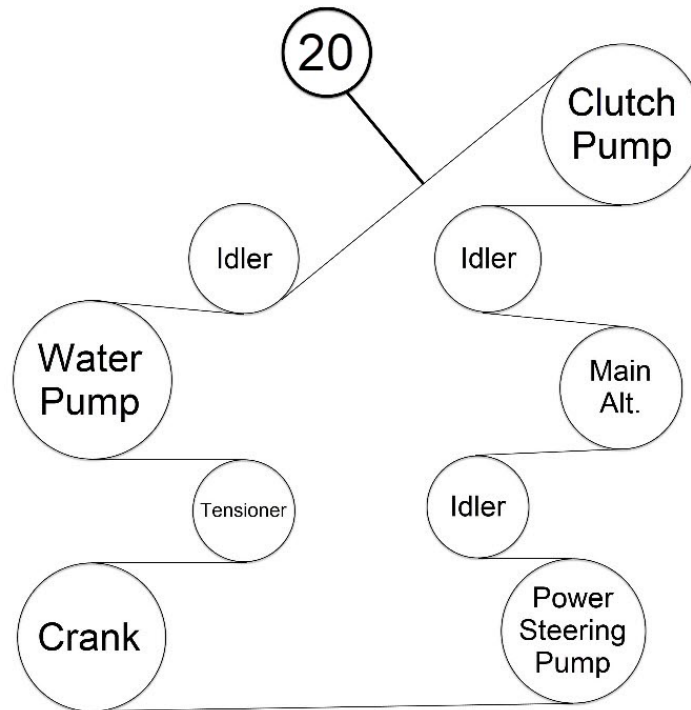
2021-2023 Ford F-650-F-750 Super Duty
7.3L V8 Gas w/-w/o A/C, w/o Dual Alternators

Requires 6-Groove Clutch, SAE Two Bolt 'A' Flange Pump
Recommended 1.75 in.³ or 8 gal. Pump w/ 12hp Restriction

NOTE: Must Use Rear Ported Pump



Mounting Locations



Belt Routing (20)