



**Muncie®
Power
Products**

CMKF23-6700-YP6-AC

2023 (Build Date: 01.01.2023 or Later)-2024 Ford F-250-F-550, F-600 Super Duty
2023 (Build Date: 01.01.2023 or Later)-2024 Ford F-650-F-750
6.7L V8 PowerStroke Diesel w/-w/o A/C, w/o OEM Dual Alternator,
w/o Ford ProPower Option

Requires Muncie SAE Two-Bolt 'A' Flange Pump, 6-Groove Clutch

NOTE: Must use Side Ported Pump w/45° Fittings

NOTE: Pump Restricted to 2.2 in³ Due to Clearance Issues

INSTALLATION NOTES

1. Disconnect batteries. Remove the air cleaner from the passenger side and the charge air tube from the drivers side. Remove the P/S reservoir from the fan shroud and lay aside. It is not necessary to drain any P/S fluid. Remove the top half of the fan shroud. Unplug the fan wire and remove the fan. Fan nut has right hand threads. Remove the top two fan diffuser nuts. Remove the belt and tensioner. Remove the 5 bolts holding the fan hub to the engine and remove it from the engine compartment. Retain the bolts for use in installation.
2. Remove the four bolts from the crank pulley and install the new drive pulley(1) using bolts(2). A mild grade of lock-tite is recommended. Install pump(26) to bracket(3) using bolts(19), lockwashers(20) and nuts(21). It may be necessary to install the fittings into the pump before installing main bracket(3). Remove the split bushings from the OEM bracket and install them into the new bracket. Install the main bracket(3) in place of the fan hub reusing the OEM bolts. Install coil adapter plate(23) using bolts(22). Install coil and clutch per manufacturers instructions. Check alignment with drive pulley.
3. Install the OEM tensioner and the OEM belt back onto the engine as shown in illustration on back. Remove the idler from the OEM fan hub and remove the bolt from the idler. Install the O.E.M. idler using bolt(13), lockwasher(8), flatwasher(7) and bushing(10). Install the pump tensioner bracket(4) onto the bracket and engine using bolts(5,6). Install idler(15) with the short bushing(11) to tensioner bracket(4) using bolt(14), lockwasher(8), and flatwasher(7). Install idler(15) with the long bushing(9) onto bracket(3) using bolt(12), lockwasher(8) and flatwasher(7). Install tensioner(16) using bolt(17). Install pump drive belt(30) as shown in illustration on back. It is always the installers responsibility to check belt alignment.
4. Replace the nuts onto the fan diffuser. It may be necessary to trim the diffuser if it hits the clutch. Replace the fan. Tighten the fan nut, then rotate the wire holder up and bolt it to bracket(4) using bolt(18). Replace the fan shroud. Reinstall the P/S reservoir. Connect the pump hoses. Replace the air cleaner and charge air tube.
5. Make certain no wires come in contact with any moving or hot parts.

CMKF23-6700-YP6-AC

2023 (Build Date: 01.01.2023 or Later)-2024 Ford F-250-F-550, F-600 Super Duty
 2023 (Build Date: 01.01.2023 or Later)-2024 Ford F-650-F-750

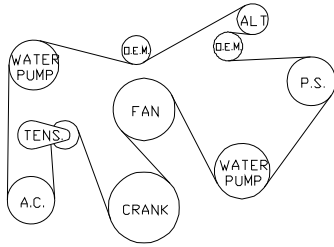
6.7L V8 PowerStroke Diesel w/-w/o A/C, w/o OEM Dual Alternators,
 w/o Ford ProPower Option

Requires Munice SAE Two-Bolt 'A' Flange Pump, 6-Groove Clutch

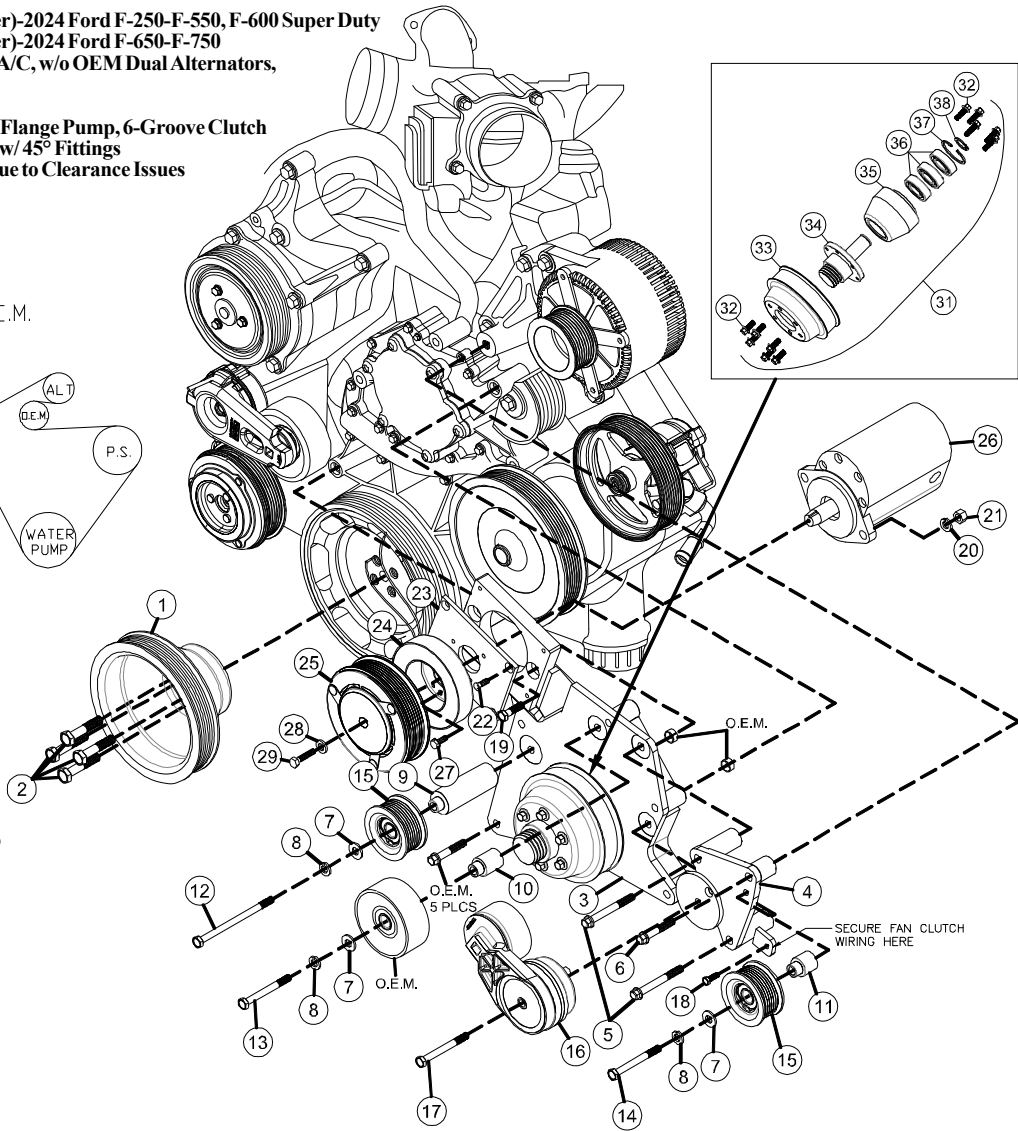
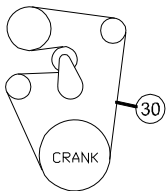
NOTE: Must use Side Ported Pump w/ 45° Fittings

NOTE: Pump Restricted to 2.2 in³ Due to Clearance Issues

6.7L FORD O.E.M.
 BELT ROUTING



PUMP BELT
 ROUTING



PARTS LIST

- | | |
|--|---|
| 1. FPC2666 (1) | 21. 3/8 Nut (2) |
| 2. 12mm x 75mm (4) | 22. 1/4 x 3/4 FHSCS (4) |
| 3. FMP264A-8 (1) (<i>Does not include assembly 31</i>) | 23. MCA01 (1) |
| 4. FMB2660 (1) | 24. Coil (<i>Sold Separately</i>) |
| 5. 10mm x 80mm Flange (2) | 25. Clutch (<i>Sold Separately</i>) |
| 6. 10mm x 50mm Flange (1) | 26. Pump (<i>Sold Separately</i>) |
| 7. 3/8 Flatwasher (3) | 27. Capscrew-19T34530 (t=8-10 ft/lbs) (3) |
| 8. 10mm Lockwasher (3) | 28. Flatwasher-21MZ3487 (1) |
| 9. FMB2667 (1) | 29. Capscrew-19T38756 (t=20 ft/lbs) (1) |
| 10. FMB2616 (1) | 30. Dayco 5060710 (1) |
| 11. FMB2665 (1) | 31. FSK262 (1) |
| 12. 10mm x 120mm (1) | ITEM 31 INCLUDES ITEMS 32-38 |
| 13. 10mm x 60mm (1) | 32. 8mm x 20mm Flange (11) |
| 14. 10mm x 50mm (1) | 33. FPC2620 (1) |
| 15. 89051 (2) | 34. FSO261 (1) |
| 16. 89470 Dayco (1) | 35. FMB2611 (1) |
| 17. 10mm x 65mm (1) | 36. MRC205SZZ Bearing (3) |
| 18. 8mm x 12mm Flange (1) | 37. HO206ST-PA Snap Ring (1) |
| 19. 3/8 x 1-1/2 (2) | 38. SH98 Snap Ring (1) |
| 20. 3/8 Lockwasher (2) | |