



**Muncie®
Power
Products**

CMKF23-73DA-YP6-AC

2023-2024 Ford F-250-F-550, F-600 Super Duty
7.3L V8 Gas w/-w/o A/C, w/ OEM Dual Alternators
2023-2024 Ford F-250-F-550, F-600 Super Duty
6.8L V8 Gas w/-w/o A/C, w/ OEM Dual Alternators

Requires 6-Groove Clutch, Muncie SAE Two Bolt 'A' Flange Pump
Recommended 1.75 in.³ or 8 gal. Pump w/ 12hp Restriction

NOTE: Must Use Rear Ported Pump

INSTALLATION NOTES

1. The buyer is responsible for providing trained and experienced installation decision making with technical know-how to apply professional judgment that specifically applies to each individual installation.
2. Be sure to read and understand all available information including but not limited to instructions, warnings, sale terms, and warranties for the vehicle and all system components prior to attempting installation.
3. Disconnect both battery cables. Drain coolant low enough for removal of upper radiator hose. Disconnect the upper radiator hose at the radiator.
4. Remove fan clutch wire and bracket from engine. Remove OEM belt. Disconnect alternator wires and lay aside. Remove both OEM alternators. Remove OEM alternator bracket and bolts. The bolts will not be reused.
5. Install main bracket (1) with bolts (2) and lock washers (3) onto the engine block (make sure to install bolt into bracket hole closest to water pump before installing bracket).
6. Install wire extension (14) to OEM main alternator wire with hardware (16-17) and heat shrink (15). Install OEM main alternator with OEM bolt (7) and bolt (8) onto main bracket (1). Install the two smooth idler pulley assemblies (4-6) onto main bracket (1) (install in hole furthest from the water pump). Install OEM secondary alternator with bolts (9) onto main bracket (1) (make sure wire harness is placed between the two mounting holes). Install clutch pump assembly onto main bracket (1) (pump belly facing the inside) according to the manufacturers' specifications with provided mounting hardware (10-13). Install wires to both alternators.
7. Install belt (24). Reinstall fan wire and OEM wire bracket.
8. Remove factory clamp from radiator hose (this is done by cutting at holes and separate plastic clamp). Install rubber elbow (19) with hose clamps (21) installed loosely onto the upper radiator hose quick disconnect. Install steel tube (18) with the expanded end into the rubber elbow (19) and adjust as shown in the photo. Mark and cut the OEM upper radiator hose at the appropriate location so it will slip over the steel tube (18) by approximately 1½". Install hose clamp (20) loosely. Then, push steel tube (18) into the modified OEM upper radiator hose. Adjust hose for best fit and clearance to the clutch. Then, tighten all hose clamps and secure the hose to the fan shroud with loom clamp (22) and bolt (23).
9. Reconnect the upper radiator hose quick disconnect to the radiator if needed. Replace the engine coolant and check for leaks.

CAUTION: Before starting the engine, check to make certain no wires, hoses, etc. that may have been disturbed during installation do not come in contact with any hot or moving parts. Properly refill any fluids that may have been drained, check for leaks. Run the engine and check for proper belt tracking and clearance of any hoses, wires, etc. It is the installer's responsibility to correct/adjust any components, if necessary, before the vehicle is put into service.



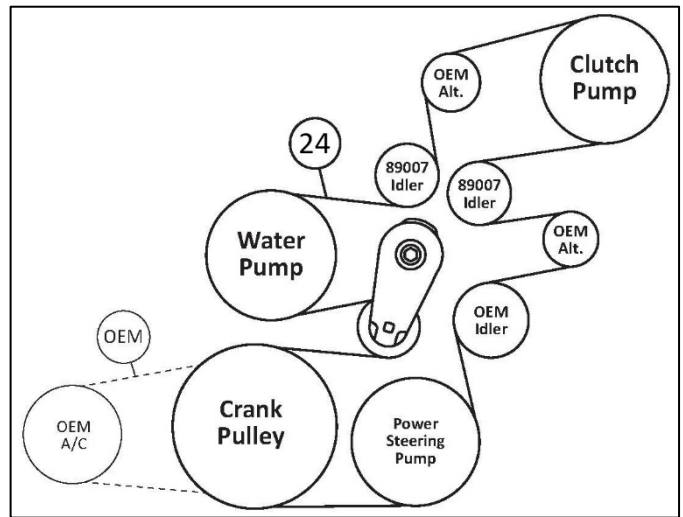
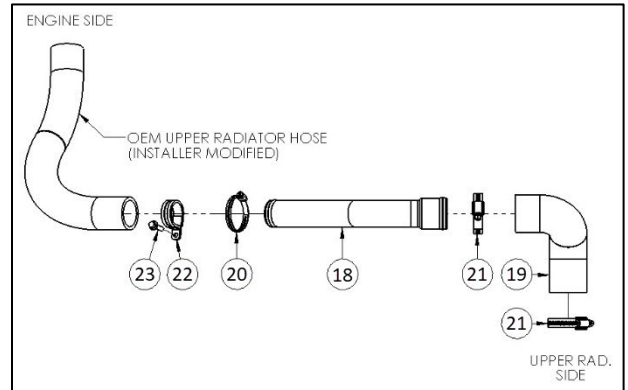
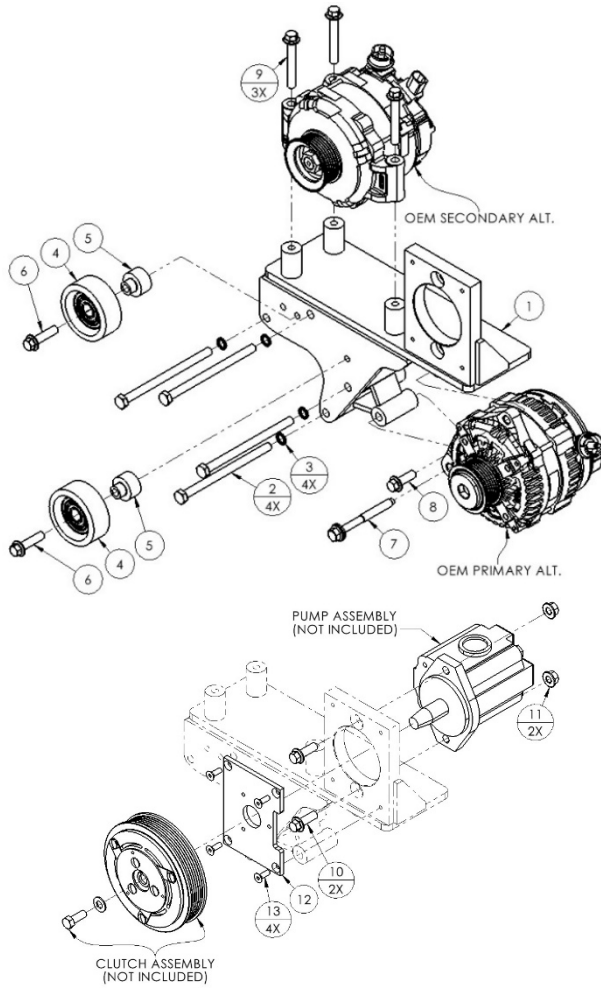
Muncie® Power Products

CMKF23-73DA-YP6-AC

2023-2024 Ford F-250-F-550, F-600 Super Duty
7.3L V8 Gas w/-w/o A/C, w/ OEM Dual Alternators
2023-2024 Ford F-250-F-550, F-600 Super Duty
6.8L V8 Gas w/-w/o A/C, w/ OEM Dual Alternators

Requires 6-Groove Clutch, Muncie SAE Two Bolt 'A' Flange Pump
Recommended 1.75 in.³ or 8 gal. Pump w/ 12hp Restriction

NOTE: Must Use Rear Ported Pump



PARTS LIST							
Item	Part Number	Description	Qty.	Item	Part Number	Description	Qty.
Main Bracket				12	MCA01	Muncie Coil Adaptor	1
1	FMB242A-I6	Main Bracket	1	13	1007577	1/4"-20 x 3/4" NC Gr5 FHSCS	4
Main Bracket Mounting Hardware				Wire Extension (Not Shown)			
2	1005275	M10-1.5 x 150mm 10.9Gr Hex Bolt	4	14	FMB241WE	Wire Extension	1
3	1003822	M10-1.5 Lock Washer	4	15	1005393	Heat Shrink	3"
Smooth Idler Pulley Assembly (2x)				16	1011623	M8-1.25 x 12mm 10.9Gr Hex Flg. Bolt	1
4	89007	Dayco Smooth Idler Pulley	2	17	1013333	M8-1.25 10.9Gr Hex Flg. Nut	1
5	FMB241-1	Machined Idler Bushing	2	Upper Radiator Hose Modification Assembly			
6	1006933	M10-1.5 x 40mm 10.9Gr Hex Flg. Bolt	2	18	FMB241-2	Fabricated Steel Tube	1
OEM Main Alternator Mounting Hardware				19	FMB241-3	Custom Modified Rubber Elbow	1
7	N/A	OEM M10-1.5 x 90mm Bolt	1	20	1016325	#24 Hose Clamp	1
8	1006927	M10-1.5 x 30mm 10.9Gr Hex Flg. Bolt	1	21	1006199	#28 Hose Clamp	2
OEM Secondary Alternator Mounting Hardware				22	1017265	#32 Loom Clamp	1
9	1016343	M10-1.5 x 70mm 10.9Gr Hex Flg. Bolt	3	23	1016341	M6-1.0 x 25mm 10.9Gr Hex Flg. Bolt	1
Clutch Pump Mounting Hardware				Belt			
10	1006927	M10-1.5 x 30mm 10.9Gr Hex Flg. Bolt	2	24	5061130	Dayco 6-Groove, 113.0" Belt	1
11	1018204	M10-1.5 10.9Gr Hex Flg. Nut	2				



**Muncie®
Power
Products**

CMKF23-73DA-YP6-AC

2023-2024 Ford F-250-F-550, F-600 Super Duty

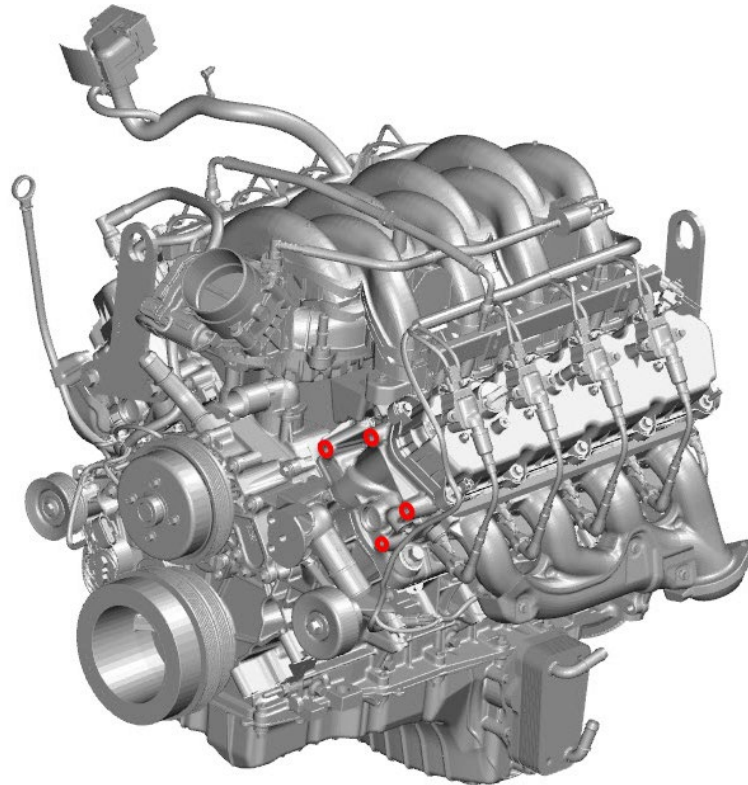
7.3L V8 Gas w/-w/o A/C, w/ OEM Dual Alternators

2023-2024 Ford F-250-F-550, F-600 Super Duty

6.8L V8 Gas w/-w/o A/C, w/ OEM Dual Alternators

Requires 6-Groove Clutch, Muncie SAE Two Bolt 'A' Flange Pump
Recommended 1.75 in.³ or 8 gal. Pump w/ 12hp Restriction

NOTE: Must Use Rear Ported Pump



Main Bracket Mounting Location



As Shown: Auxiliary Clutch Pump Application

