



**Muncie®
Power
Products**

**CMKF93-8300-A
CMKF93-8300-AH**

1993-98 Ford F-800

8.3 Cummins (1460)

WO/AC

INSTALLATION NOTES

1. Disconnect battery and loosen serpentine belt.

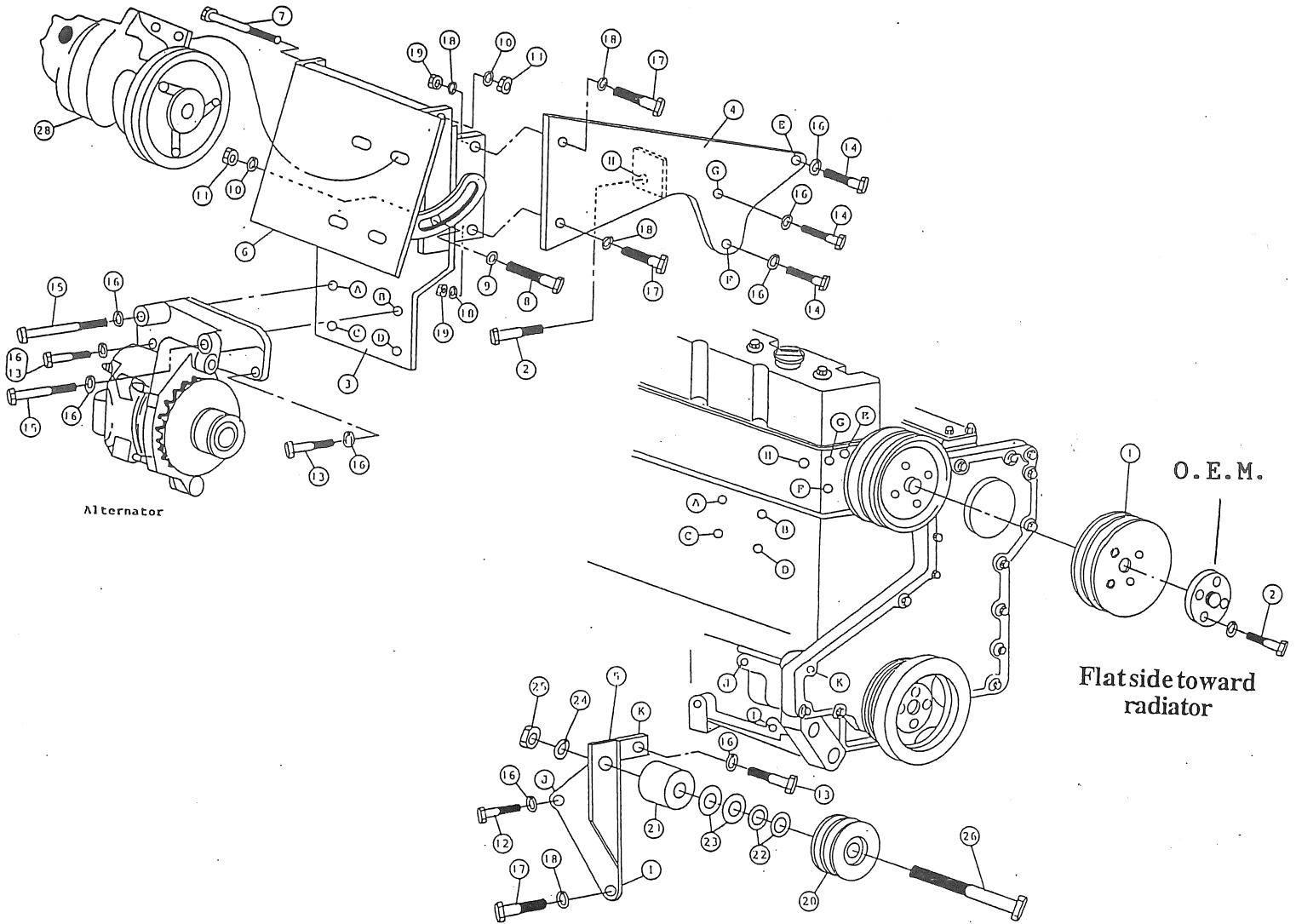
FOR TRUCKS WITH AIR CLUTCH COOLING FAN: Remove the upper radiator support bracket from the radiator and move the top of the radiator ahead. Disconnect air hose at the fan. Remove the entire fan and pulley assembly from the truck by removing the four bolts going into the front of the block. Assembly must be removed from the right hand side of the truck. Dissassemble and install drive pulley between clutch spacer and fan pulley. Re-assemble and install.

FOR TRUCKS WITHOUT AIR CLUTCH COOLING FAN: Remove the fan and install the drive pulley between the fan and fan pulley.

2. Remove alternator bracket and install pump bracket (3) between alternator bracket and engine block. Hand tighten only.
3. Install bracket (4) using holes (E,F & G) on the front of the block, and hole (H) on the side. (Hole (H) is the lifting lug hole). Install bolts (17) with lockwasher and nuts through bracket (3) and bracket (4). Tighten bolts at all locations.
4. Install idler bracket using holes (I & J) on the side of the block, and hole (K) on the front. (Hole (K) is the alternator strap hole). Tighten bolts securely. Align idler pulley with drive pulley by subtracting or adding spacers.
5. Install serpentine belt. Install clutch pump and align it with the drive pulley and idler pulley. Install belt(s) and tighten, reconnect battery.

NOTE: This kit is designed to operate successfully with the standard fan supplied by the manufacturer of your truck. Due to O.E.M. assembly tolerances and change, visually make certain that there is adequate clearance between fan and drive pulley. It may be necessary to use a different spacer for proper clearance.

CMKF93-8300-A
CMKF93-8300-AH
 1993-98 Ford 1460 8.3
 F-800 WO/AC



PARTS LIST

- | | | |
|-------------------------|-------------------------|------------------------------|
| 1. FPC 812 (1) | 11. 3/8 NC (2) | 21. SP175-1.625 (1) |
| 2. 10mm X 30mm SHCS (4) | 12. 8mm X 30mm 1.25 (1) | 22. IPW14 (5) |
| 3. FMB 820 (1) | 13. 8mm X 40mm 1.25 (3) | 23. 5/8 FW (4) |
| 4. FMB 821 (1) | 14. 8mm X 45mm 1.25 (3) | 24. 5/8 LW (1) |
| 5. FMB 822 (1) | 15. 8mm X 80mm 1.25 (2) | 25. 5/8 NC (1) |
| 6. FMP 821 (1) | 16. 8mm LW (9) | 26. 5/8 X 5 NC (1) |
| 7. 3/8 X 5 1/2 NC (1) | 17. 10mm X 30mm 1.5 (3) | 27. AX-65(Not Shown) |
| 8. 3/8 X 1 1/2 NC (1) | 18. 10mm LW (3) | H.D.: AX-67 |
| 9. 3/8 FW (1) | 19. 10mm 1.5 (2) | 28. Clutch Pump Assembly (1) |
| 10. 3/8 LW (2) | 20. GPCD (1) | (Sold Separately) |