



Muncie[®]
Power
Products

CMKF95-5900-A
CMKF95-5900-AH

1995-98 Ford F & LN Series Truck

5.9 Cummins (1060)

W-WO/Hyd. Brakes, WO/AC

(Serpentine)

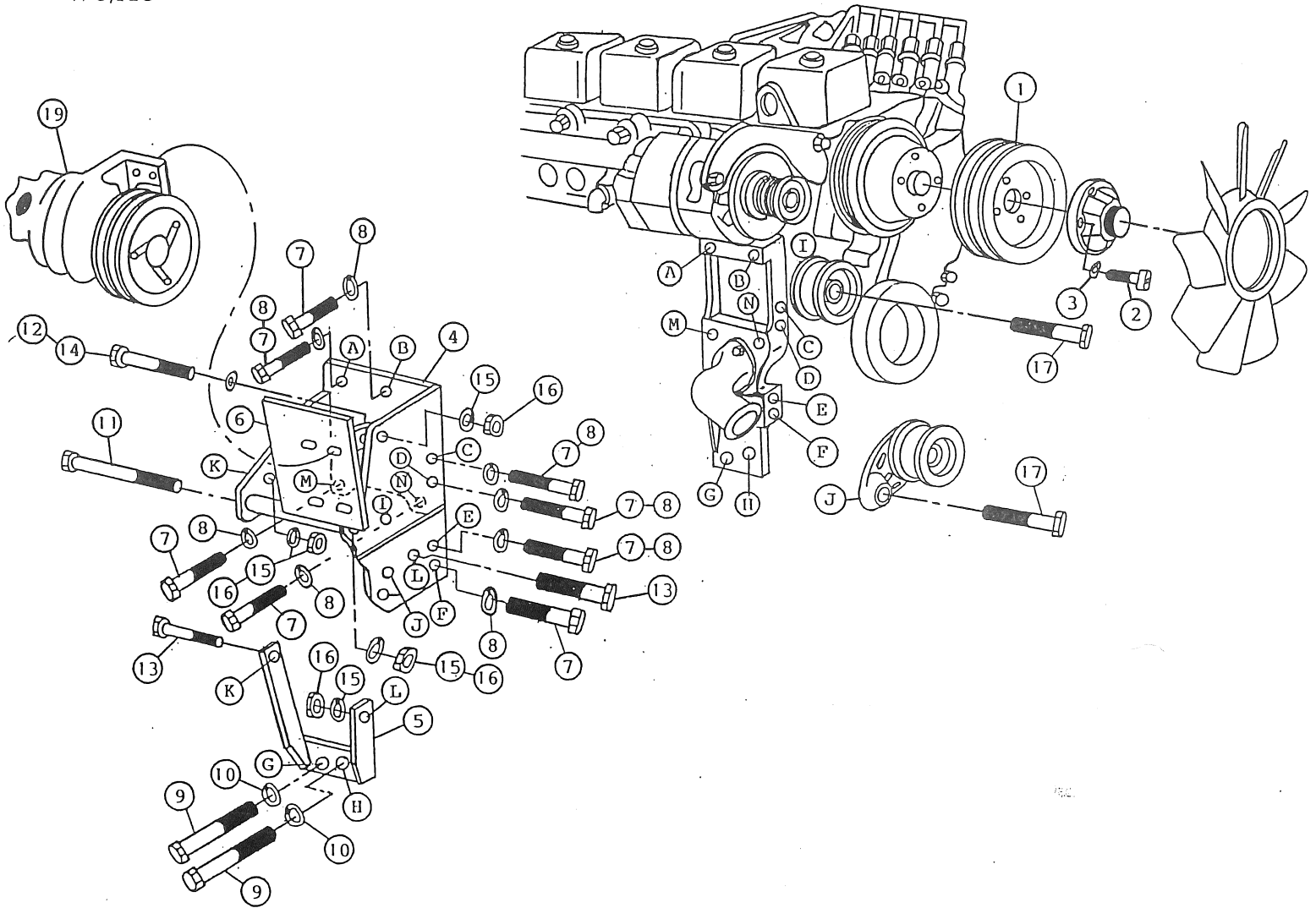
INSTALLATION NOTES

1. Disconnect battery. Remove serpentine belt, fan and fan spacer. Install drive pulley (1) with bolts (2) and lockwashers (3) between fan spacer and factory pulleys.
2. Remove idler at location (1) and belt tensioner idler (J). Discard mounting plates for both idlers at locations (C,D,E & F). Install main bracket (4) at locations (A,B,C,D,E,F,M & N) with bolts (7) and lockwashers (8). Install brace (5) at locations (G & H) with bolts and lockwashers (9 & 10) and at locations (K & L) on main bracket with bolts (13) and lockwashers and nuts (15 & 16).
3. Install O.E.M. idlers on main bracket (4) at locations (I & J) with O.E.M. bolts (17). Install pump plate (6) on bracket (4) with bolts (11 & 14), washers and nuts (14,15 & 16). Install pump (19) on pump plate (6) with mounting bolts provided. Align the clutch pump pulley with the drive pulley and tighten pump bolts.
4. Install serpentine belt. Make sure everything is in alignment. Install drive belts (18) and tension properly. Tighten all mounting bolts.

NOTE: This kit is designed to operate successfully with the standard fan supplied by the manufacturer of your truck. Due to O.E.M. assembly tolerances and change, visually make certain that there is adequate clearance between fan and drive pulley. It may be necessary to use a different fan spacer for proper clearance.

CMKF95-5900-A
CMKF95-5900-AH

1995-98 Ford (1060) 5.9 Cummins
 WO/AC



PARTS LIST

- | | |
|-----------------------------|---|
| 1. FPC 762 (1) | 10. 12mm LW (2) |
| 2. 10mm X 30mm 1.5 SHCS (4) | 11. 3/8 X 5 1/2 NC (1) |
| 3. 10mm LW (4) | 12. 3/8 X 1 1/2 NC (1) |
| 4. FMB 770 (1) | 13. 3/8 X 1 1/4 NC (2) |
| 5. FMB 771 (1) | 14. 3/8 FW (1) |
| 6. FMP 771 (1) | 15. 3/8 LW (4) |
| 7. 8mm X 25mm 1.25 (8) | 16. 3/8 NC (4) |
| 8. 8mm LW (8) | 17. O.E.M. |
| 9. 12mm X 45mm 1.75 (2) | 18. AX-55 (2) (Not Shown), H.D.: AX-57 |
| | 19. Clutch Pump Assembly
(Sold Separately) |