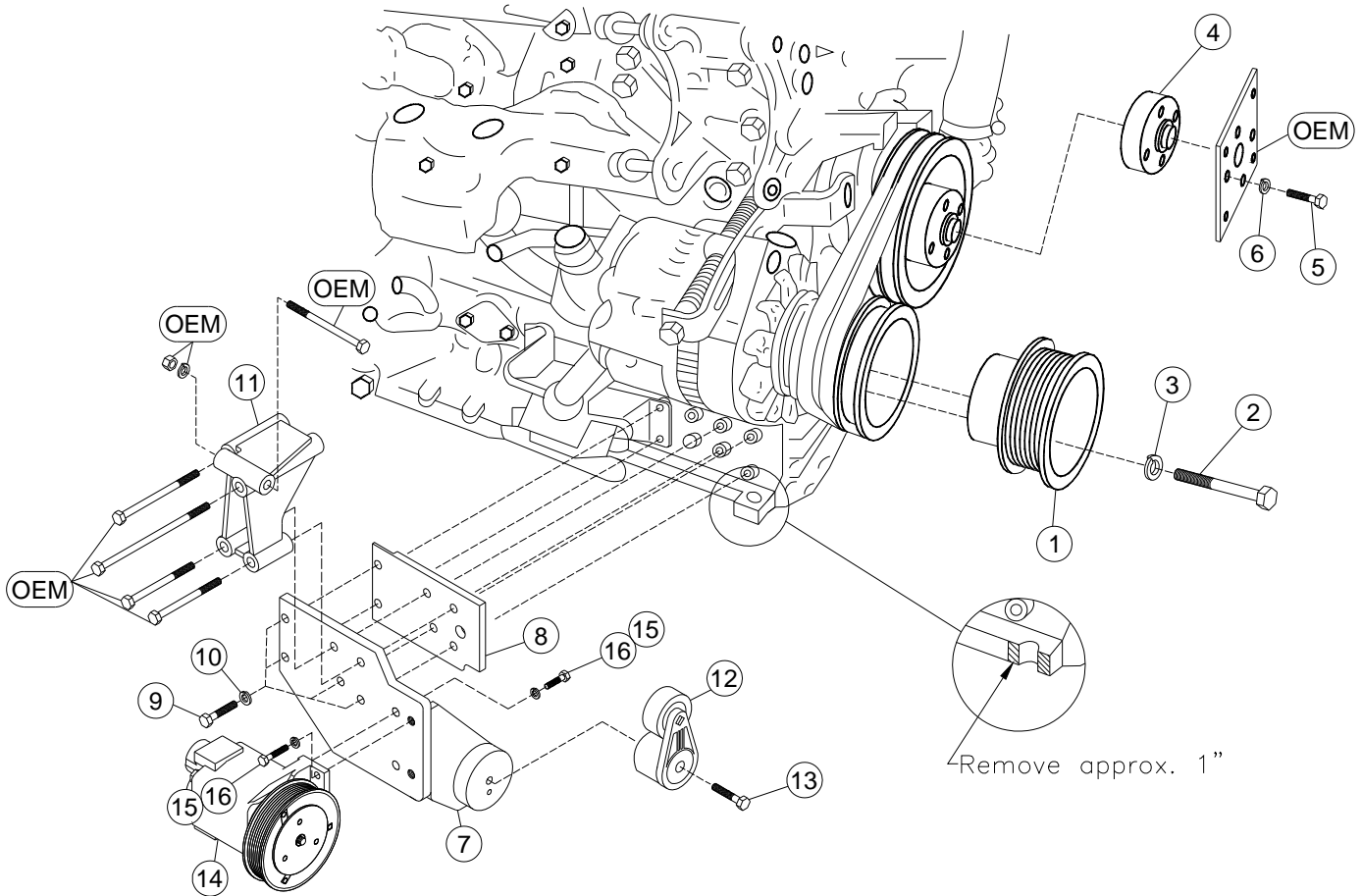




INSTALLATION NOTES

1. Disconnect the negative battery cable. Remove the three bolts holding the fan shroud to the engine braces. Remove the four nuts from the fan clutch and remove the fan and fan clutch assembly from the engine. Loosen the alt. belt and A/C belt if equipped. Remove the fan clutch mounting plate from the water pump.
(Do not remove the pulley).
2. Remove the four bolts holding the crank pulley on the crankshaft.
(It may be necessary to use an impact to remove the bolts). Clean any dirt or rust from the inside of the OEM pulley. Install the drive pulley (1) using four 16mm bolts (2) and lockwashers (3). Tighten securely. Install the aluminum fan spacer (4) and the OEM fan clutch adapter onto the water pump using bolts (5) and lockwashers (6).
3. Before the pump bracket (7) can be installed, a boss on the front of the engine block (approx. 1") must be removed. This can be done using a hacksaw etc. (See illustration)
4. Remove the lower alternator bracket. Remove the front two motor mount bolts. Install the pump mounting bracket (7) and spacer plate (8) onto the engine block at that location using bolts (9) and lockwashers (10). Install new lower alternator bracket (11) as shown in the illustration using O.E.M. bolts. Install the alternator on the new lower alternator bracket (11) using the O.E.M. bolt and nut. Install the pump (14) onto the bracket (7) with bolts (15) and lockwashers (16). Align pump before tightening bolts (15). Install the tensioner (12) with bolt (13). Install the O.E.M. belt(s). Install drive belt (17) onto pump.
5. Install the fan onto the water pump with the four OEM nuts. Using the 1/2 spacers, move the fan shroud ahead and hold in place with bolts provided. **NOTE:** The fan shroud brace on the lower passenger side will need to be removed and a nylon strap is used to hold it in place. Connect the negative battery cable. Check for clearance on all hoses, wires, etc.

CMKI11-5200-P8-
AC 2011-2024 Isuzu
NPR-HD/NQR/NRR
5.2L Diesel W-W/O AC



PARTS LIST

- | | |
|-------------------------|----------------------------|
| 1. SPC 2308 (1) | 10. 10mm LW (4) |
| 2. 16mm x 100mm 1.5 (4) | 11. SMB 2301 (1) |
| 3. 16mm LW (4) | 12. 89231TIPCS (1) |
| 4. FSO 4.7 (1) | 13. 10mm x 55mm (1) |
| 5. 8mm x 35mm 10.9 (4) | 14. Clutch Pump (1) |
| 6. 8mm LW (4) | (Sold Separately) |
| 7. SMP 230A-8 (1) | 15. 3/8 x 1 NC (2) |
| 8. SPS 33 (1) | 16. 3/8 LW (2) |
| 9. 10mm x 40mm 10.9 (4) | 17. Dayco 5080415 Belt (1) |