



Muncie[®]
Power
Products

CMKNDT-3600-A-X

1987-93 International
DTA360 ,W-WO/PS,HD Alt.
WO/AC,WO/AIR BRAKES

INSTALLATION NOTES

1. Disconnect battery terminal. Remove front lifting lug from cylinder head on driver's side - location "C". If equipped with air or vacuum pump, remove belt. Remove the two 3/8 in. bolts on front of water pump - locations "A & B".
2. Install bracket (3) with bolts (7) at locations "A & B", do not tighten bolts. Bolt bracket (1) to bracket (3) with bolts (9) and to cylinder head with bolt (4), tighten bolts at all locations.
3. Install pump plate (2) and pump with bolts (6 & 9). Make sure clutch pulley is in line with two grooves on water pump pulley closest to fan, tighten pump. Install jack-screw (10) to pump plate.
CAUTION: Check clearance between fan and clutch pump.
4. **WITHOUT AIR PUMP:** Install two pump drive belts and adjust pump plate (2) for proper belt tension using jackscrew. Tighten bolts (6 & 9) on pump plate.

WITH AIR PUMP: Install one pump belt on inside groove of clutch pump and adjust pump plate for proper belt tension using jackscrew. Tighten bolts (6 & 9) on pump plate. Install belt around water pump, clutch pump and air pump pulleys. Adjust air pump for proper belt tension. Tighten bolts on air pump.

NOTE: It may be necessary to remove fan to install belts.

5. Connect battery terminal.

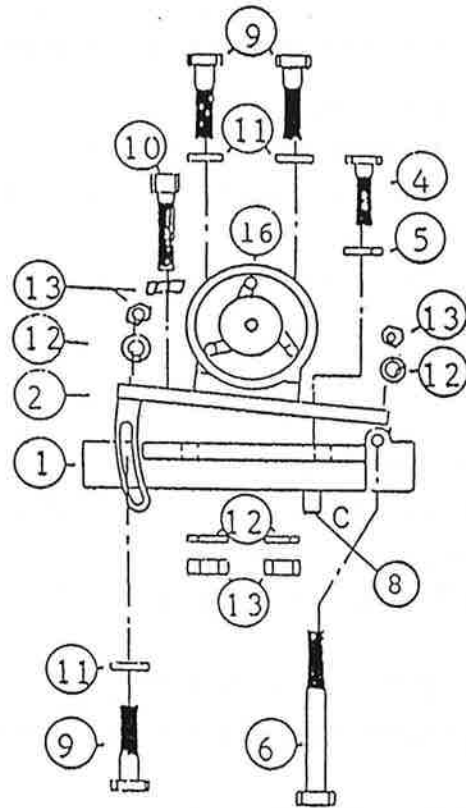
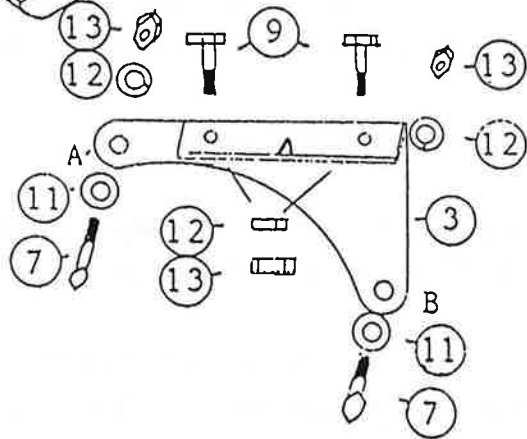
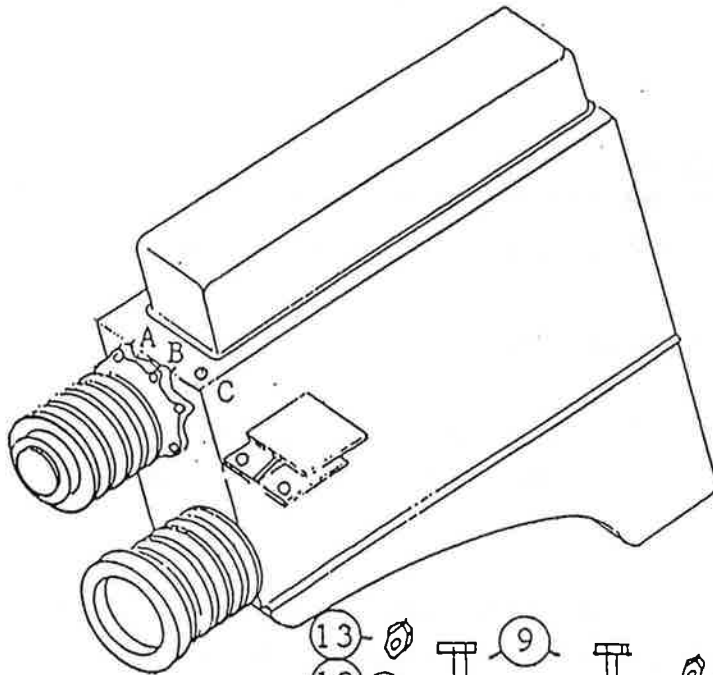
CAUTION: Check all engine compartment hoses and electrical wiring that may have been disturbed or re-routed during kit installation to be sure that hoses are not kinked, that they do not touch any high temperature item, and that they do not interfere with any linkage components.

NOTE: Radiator hose on some older models may need re-routed for clearance around clutch pump.

Cooling line to air compressor may need changed from front port to side port.

CMKNDT-3600-A-X

1987-93 DTA360 INTERNATIONAL
 W-WO/P.S., H.D. ALT.
 WO/AC, WO/AIR BRAKES



PARTS LIST

- | | |
|--------------------------|------------------------------|
| 1. IMB 310 (1) | 9. 3/8 X 1 1/4 NC (6) |
| 2. IMP 311 (1) | 10. 3/8 X 3 1/2 SQ. (1) |
| 3. IMB 311 (1) (Notched) | 11. 3/8 FW (7) |
| 4. 9/16 X 3 NC (1) | 12. 3/8 LW (10) |
| 5. 9/16 LW (1) | 13. 3/8 NC (11) |
| 6. 3/8 X 4 1/2 NC (1) | 14. Clutch Pump Assembly (1) |
| 7. 3/8 X 2 NC GR. 8 (2) | (Sold Separately) |
| 8. SP165 X 1.937 (1) | |