



Muncie<sup>®</sup>  
Power  
Products

CVKF83-3000-A-AC 83-86 Ford Van  
CVKF87-3000-A-AC 87-91 Ford Van  
CVKF92-3000-A-AC 92-95 Ford Van  
E-150,250 & 350  
300 I-6 (4.9L) W-WO/AC

## INSTALLATION NOTES

---

1. Disconnect battery terminal. Remove fan. **NOTE:** '83-'86 models use left hand threads on fan; '87-'93 models have right-hand threads.
2. Remove bolt and washer from center of crankshaft pulley. Install drive pulley (1) with provided bolts, discard O.E.M. washer. **CAUTION:** Be sure threads are the same as removed O.E.M. bolt.
3. On '83-'86 model trucks, remove nuts from studs at locations "A & D". Replace with spacer nuts (13), do not use lockwashers. Remove bolts at locations "B & C". Using spacers and bolts described for each location, install bracket (7) to engine "A" - 1 ea. (12,15,16), "B" - 1 ea. (8,12,14,16), "C" - 1 ea. (8,14,16), and "D" - 1 ea. (15, 16).  
  
On '87 models, thread spacer nuts (13) over O.E.M. nuts on studs at locations "A & C". Remove bolts at locations "B & D". Use bolts (15) at locations "A & C". At locations "B & D", use spacers (8) and either (9 or 10), depending on length of O.E.M. nuts on studs "A & C", with bolts (14).
4. Mount clutch pump (23) to pump plate with bolts (18). Install pump drive belts (22), adjust clutch pump for proper belt tension using jack bolt (17). Be sure clutch pulley is aligned with drive pulley (1). Tighten pump bolts (18).
5. Install fan spacer (6) and fan. Be sure fan is secured. Connect battery terminal.
6. After plumbing pump with suction and pressure hoses, check clearance with steering linkage while tires are turned as much as possible to the passenger side (right). A shorter length of belt may be necessary if there is contact. Be sure hoses do not interfere with any linkage components.

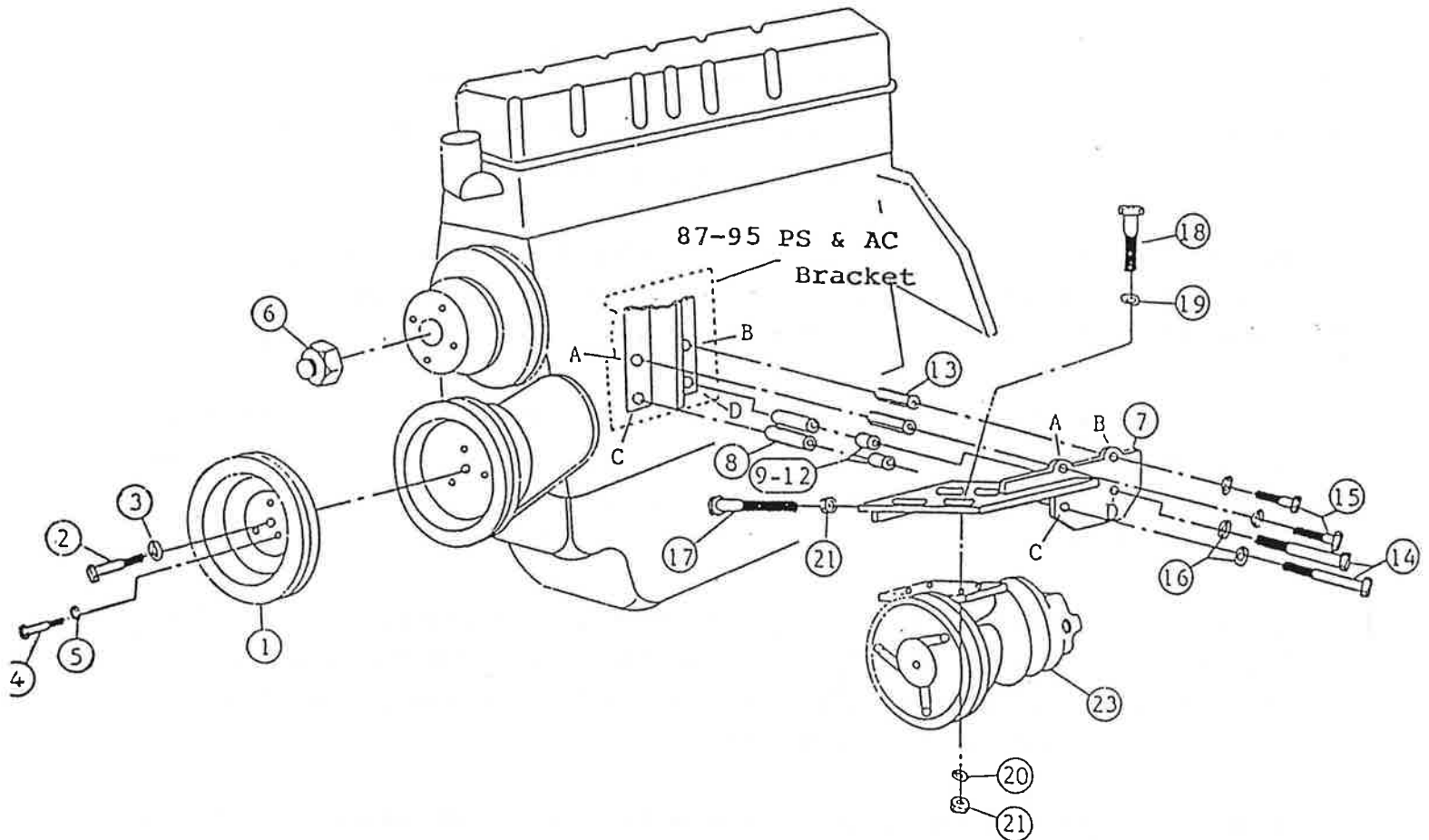
**NOTE:** Visually make certain that there is adequate clearance between fan and drive pulley, and also fan to radiator. It may be necessary to use a longer spacer for pulley clearance. If there is little clearance to the radiator, check with your local Ford dealer to insure that it will not flex into the radiator before operating. Provide adequate clearance between fan and radiator before operating. Move radiator if necessary.

CVKF83-3000-A-AC, CVKF87-3000-A-AC, CVKF92-3000-A-AC

83-86,  
300 I-6 (4.9L) W-WO/AC

87-91,

92-95 Ford Van



PARTS LIST

- |   |   |
|---|---|
| 1. FPC 212 (1)  | 12. SP88-0.187 (2)                                |
| 2. 5/8 X 3 NF (1)   | 13. SP 7/16 NC - 1.750 (2)                        |
| 3. 5/8 LW (1)   | 14. 7/16 X 4 NC (2)                               |
| 4. 3/8 X 2 NC (3)   | 15. 7/16 X 1 1/4 NC (2)                           |
| 5. 3/8 LW (3)   | 16. 7/16 LW (4)                                   |
| 6. FSK 30L (VFK 22)<br>FSK30R (VFK 23)<br>FSK 24 (VFK 24) | 17. 3/8 X 3 1/2 Sq. (1)                           |
| 7. VFP 221 (1)  | 18. 3/8 X 1 1/2 (4)                               |
| 8. SP88-1.750 (2)   | 19. 3/8 FW (4)                                    |
| 9. SP88-0.500 (2)   | 20. 3/8 LW (4)                                    |
| 10. SP88-0.375 (2)  | 21. 3/8 NC (5)                                    |
| 11. SP88-0.250 (2)  | 22. AX-38 (2) (Not Shown)                         |
|   | 23. Clutch Pump Assembly (1)<br>(Sold Separately) |