

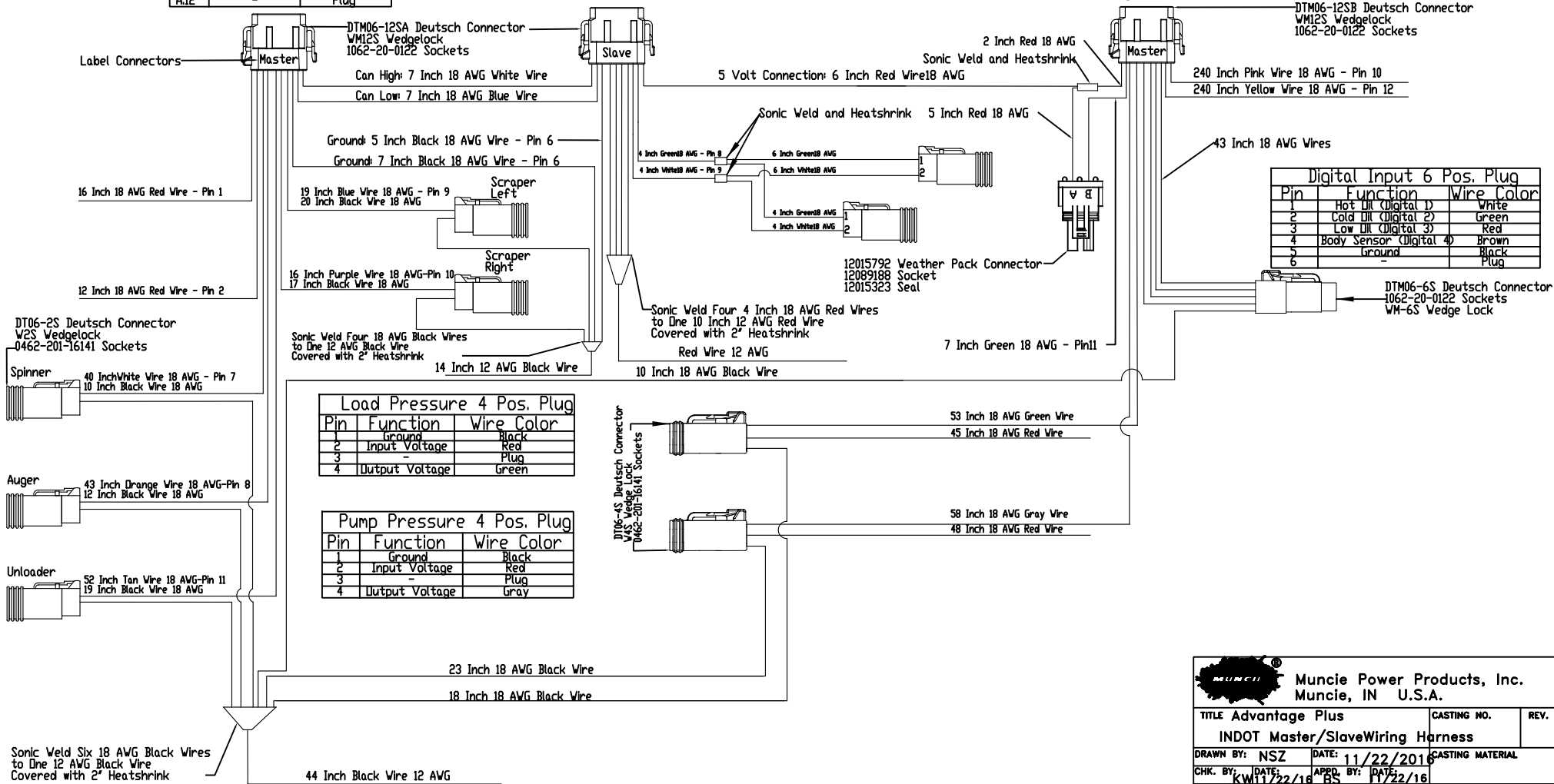
Master 12 Pos. Plug		
Pin	Function	Wire Color
A.1	Battery Power	Red
A.2	To Power Stud	Red
A.3	Relay Control	Blank
A.4	Can High	White
A.5	Can Low	Blue
A.6	Ground	Black
A.7	Spinner	White
A.8	Auger	Orange
A.9	Scraper Left	Blue
A.10	Scraper Right	Purple
A.11	Unloader	Tan
A.12	-	Plug

Slave 12 Pos. Plug		
Pin	Function	Wire Color
A.1	Power	Red
A.2	Power	Red
A.3	Power	Red
A.4	Can High	White
A.5	Can Low	Blue
A.6	Ground	Black
A.7	Power	Red
A.8	Can High	Green
A.9	Can Low	White
A.10	-	Plug
A.11	-	Plug
A.12	5 Volt Input	Red

Master 12 Pos. Plug		
Pin	Function	Wire Color
B.1	Hot Oil	White
B.2	Cold Oil	Green
B.3	Low	Red
B.4	Body Sensor	Brown
B.5	5 Volt Output	Red
B.6	Pump Pressure	Gray
B.7	Load Pressure	Green
B.8	-	-
B.9	-	-
B.10	Ground Speed	Pink
B.11	Temperature Sensor	Green
B.12	Ignition	Yellow

DO NOT SCALE
WORK TO DIMENSIONS
REPORT ERRORS

This Print Contains Information Which is The Property Of MUNCIE POWER PRODUCTS
And is Furnished Only For Service, Instruction Or Parts Identification. It is Not
To Be Used For Manufacturing Or Procurement Purposes From Other Than Proprietary.



Load Pressure 4 Pos. Plug		
Pin	Function	Wire Color
1	Ground	Black
2	Input Voltage	Red
3	-	Plug
4	Output Voltage	Green

Pump Pressure 4 Pos. Plug		
Pin	Function	Wire Color
1	Ground	Black
2	Input Voltage	Red
3	-	Plug
4	Output Voltage	Gray

Digital Input 6 Pos. Plug		
Pin	Function	Wire Color
1	Hot Oil (Digital 1)	White
2	Cold Oil (Digital 2)	Green
3	Low Oil (Digital 3)	Red
4	Body Sensor (Digital 4)	Brown
5	Ground	Black
6	-	Plug

Muncie Power Products, Inc.
Muncie, IN U.S.A.

TITLE Advantage Plus		CASTING NO.	REV.
INDOT Master/SlaveWiring Harness			
DRAWN BY: NSZ	DATE: 11/22/2016	CASTING MATERIAL	
CHK. BY: KWI	DATE: 11/22/16	APPR. BY: BS	DATE: 11/22/16
UNLESS OTHERWISE SPECIFIED		WEIGHT SCALE NA	
SURFACE FINISH 125/		HEAT TREATMENT	
2 PLACE DECIMALS ± 0.030		MATERIAL	
3 PLACE DECIMALS ± 0.010		EXCEPT DRILLED HOLES	
EXCEPT DRILLED HOLES		BREAK SHARP CORNERS	
ALL FILLETS AND RADII 0.12 R.		DRAWING NUMBER: B	REV. 00
		APWH26A	

SIMILAR TO