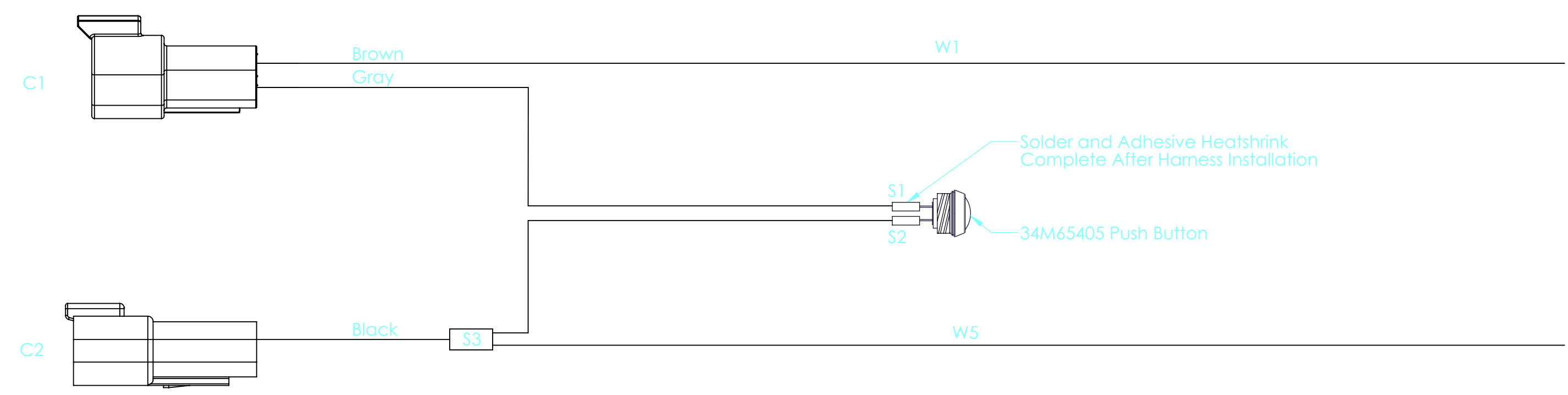


REVISIONS					
REV.	ZONE	DESCRIPTION	ECN/ERN	DATE	BY



- Notes:
- 1) All branches to be wrapped in Tesa 51036 tape
 - 2) All braches with connector leave 1" of wire exposed before connector
 - 3) All splices ("S") to be soldered and covered in 2" of adhesive heatshrink

UNLESS OTHERWISE SPECIFIED:		NAME	DATE	 Muncie Power Products, Inc.	
DIMENSIONS ARE IN INCHES		DRAWN	BCM		3/11/22
2 PLACE DECIMAL ±0.030		CHECKED	NZ		3/15/22
3 PLACE DECIMAL ±0.010 EXCEPT DRILLED HOLES		ENG APPR.	KW		3/15/22
BREAK SHARP CORNERS		COMMENTS:	-		
ALL FILLETS AND RADII 0.12 R.		-			
FINISH 125/		-			
INTERPRET GEOMETRIC TOLERANCING PER: ASME Y14.5		-			
MATERIAL -		-			
THIRD ANGLE PROJECTION		SIMILAR TO: -			
		-			
PROPRIETARY AND CONFIDENTIAL		<small>THE INFORMATION CONTAINED IN THIS DRAWING IS THE SOLE PROPERTY OF MUNICIE POWER PRODUCTS, INC. ANY REPRODUCTION IN PART OR AS A WHOLE WITHOUT THE WRITTEN PERMISSION OF MUNICIE POWER PRODUCTS, INC. IS PROHIBITED.</small>			

TITLE:		
Omni PTO Harness		
SIZE	DWG. NO.	REV
C	APWH79A	00
SCALE: N/A	WEIGHT: N/A	SHEET 1 OF 2

General Table															
Wire Number	Wire Label	Wire Color	Wire Gauge	Wire Type	Wire length(IN)	Source Connection	Source Connector P/N	Source Connector Manufacturer	Source Pin Location	Source Pin P/N	Destination Connection	Destination Connector P/N	Destination Connector Manufacturer	Destination Pin Location	Destination Pin P/N
W1	PTO Switch	Brown	16	GXL	24	C1	DT04-3P	DEUTSCH	B	0460-202-16141	Blunt Cut	-	-	-	-
W2	Override Switch	Gray	16	GXL	12	C1	DT04-3P	DEUTSCH	A	0460-202-16141	S1	35K5741	-	-	-
W3	Ground	Black	16	GXL	2	C2	DT04-4P	DEUTSCH	2	0460-202-16141	S3	-	-	-	-
W4	Ground	Black	16	GXL	10	S3	-	-	-	-	S2	35K5741	-	-	-
W5	Ground	Black	16	GXL	22	S3	-	-	-	-	Blunt Cut	-	-	-	-

Legend:

W = Wire

CB = Cable

C = Connector

S = Splice

T = Terminal