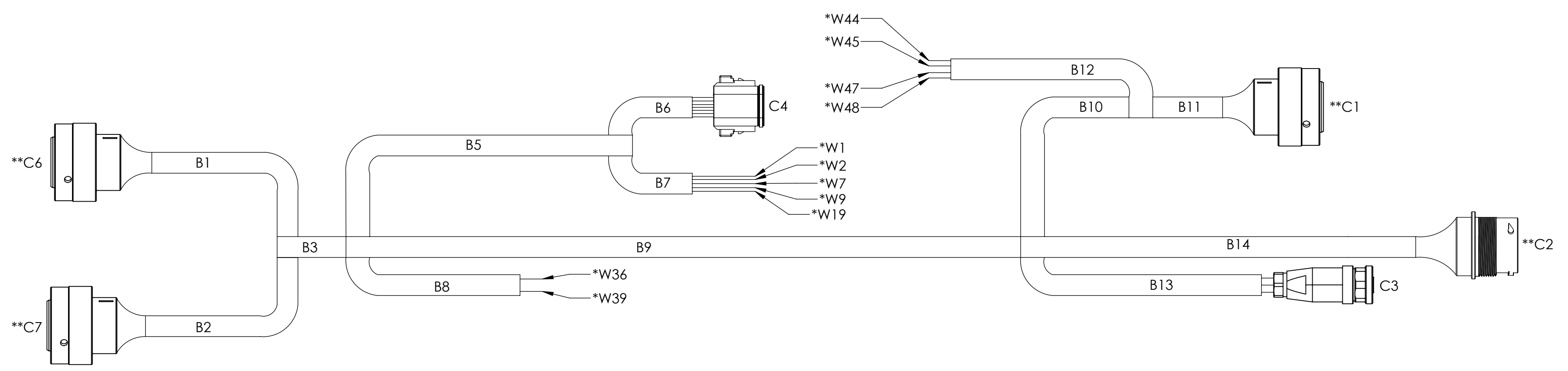


REVISIONS					
REV.	ZONE	DESCRIPTION	ECN/ERN	DATE	BY
1		Fixed Pin Assignment on C7		10/20/2020	NSZ



Branch ID	Branch Length(IN)
B1	8
B2	8
B3	4
B5	222
B6	6
B7	54
B8	84
B9	168
B10	288
B11	12
B12	528
B13	420
B14	180

- Notes:
- 1) All branches to be wrapped in Tesa 51036 tape or Nylon Wrapped.
 - 2) All branches with connector leave 1" of wire exposed before connector
 - 3) All splices ("S") to be soldered or sonic welded and covered in 2" of adhesive heatshrink
 - 4) * Leave 6" exposed on W1, W2, W7, W9, W19, W36, W39, W44, W45, W47, and W48
 - 5) ** Cover back side of connector with 4 inches of Adhesive Line heatshrink digikey P/N: Q670-ND or similar
 - 6) Removed W22, W23, W24, W25, W26, W27, W28, C5, and B4.

UNLESS OTHERWISE SPECIFIED:		NAME	DATE										
DIMENSIONS ARE IN INCHES		DRAWN	NSZ		TITLE: INDOT 2020 Body Harness								
2 PLACE DECIMAL ±0.030		CHECKED	BM										
3 PLACE DECIMAL ±0.010 EXCEPT DRILLED HOLES		ENG APPR.	KW										
BREAK SHARP CORNERS		COMMENTS:											
ALL FILLETS AND RADII 0.12 R.													
FINISH 125/													
INTERPRET GEOMETRIC TOLERANCING PER: ASME Y14.5													
MATERIAL -													
THIRD ANGLE PROJECTION		SIMILAR TO:											
PROPRIETARY AND CONFIDENTIAL THE INFORMATION CONTAINED IN THIS DRAWING IS THE SOLE PROPERTY OF MUNCIIE POWER PRODUCTS, INC. ANY REPRODUCTION IN PART OR AS A WHOLE WITHOUT THE WRITTEN PERMISSION OF MUNCIIE POWER PRODUCTS, INC. IS PROHIBITED.				<table border="1"> <tr> <td>SIZE</td> <td>DWG. NO.</td> <td>REV</td> </tr> <tr> <td>C</td> <td>APWH82A</td> <td>01</td> </tr> <tr> <td>SCALE: N/A</td> <td>WEIGHT: N/A</td> <td>SHEET 1 OF 2</td> </tr> </table>	SIZE	DWG. NO.	REV	C	APWH82A	01	SCALE: N/A	WEIGHT: N/A	SHEET 1 OF 2
SIZE	DWG. NO.	REV											
C	APWH82A	01											
SCALE: N/A	WEIGHT: N/A	SHEET 1 OF 2											

Wire Number	Wire Label	Wire Color	Wire Gauge	Wire Type	Wire length(IN)	Source Connection	Source Connector P/N	Source Connector Manufacturer	Source Pin Location	Source Pin P/N	Destination Connection	Destination Connector P/N	Destination Connector Manufacturer	Destination Pin Location	Destination Pin P/N
W1	+12 Volt Battery	Red	10	GXL	288	C6	HDP26-24-91SN-P064	Deutsch	1	0462-203-08141	Blunt Cut	-	-	-	-
W2	Battery Ground	Black	10	GXL	288	C6	HDP26-24-91SN-P064	Deutsch	3	0462-203-08141	Blunt Cut	-	-	-	-
W3	Controller Power	Red	16	GXL	240	C6	HDP26-24-91SN-P064	Deutsch	5	0462-201-16141	C4	DT06-08SA	Deutsch	1	0462-201-16141
W4	Controller Ground	Black	16	GXL	240	C6	HDP26-24-91SN-P064	Deutsch	6	0462-201-16141	C4	DT06-08SA	Deutsch	2	0462-201-16141
W5	Controller CAN-HI	White	16	GXL	240	C6	HDP26-24-91SN-P064	Deutsch	8	0462-201-16141	C4	DT06-08SA	Deutsch	3	0462-201-16141
W6	Controller CAN-LO	Green	16	GXL	240	C6	HDP26-24-91SN-P064	Deutsch	9	0462-201-16141	C4	DT06-08SA	Deutsch	4	0462-201-16141
W7	Ignition	Yellow	16	GXL	288	C7	HDP26-24-21SN	Deutsch	A	0462-201-16141	Blunt Cut	-	-	-	-
W8	Aux Module Power	Red	12	GXL	480	C7	HDP26-24-21SN	Deutsch	B	0462-203-12141	C1	HDP26-24-19SN	Deutsch	8	0462-203-12141
W9	Speedometer	Pink	16	GXL	288	C7	HDP26-24-21SN	Deutsch	C	0462-201-16141	Blunt Cut	-	-	-	-
W10	Auger Feedback	Green	16	GXL	600	C7	HDP26-24-21SN	Deutsch	F	0462-201-16141	C3	T4110001041-000	TE Connectivity AMP Connectors	4	-
W11	Aux Module Ground	Black	12	GXL	480	C7	HDP26-24-21SN	Deutsch	D	0462-203-12141	C1	HDP26-24-19SN	Deutsch	10	0462-203-12141
W12	Anti-Ice Ground	Black	12	GXL	6	C7	HDP26-24-21SN	Deutsch	E	0462-203-12141	S2	-	-	-	-
W13	Anti-Ice Power	Red	12	GXL	6	C7	HDP26-24-21SN	Deutsch	G	0462-203-12141	S1	-	-	-	-
W14	Aux Module CAN-HI	White	16	GXL	480	C7	HDP26-24-21SN	Deutsch	J	0462-201-16141	C1	HDP26-24-19SN	Deutsch	7	0462-201-16141
W15	Aux Module CAN-LO	Green	16	GXL	480	C7	HDP26-24-21SN	Deutsch	K	0462-201-16141	C1	HDP26-24-19SN	Deutsch	9	0462-201-16141
W16	+5 Volt Anti-Ice	Orange	16	GXL	360	C7	HDP26-24-21SN	Deutsch	H	0462-201-16141	C2	HDP24-18-14PE	Deutsch	K	0460-202-16141
W17	Anti-Ice Feedback	Blue	16	GXL	360	C7	HDP26-24-21SN	Deutsch	L	0462-201-16141	C2	HDP24-18-14PE	Deutsch	N	0460-202-16141
W18	Body Up Signal	Brown	16	GXL	468	C1	HDP26-24-19SN	Deutsch	11	0462-201-16141	S3	-	-	-	-
W19	PTO Output	Blue	16	GXL	288	C7	HDP26-24-21SN	Deutsch	N	0462-201-16141	Blunt Cut	-	-	-	-
W20	PTO Enable	Brown	16	GXL	240	C7	HDP26-24-21SN	Deutsch	P	0462-201-16141	C4	DT06-08SA	Deutsch	5	0462-201-16141
W21	PTO Override	White	16	GXL	240	C7	HDP26-24-21SN	Deutsch	R	0462-201-16141	C4	DT06-08SA	Deutsch	6	0462-201-16141
W28	Anti-Ice P1	Red	16	GXL	354	S1	-	-	-	-	C2	HDP24-18-14PE	Deutsch	A	0460-202-16141
W29	Anti-Ice P2	Red	16	GXL	354	S1	-	-	-	-	C2	HDP24-18-14PE	Deutsch	D	0460-202-16141
W30	Anti-Ice P3	Red	16	GXL	354	S1	-	-	-	-	C2	HDP24-18-14PE	Deutsch	G	0460-202-16141
W31	Anti-Ice P4	Red	16	GXL	354	S1	-	-	-	-	C2	HDP24-18-14PE	Deutsch	L	0460-202-16141
W32	Anti-Ice G1	Black	16	GXL	354	S2	-	-	-	-	C2	HDP24-18-14PE	Deutsch	B	0460-202-16141
W33	Anti-Ice G2	Black	16	GXL	354	S2	-	-	-	-	C2	HDP24-18-14PE	Deutsch	E	0460-202-16141
W34	Anti-Ice G3	Black	16	GXL	354	S2	-	-	-	-	C2	HDP24-18-14PE	Deutsch	H	0460-202-16141
W35	Anti-Ice G4	Black	16	GXL	354	S2	-	-	-	-	C2	HDP24-18-14PE	Deutsch	M	0460-202-16141
W36	Body Up Ground	Black	16	GXL	90	S2	-	-	-	-	Blunt Cut	-	-	-	-
W37	Auger Feedback Ground	Black	16	GXL	596	S2	-	-	-	-	C3	T4110001041-000	TE Connectivity AMP Connectors	3	-
W38	Auger Feedback Power	Red	16	GXL	596	S1	-	-	-	-	C3	T4110001041-000	TE Connectivity AMP Connectors	1	-
W39	Body Up Signal 2	Brown	16	GXL	84	S3	-	-	-	-	Blunt Cut	-	-	-	-
W40	Body up Signal 3	Brown	16	GXL	228	S3	-	-	-	-	C4	DT06-08SA	Deutsch	7	0462-201-16141
W41	Left Boom	White	16	GXL	360	C2	HDP24-18-14PE	Deutsch	C	0460-202-16141	C1	HDP26-24-19SN	Deutsch	1	0462-201-16141
W42	Center Boom	Brown	16	GXL	360	C2	HDP24-18-14PE	Deutsch	F	0460-202-16141	C1	HDP26-24-19SN	Deutsch	2	0462-201-16141
W43	Right Boom	Pink	16	GXL	360	C2	HDP24-18-14PE	Deutsch	J	0460-202-16141	C1	HDP26-24-19SN	Deutsch	3	0462-201-16141
W44	Camera Wash	Blue	16	GXL	660	C1	HDP26-24-19SN	Deutsch	4	0462-201-16141	Blunt Cut	-	-	-	-
W45	Camera Dry	Orange	16	GXL	660	C1	HDP26-24-19SN	Deutsch	5	0462-201-16141	Blunt Cut	-	-	-	-
W46	Camera Ground	Black	16	GXL	648	C1	HDP26-24-19SN	Deutsch	6	0462-201-16141	S4	-	-	-	-
W47	Camera Wash Ground	Black	16	GXL	12	S4	-	-	-	-	Blunt Cut	-	-	-	-
W48	Camera Dry Ground	Black	16	GXL	12	S4	-	-	-	-	Blunt Cut	-	-	-	-
W49	Body Up Output	Gray	16	GXL	240	C7	HDP26-24-21SN	Deutsch	M	0462-201-16141	C4	DT06-08SA	Deutsch	8	0462-201-16141