

MUNCIE POWER PRODUCTS, INC.

International Manufacturer of Power Take-Offs and Hydraulic Systems



IMPORTANT INSTALLATION INSTRUCTIONS

**INCORRECT FLANGE & BRACKET
ORIENTATION WILL ADVERSELY
AFFECT EXTENDED SHAFT LIFE AND
MAY AFFECT WARRANTY COVERAGE**

**SEE ATTACHED PICTURES FOR CORRECT
FLANGE & BRACKET ORIENTATION FOR THESE
SHAFT EXTENSIONS:**

**49TA4833A, 49TA4834A, 49TA4835A, 49TA4840A,
49TA4875A, 49TA4898A & 49TA5003A**

Check the PTO mounting flange orientation against Figure 1. If needed rotate the PTO flange to match Figure 1.

CS20 (A38550) Flange Orientation for Allison 4000 & Left Side Shaft Extension

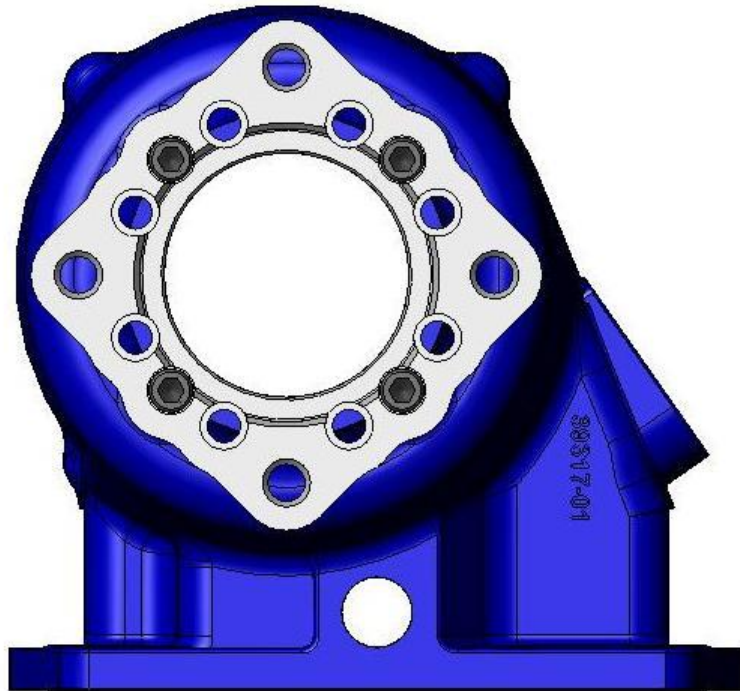


Figure 1

Check the shaft extension mounting flange orientation against Figure 2. If needed rotate the shaft extension flange to match Figure 2.

- 49TA4833A
- 49TA4834A
- 49TA4834A
- 49TA4835A
- 49TA4840A
- 49TA4875A
- 49TA4898A
- 49TA5003A

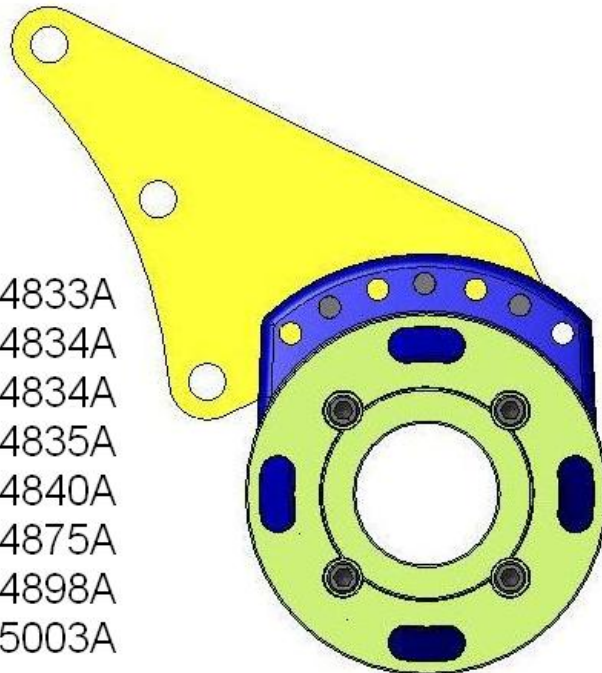


Figure 2

Check the shaft extension mounting bracket orientation against Figure 3. If needed move the shaft extension bracket to match Figure 3.

CS20 Left Side Allison 4000 Bracket Orientation

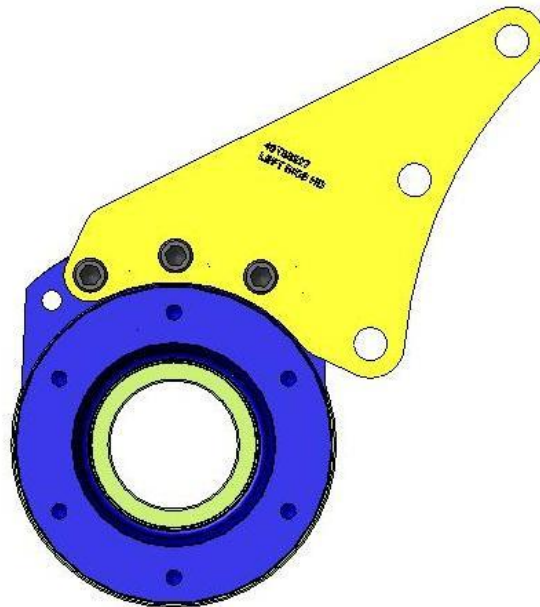


Figure 3

If the bracket bolt holes do not align with the transmission bolt holes similar to Figure 4, recheck to make sure all flange and bracket orientations are as shown in Figures 1-3. If misalignment still exists contact Muncie Power Products for further instructions.

- 49TA4833A
- 49TA4834A
- 49TA4835A
- 49TA4840A
- 49TA4875A
- 49TA4898A
- 49TA5003A

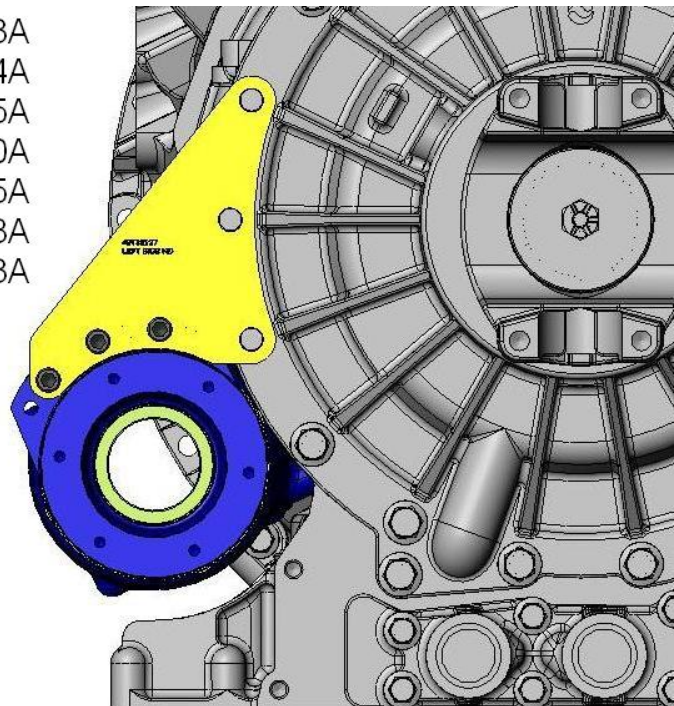


Figure 4