

# **MUNCIE POWER PRODUCTS, INC.**

*International Manufacturer of Power Take-Offs and Hydraulic Systems*



## **IMPORTANT INSTALLATION INSTRUCTIONS**

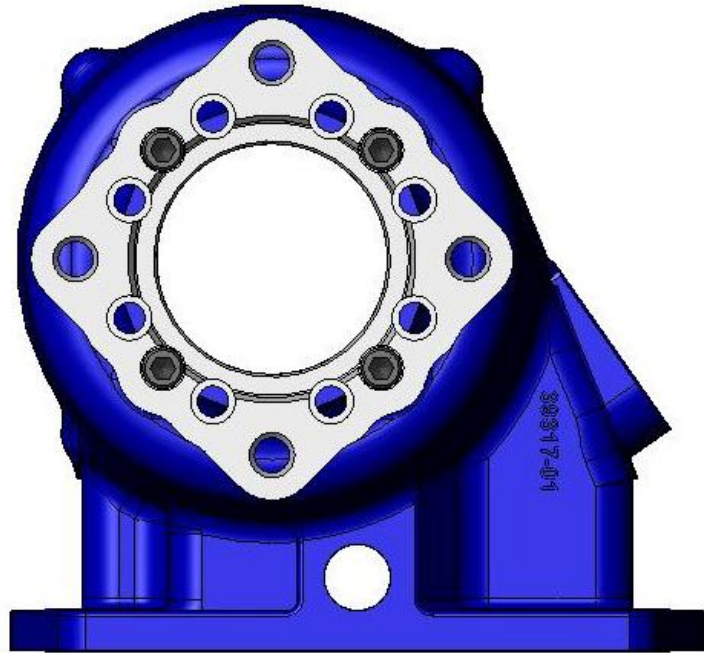
**INCORRECT FLANGE & BRACKET  
ORIENTATION WILL ADVERSELY  
AFFECT EXTENDED SHAFT LIFE AND  
MAY AFFECT WARRANTY COVERAGE**

**SEE ATTACHED PICTURES FOR CORRECT  
FLANGE & BRACKET ORIENTATION FOR THESE  
SHAFT EXTENSIONS:**

**49TA4692A, 49TA4698A, 49TA4788A, 49TA4838A,  
49TA4896A & 49TA5001A**

Check the PTO mounting flange orientation against Figure 1. If needed rotate the PTO flange to match Figure 1.

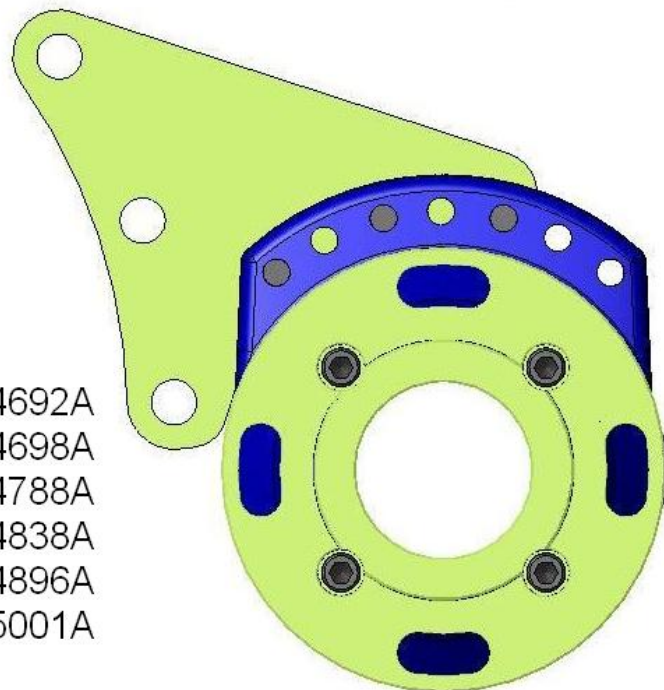
### CS20 (A38550) Flange Orientation for Allison 3000 & Left Side Shaft Extension



**Figure 1**

Check the shaft extension mounting flange orientation against Figure 2. If needed rotate the shaft extension flange to match Figure 2.

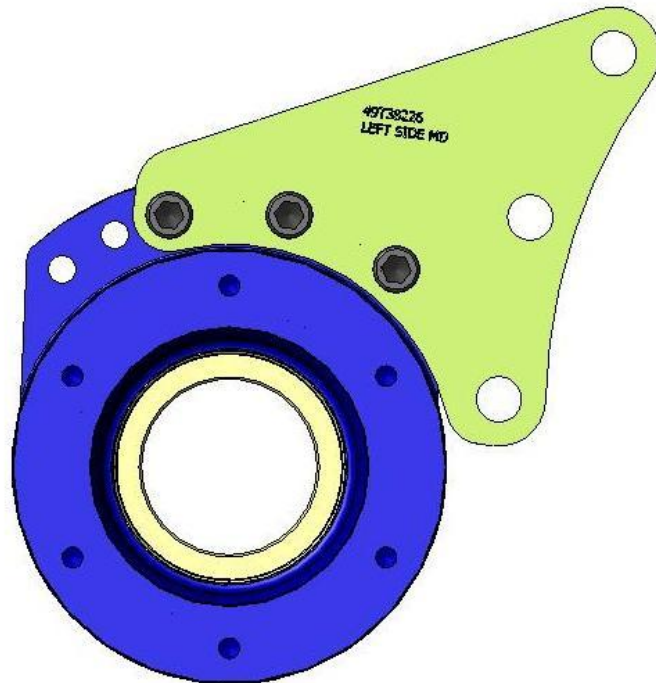
- 49TA4692A
- 49TA4698A
- 49TA4788A
- 49TA4838A
- 49TA4896A
- 49TA5001A



**Figure 2**

Check the shaft extension mounting bracket orientation against Figure 3. If needed move the shaft extension bracket to match Figure 3.

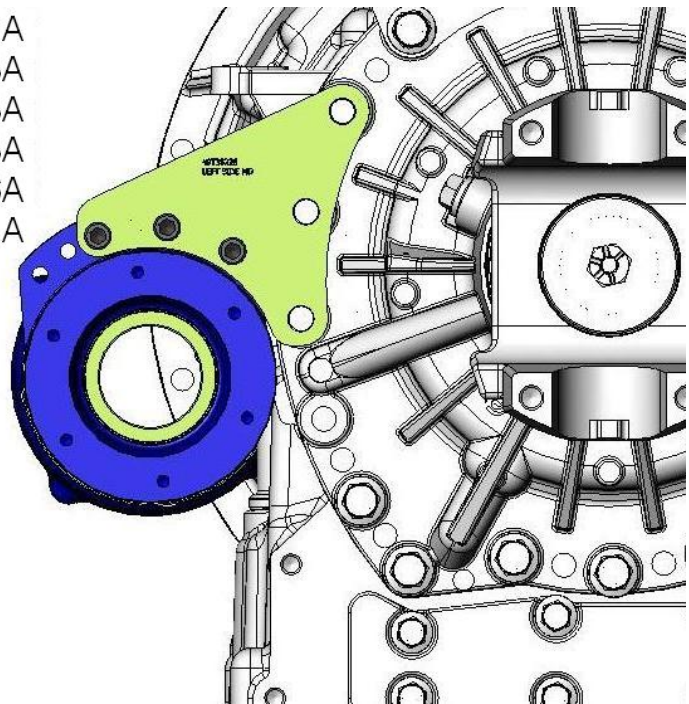
### CS20 Left Side Allison 3000 Bracket Orientation



**Figure 3**

If the bracket bolt holes do not align with the transmission bolt holes similar to Figure 4, recheck to make sure all flange and bracket orientations are as shown in Figures 1-3. If misalignment still exists contact Muncie Power Products for further instructions.

- 49TA4692A
- 49TA4698A
- 49TA4788A
- 49TA4838A
- 49TA4896A
- 49TA5001A



**Figure 4**