

MUNCIE POWER PRODUCTS, INC.

International Manufacturer of Power Take-Offs and Hydraulic Systems



IMPORTANT INSTALLATION INSTRUCTIONS

**INCORRECT FLANGE & BRACKET
ORIENTATION WILL ADVERSELY
AFFECT EXTENDED SHAFT LIFE AND
MAY AFFECT WARRANTY COVERAGE**

**SEE ATTACHED PICTURES FOR CORRECT
FLANGE & BRACKET ORIENTATION FOR THESE
SHAFT EXTENSIONS:**

**49TA4208A, 49TA4209A, 49TA4210A, 49TA4454A &
49TA4457A**

Check the PTO mounting flange orientation against Figure 1. If needed rotate the PTO flange to match Figure 1.

CS20 (A36541) Flange Orientation for Allison 4000 & Left Side Shaft Extension

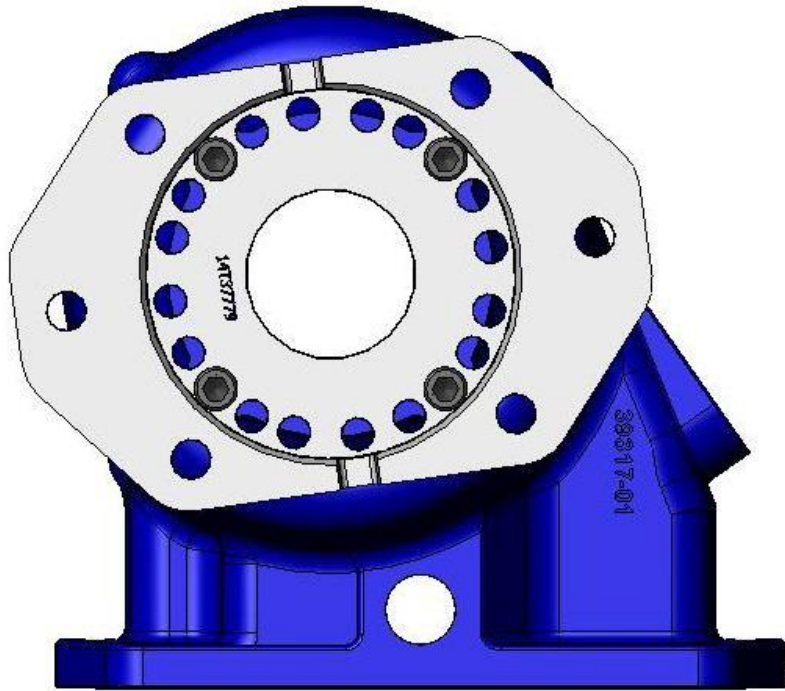


Figure 1

Check the shaft extension mounting flange orientation against Figure 2. If needed rotate the shaft extension flange to match Figure 2.

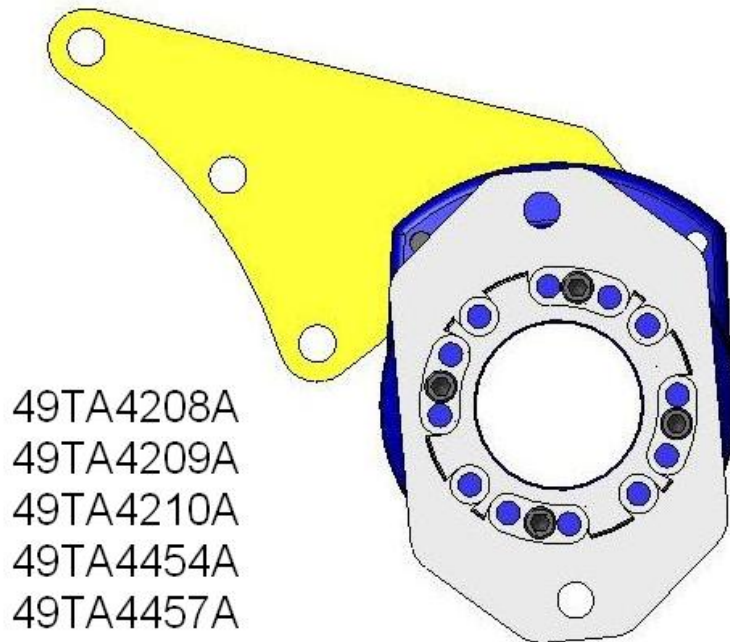


Figure 2

Check the shaft extension mounting bracket orientation against Figure 3. If needed move the shaft extension bracket to match Figure 3.

CS20 Left Side Allison 4000 Bracket Orientation

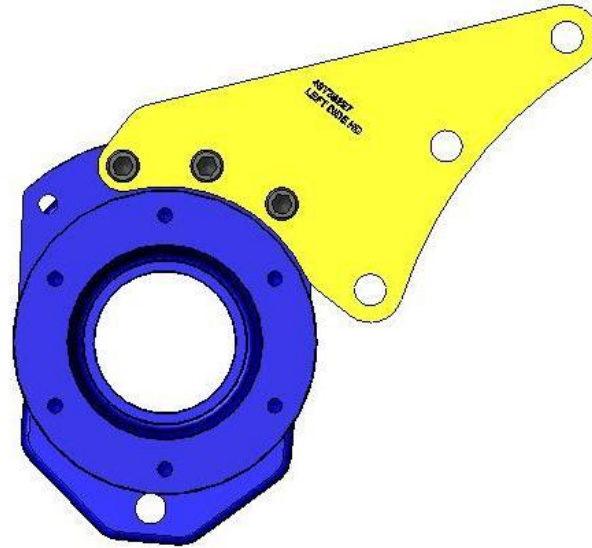


Figure 3

If the bracket bolt holes do not align with the transmission bolt holes similar to Figure 4, recheck to make sure all flange and bracket orientations are as shown in Figures 1-3. If misalignment still exists contact Muncie Power Products for further instructions.

- 49TA4208A
- 49TA4209A
- 49TA4210A
- 49TA4454A
- 49TA4457A

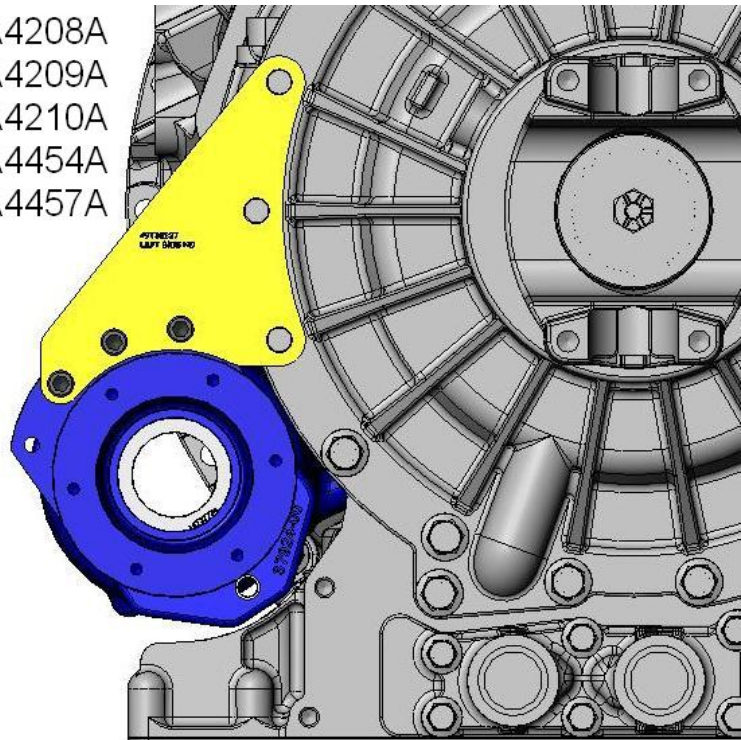


Figure 4