

MUNCIE POWER PRODUCTS, INC.

International Manufacturer of Power Take-Offs and Hydraulic Systems



IMPORTANT INSTALLATION INSTRUCTIONS

**INCORRECT FLANGE & BRACKET
ORIENTATION WILL ADVERSELY
AFFECT EXTENDED SHAFT LIFE AND
MAY AFFECT WARRANTY COVERAGE**

**SEE ATTACHED PICTURES FOR CORRECT
FLANGE & BRACKET ORIENTATION FOR THESE
SHAFT EXTENSIONS:**

**49TA4694A, 49TA4699A, 49TA4789A, 49TA4839A,
49TA4897A & 49TA5002A**

Check the PTO mounting flange orientation against Figure 1. If needed rotate the PTO flange to match Figure 1.

CS20 (A38550) Flange Orientation for Allison 3000 & Right Side Shaft Extension

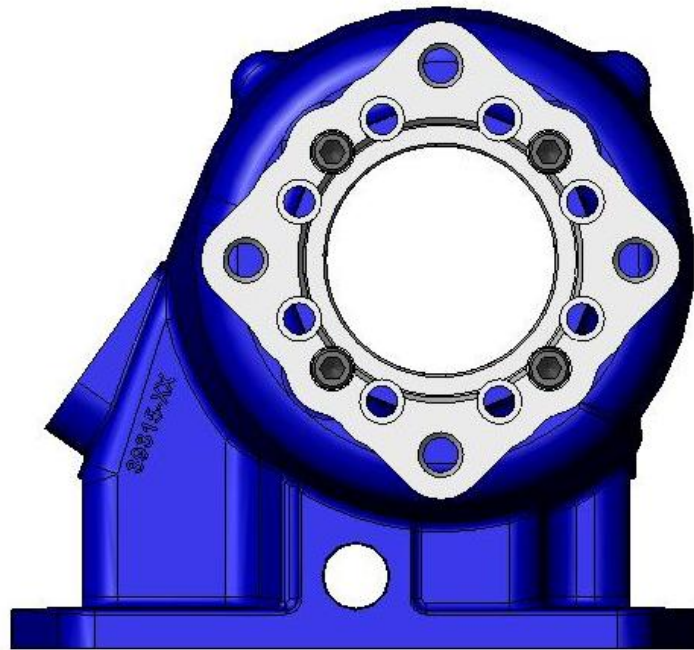
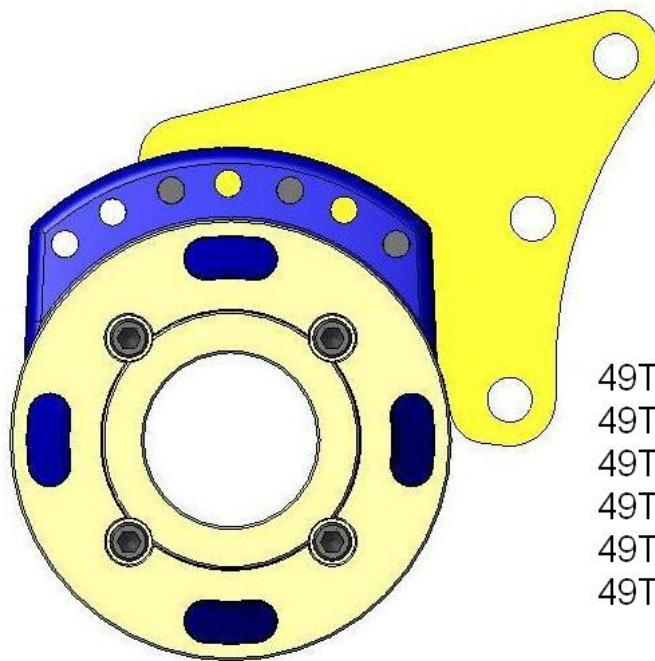


Figure 1

Check the shaft extension mounting flange orientation against Figure 2. If needed rotate the shaft extension flange to match Figure 2.



- 49TA4694A
- 49TA4699A
- 49TA4789A
- 49TA4839A
- 49TA4897A
- 49TA5002A

Figure 2

Check the shaft extension mounting bracket orientation against Figure 3. If needed move the shaft extension bracket to match Figure 3.

CS20 Right Side Allison 3000 Bracket Orientation

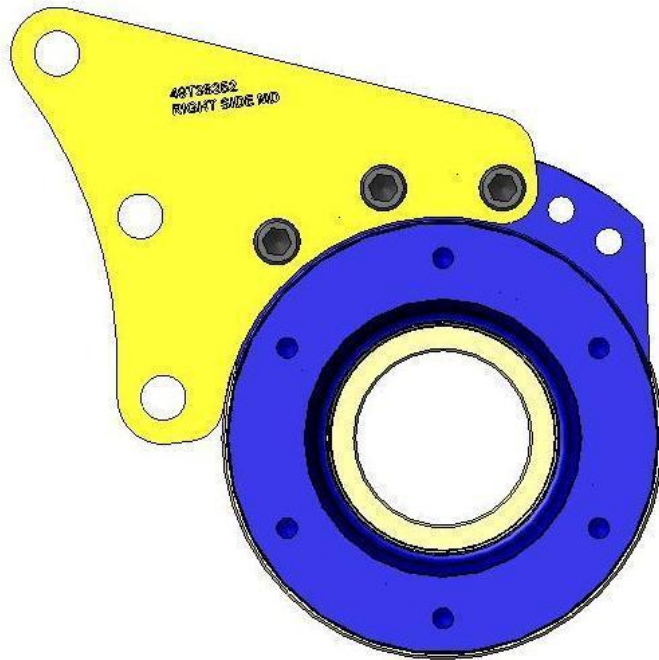
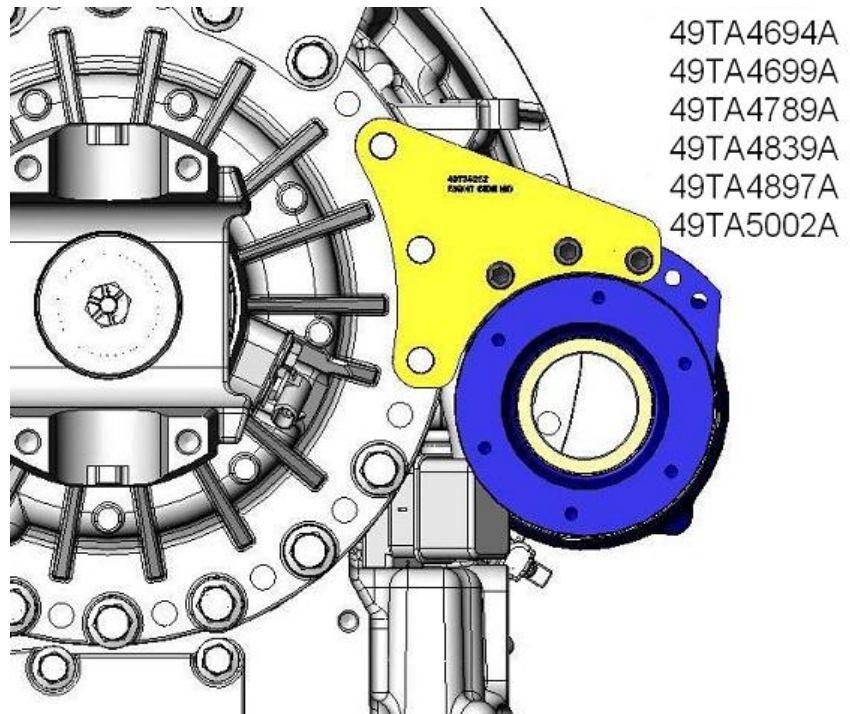


Figure 3

If the bracket bolt holes do not align with the transmission bolt holes similar to Figure 4, recheck to make sure all flange and bracket orientations are as shown in Figures 1-3.

If misalignment still exists contact Muncie Power Products for further instructions.



- 49TA4694A
- 49TA4699A
- 49TA4789A
- 49TA4839A
- 49TA4897A
- 49TA5002A

Figure 4