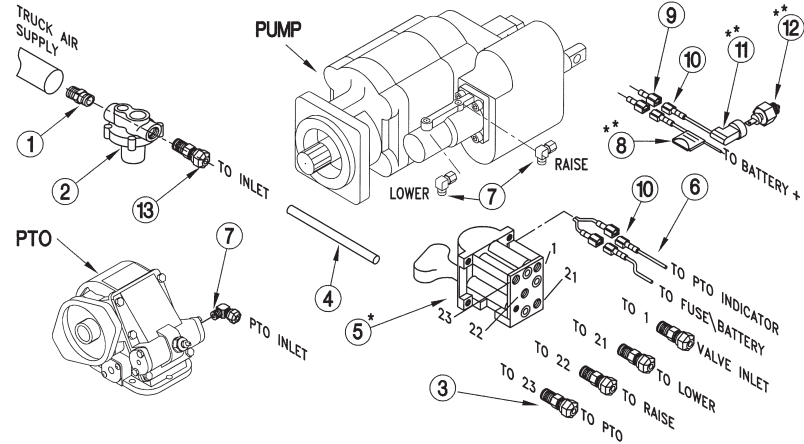


ITEM	QTY	PART NO.	DESCRIPTION
1	1	44MB2164	Nipple
2	1	31M15759	Pressure protection valve
3	4	44MB6842PTC	Tube fitting, push to connect
4	1	45M44430	Tubing 30 ft.
Air valve is described in the last 4 characters of the part no.			
5a*	1	35T38825-AXDX	PTO Auto KO, center detent
5b*	1	35T38825-MXDX	PTO Man KO, center detent
5c*	1	35T38825-AXDD	PTO Auto KO, center & lower detent
5d*	1	35T38825-MXDD	PTO Man KO, center & lower detent
5e*	1	35T38825-ADDD	PTO Auto KO, 3 Pos. detent
5f*	1	35T38825-MDDD	PTO Man KO, 3 Pos. detent
6	12	37M18000	18 Ga. Wire/ft.
7	3	44MB6942PTC	Tube fitting elbow, push to connect
8	1	33T36299	Fuse Assembly
9	3	PM514A	Terminal
10	3	PM513A	Spade Terminal
11**	1	34MA1367	Booted Connector
12**	1	NA	PTO Indicator Switch
13	1	44MB6844PTC	Tube fitting, push to connect
N.S.	2	08470	Cable tie
N.S.	5	1416AC	Grommet
* Item included in air console kit or sold separately.			
** Shipped with PTO.			

# 48T38898 INSTALLATION KIT



The PTO indicator light must be installed so that it is visible to the operator of the vehicle while seated in the driver's seat. Additional indicator lights may need to be purchased to comply with this requirement.



**Muncie®  
Power  
Products**

IN02-05 (Rev. 10-07) Printed in the U.S.A.  
© Muncie Power Products, Inc. 2007

**Muncie Power Products, Inc.** Member of the Interpump Hydraulics Group  
General Offices and Distribution Center • P.O. Box 548 • Muncie, IN 47308-0548  
(765) 284-7721 • FAX (765) 284-6991 • E-mail info@munciepower.com  
Web site <http://www.munciepower.com>

Drive Products, Exclusive Agents for Canada, ISO Certified by an Accredited Registrar