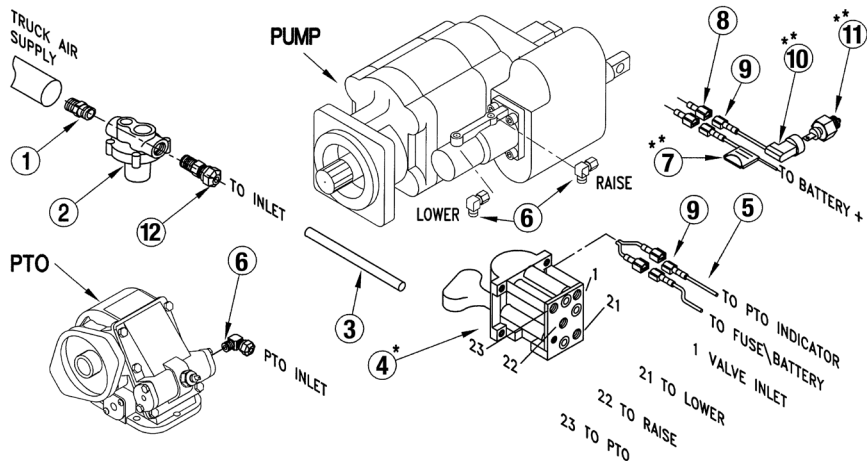




48T40826 INSTALLATION KIT



The PTO indicator light must be installed so that it is visible to the operator of the vehicle while seated in the driver's seat. Additional indicator lights may need to be purchased to comply with this requirement.

ITEM	QTY	PART NO.	DESCRIPTION
1	1	44MB2164	Nipple
2	1	31M15759	Pressure protection valve
3	1	45M44430	Tubing 30 ft.
Air valve is described in the last 4 characters of the part no.			
4a*	1	35T40821-AXDX	PTO Auto KO, center detent
4b*	1	35T40821-MXDX	PTO Man KO, center detent
4c*	1	35T40821-AXDD	PTO Auto KO, center & lower detent
4d*	1	35T40821-MXDD	PTO Man KO, center & lower detent
4e*	1	35T40821-ADDD	PTO Auto KO, 3 Pos. detent
4f*	1	35T40821-MDDD	PTO Man KO, 3 Pos. detent
5	12	37M18000	18 Ga. Wire/ft.
6	3	44MB6942PTC	Tube fitting elbow, push to connect
7	1	33T36299	Fuse assembly
8	3	PM514A	Terminal
9	3	PM513A	Spade terminal
10**	1	34MA1367	Booted connector
11**	1	NA	PTO indicator switch
12	1	44MB6844PTC	Tube fitting, push to connect
N.S.	2	08470	Cable tie
N.S.	5	1416AC	Grommet

* Item included in air console kit or sold separately.
 ** Shipped with PTO.



**Muncie®
Power
Products**

A Member of the Interpump Group

IN07-02 (Rev. 02-18)

201 East Jackson Street • Muncie, Indiana 47305
 800-367-7867 • Fax 765-284-6991 • info@munciepower.com • www.munciepower.com

Specifications are subject to change without notice. Visit www.munciepower.com for warranties and literature. All rights reserved. © Muncie Power Products, Inc. (2007)