



SUPPLEMENTAL INSTRUCTION

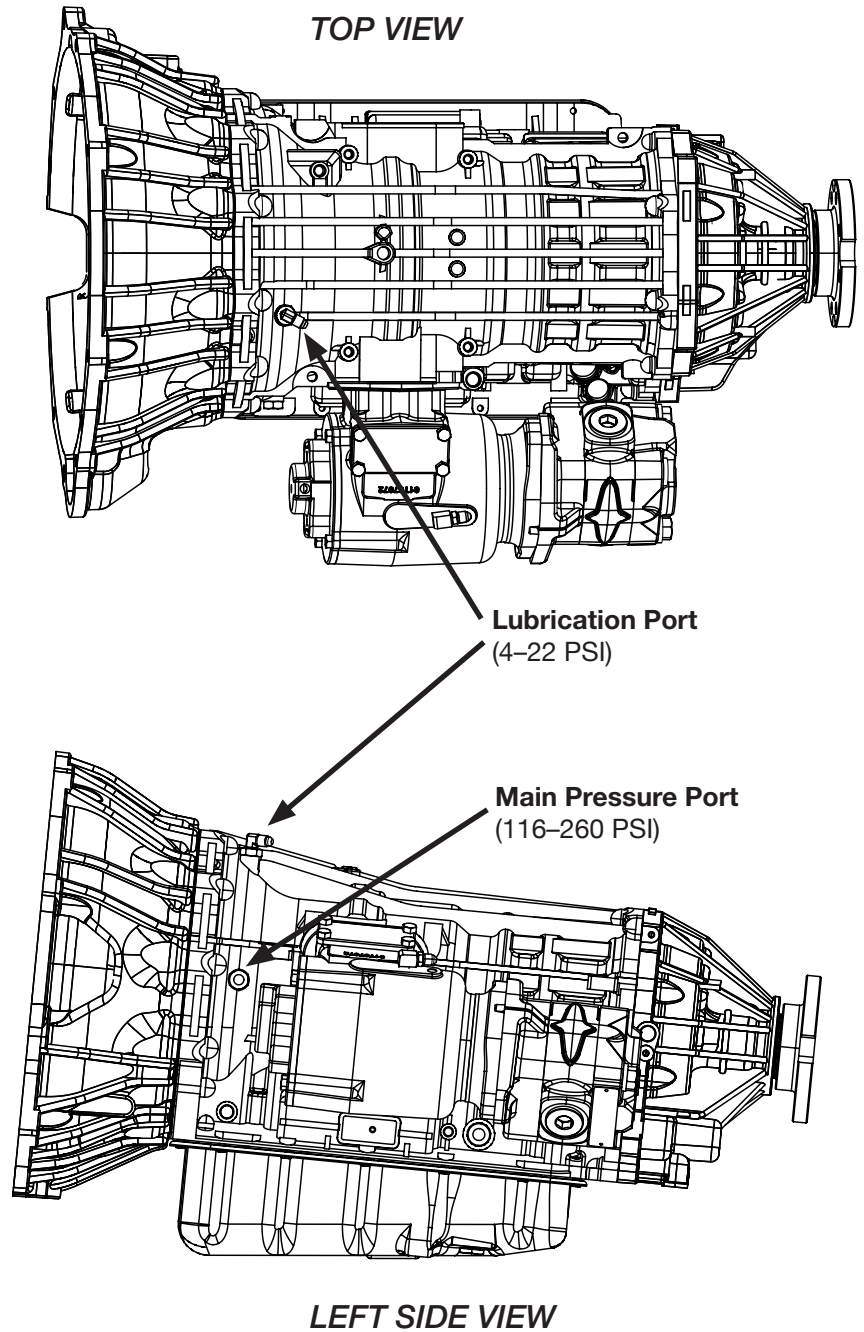
For AISIN MY600, A465, A465id, and A465HD Transmissions

AISIN MY600 and A465, ISUZU, and Hino

This diagram shows the correct porting that is to be used when connecting the Muncie Power PTO to the Aisin MY600 and A465 automatic transmissions. The TG Series PTO uses only the top lubrication port to lubricate the PTO.

The CS6 Series PTO uses the top lubrication port as well as the main pressure port, located on the left side of the transmission in front of the PTO opening.

The solenoid activation valve supplied with the PTO connects to the main pressure port.



LUBRICATION PORT

TG or CS PTO

1/2 - 20UNF-2B

Use 43T39222 Fitting

MAIN PRESSURE PORT

CS PTO Only

1/2 - 20UNF-2B

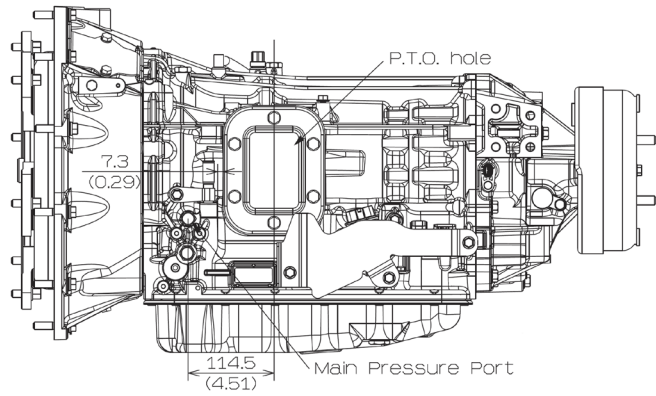
Use 43T39222 Fitting

465HD Transmission Plumbing

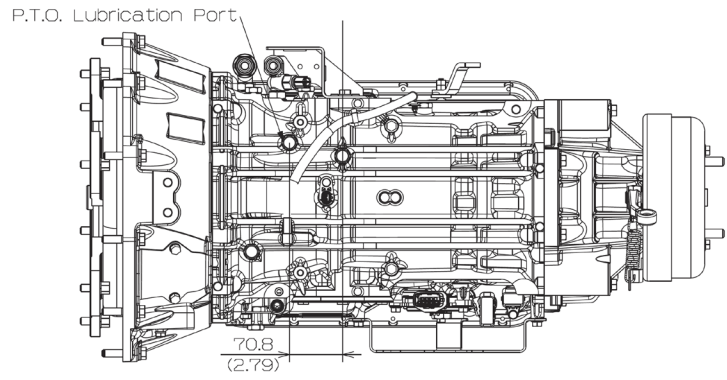
The TG Series PTO uses only the top lubrication port to lubricate the PTO.

The CS6 Series PTO uses the top lubrication port as well as the main pressure port, located on the left side of the transmission in front of the PTO opening.

The solenoid activation valve supplied with the PTO connects to the main pressure port.



Unit : mm (in.)



UPPER VIEW

LUBRICATION PORT

TG or CS PTO

1/2 - 20UNF-2B

Use 43T39222 Fitting

MAIN PRESSURE PORT

CS PTO Only

1/2 - 20UNF-2B

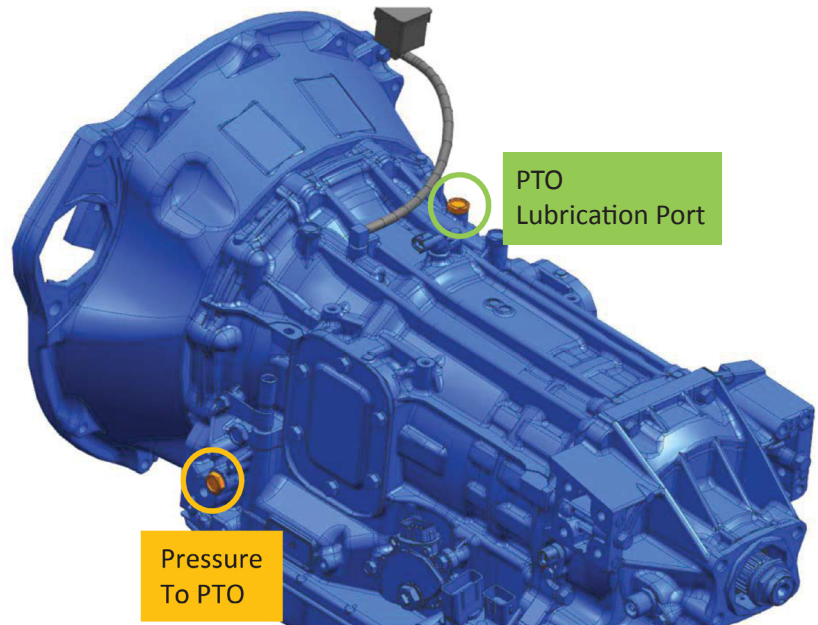
Use 43T39222 Fitting

465id Transmission Plumbing

The TG Series PTO uses only the top lubrication port to lubricate the PTO.

The CS6 Series PTO uses the top lubrication port as well as the main pressure port, located on the left side of the transmission in front of the PTO opening.

The solenoid activation valve supplied with the PTO connects to the main pressure port.



A465id

LUBRICATION PORT

TG or CS PTO

1/2 - 20UNF-2B

Use 43T39222 Fitting

MAIN PRESSURE PORT

CS PTO Only

1/2 - 20UNF-2B

Use 43T39222 Fitting



A Member of the Interpump Group

IN07-07 (Rev. 10-21)

201 East Jackson Street, Muncie, Indiana 47305
800-367-7867 • Fax: 765-284-6991 • info@munciepower.com

Specifications are subject to change without notice. Visit www.munciepower.com for warranties and literature. All rights reserved. © Muncie Power Products, Inc. (2015)