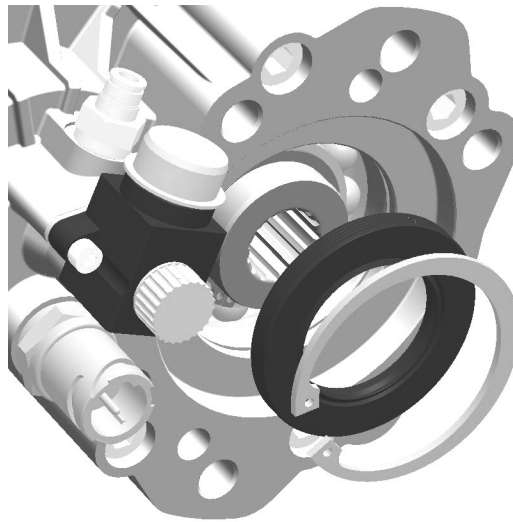




ADD-ON GEARBOX INSTALLATION INSTRUCTIONS

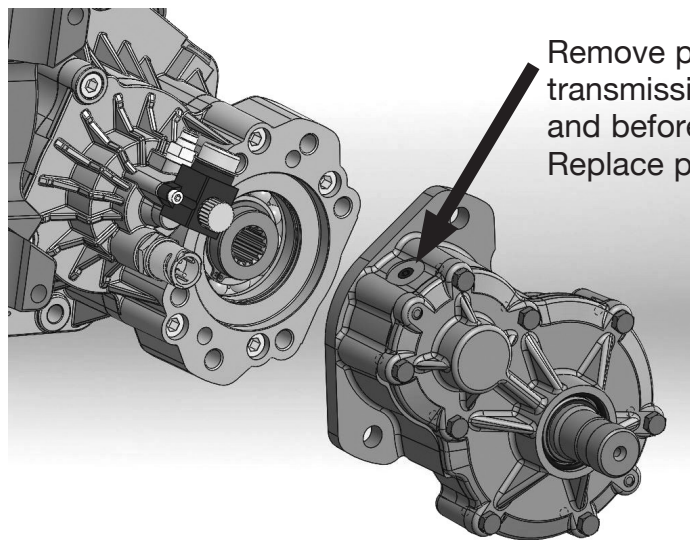
The GB1 series gear box is an add-on component for PTOs with an SAE-B (GB1B) or SAE-BB (GB1P) mounting.

Remove the output shaft seal on PTOs with a seal. The RS6S-P89M series PTO has a snap ring installed on top of the seal. Remove this snap ring first.



Lubricate the O-Ring on the GB1* gearbox with transmission oil and mount the gearbox to the PTO using the two mounting capscrews and lock washers provided.

Additional lubrication lines are not required.



Remove plug and fill gearbox with transmission fluid after installation and before operating the PTO. Replace plug before operation.