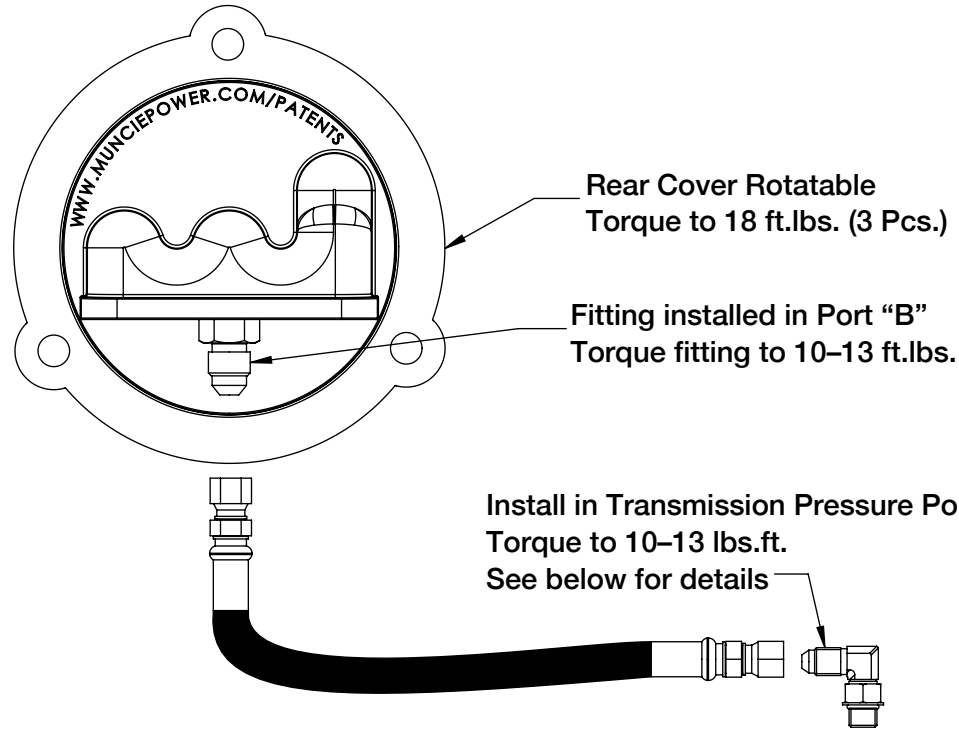


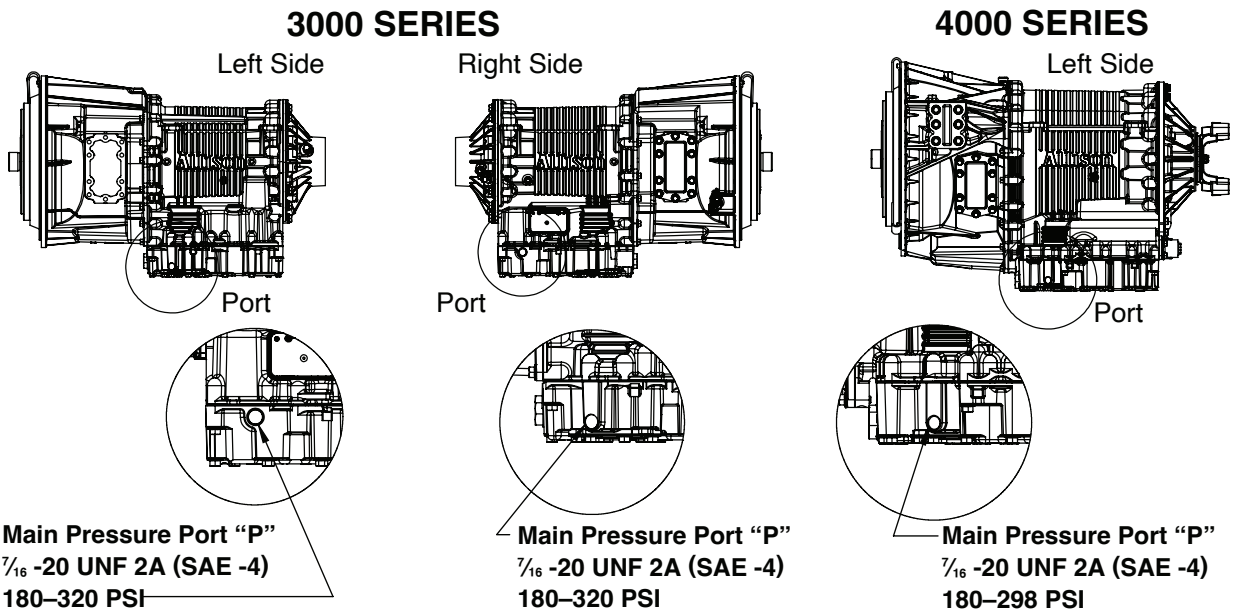


# A30 10-BOLT CONSTANT DRIVE PTO ACTIVATION Allison 3000/4000 Series Transmissions

## PTO Rear Cover



### Transmission Pressure Port Locations



A Member of the Interpump Group

IN21-09 (Rev. 03-22)

201 East Jackson Street, Muncie, Indiana 47305  
800-367-7867 • Fax: 765-284-6991 • info@munciepower.com

Specifications are subject to change without notice. Visit [www.munciepower.com](http://www.munciepower.com) for warranties and literature. All rights reserved. © Muncie Power Products, Inc. (2021)