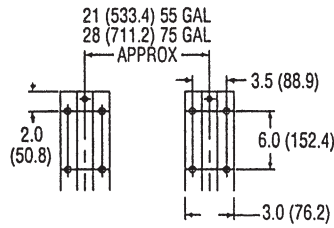




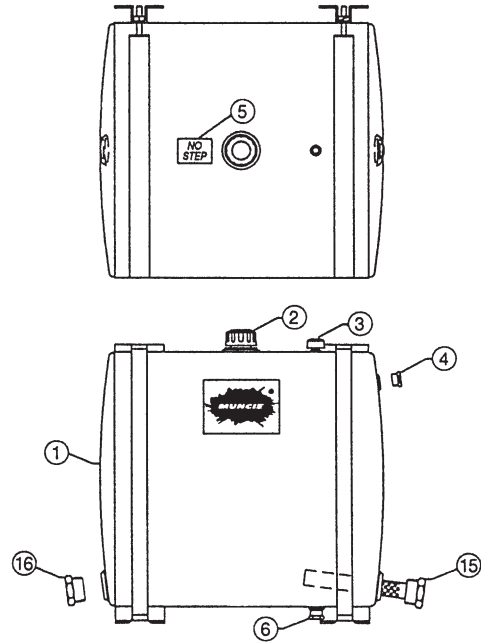
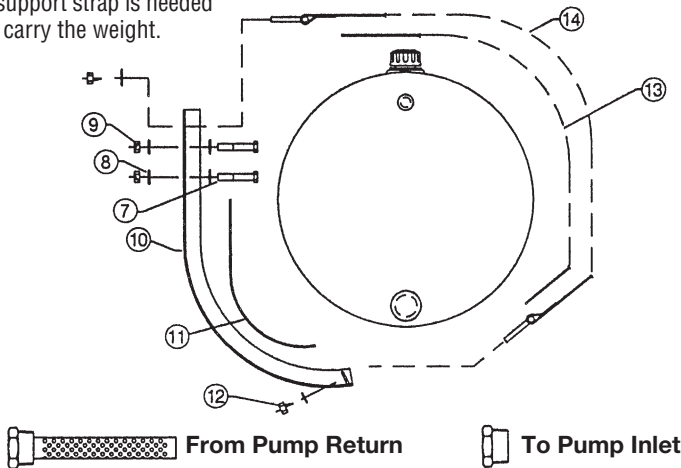
55/75 GALLON SIDE MOUNT ALUMINUM AND STEEL INSTALLATION INSTRUCTIONS

Note: Drilling extra or unnecessary holes in the mounting brackets could affect its structural integrity, become weak and result in stress cracks and/or eventual bracket failure.

If a Shut Off Valve is used, a support strap is needed to carry the weight.



MOUNTING BRACKETS



Note: Maximum oil temperature is 180°F

KIT INCLUDES:

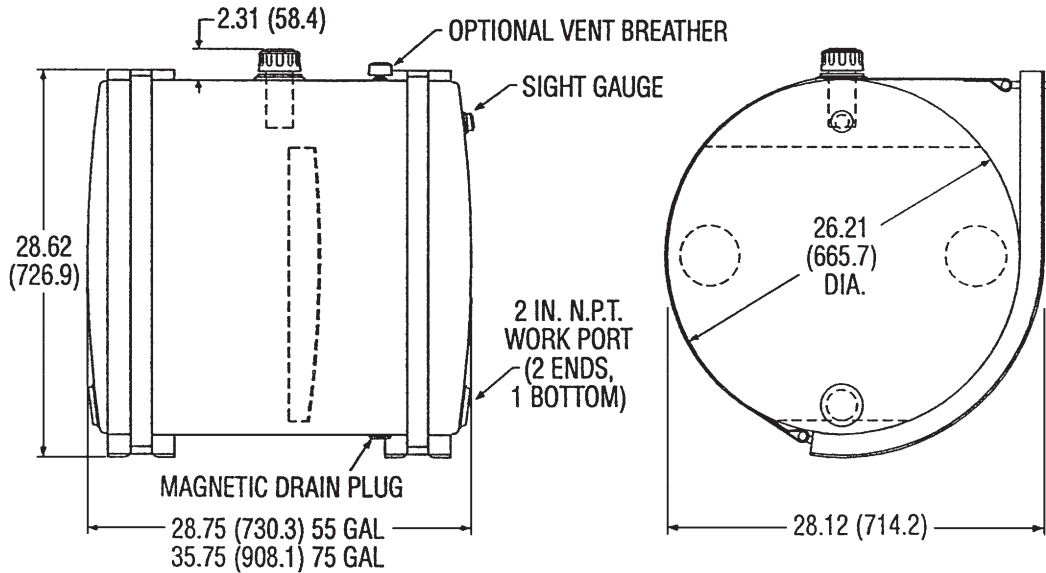
ITEM	DESCRIPTION	PART NO.	QTY.
1	Steel 55 Gal Side Res. 26" Dia.	56T36624	1
	Alum 55 Gal Side Res. 26" Dia.	56T36625	1
	Steel 75 Gal Side Res. 26" Dia.	56T36675	1
	Alum 75 Gal Side Res. 26" Dia.	56T36676	1
2	Breather Cap	BC-50	1
3	Optional Vent Breather	55T36394	1
4	Sight Glass	SG-1	1
5	No Step Decal	36T35811	1
6	Magnetic Drain Plug	55T36629	1
7	1/2 Inch Bolt	1/2-20X2GR5	8
8	1/2 Inch Flat Washer	HB1-12	20
9	1/2 Inch Hex Nut	22MX5020	8
10	J Type Mounting Bracket	58T36649	2
11	J Bracket Isolator Strip (24")	13T36651	2
12	Strap Hex Nut	22T36662	4
13	Strap Isolator Strip (44")	13T36660	2
14	Mntg. Strap-26" Res. (Black)	58T36650	2
	Mntg. Strap-26" Res. (Stainless)	58T36652	2
15	Return Line Diffuser (2-1¼)	8020590	1
	Return Line Diffuser (2-1½)	43T37610	1
16	Reducer Bushing (2-1¼)	8020591	1
	Reducer Bushing (2-1½)	43T37609	1
N.S.	Low Neck Breather Flange	56T36398	1
N.S.	Strainer Basket	56T36400	1
N.S.	Breather Flange Gasket	13T36399	2
N.S.	10-32 Screws w/O-ring	19T36674	6

PROCEDURE (Reservoir Assembly):

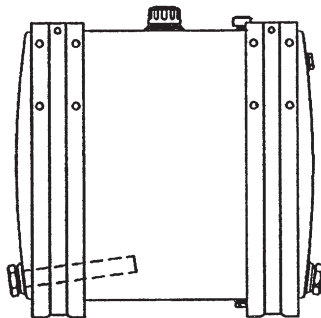
- Find appropriate area on frame rail for desired mounting. Reservoir length is 29 (36 for 75 Gal.) inches, plus clearance for hoses, fittings, and other items.
- Using the bracket mounting dimensions or the 1st J bracket as a pattern, locate and make holes for drilling. Bracket should be flush with top of frame.
- Using the 1/2 inch bolts, nuts, and washers, mount brackets to the frame.
- Wipe off J bracket surface where reservoir will sit. Pull backing loose about 3 inches. Start applying the adhesive side of the strip at the tip of the J bracket and work your way to the top of the bracket removing the backing as you go along. Press the strip down tight on the J bracket.
- Install the rubber isolator strips onto back side of the straps.
- Set the reservoir onto the brackets. Install the straps onto the reservoir and place the bolt into the appropriate hole. Install the 1/2 inch nuts and tighten until straps are snug and lay flat all around reservoir surface. Do not over tighten.
- Install the reducer bushing and return line diffuser into the work ports. A thread sealant is recommended (Do not use Teflon tape). The reducer bushing and diffuser can be fitted into either port for ease of installation but must be properly hooked up to the pump.
- Install the magnetic drain plug, sight glass and optional vent breather (if purchased). A thread sealant is recommended (Do not use Teflon tape).
- Install No Step decal on the top side of the reservoir. Make sure surface is clean.

Reservoir mounting and assembly is now complete.

55/75 GALLON SIDE MOUNT OVERALL DIMENSIONS



FOR DUMP PUMP INSTALLATIONS:



1-1/4" Return Line
(Port with Diffuser)

Quick
Disconnect

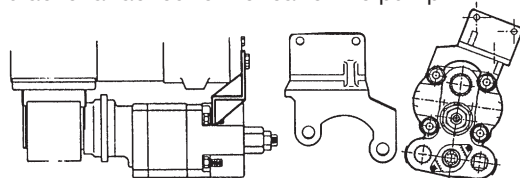
1" High
Pressure Line

1-1/4" Inlet Line

Route all hoses and
lines away from exhaust,
shield if nec-
essary.

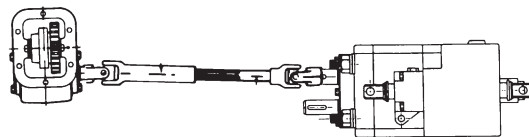
DIRECT MOUNT

This pump should be supported with a strap or bracket attached to the rear of the pump.



REMOTE MOUNT

PTO shaft and accessory shaft must be parallel to 1-1/2°. Drive line yokes must be in phase. Drive line angle not to exceed 6-1/2°.



IN96-02 (Rev. 10-05) Printed in the U.S.A.
© Muncie Power Products, Inc. 2005

Muncie Power Products, Inc. Member of the Interpump Hydraulics Group
General Offices and Distribution Center • P.O. Box 548 • Muncie, IN 47308-0548
(765) 284-7721 • FAX (765) 284-6991 • E-mail info@munciepower.com
Web site <http://www.munciepower.com>

Drive Products, Exclusive Agents for Canada, ISO Certified by an Accredited Registrar