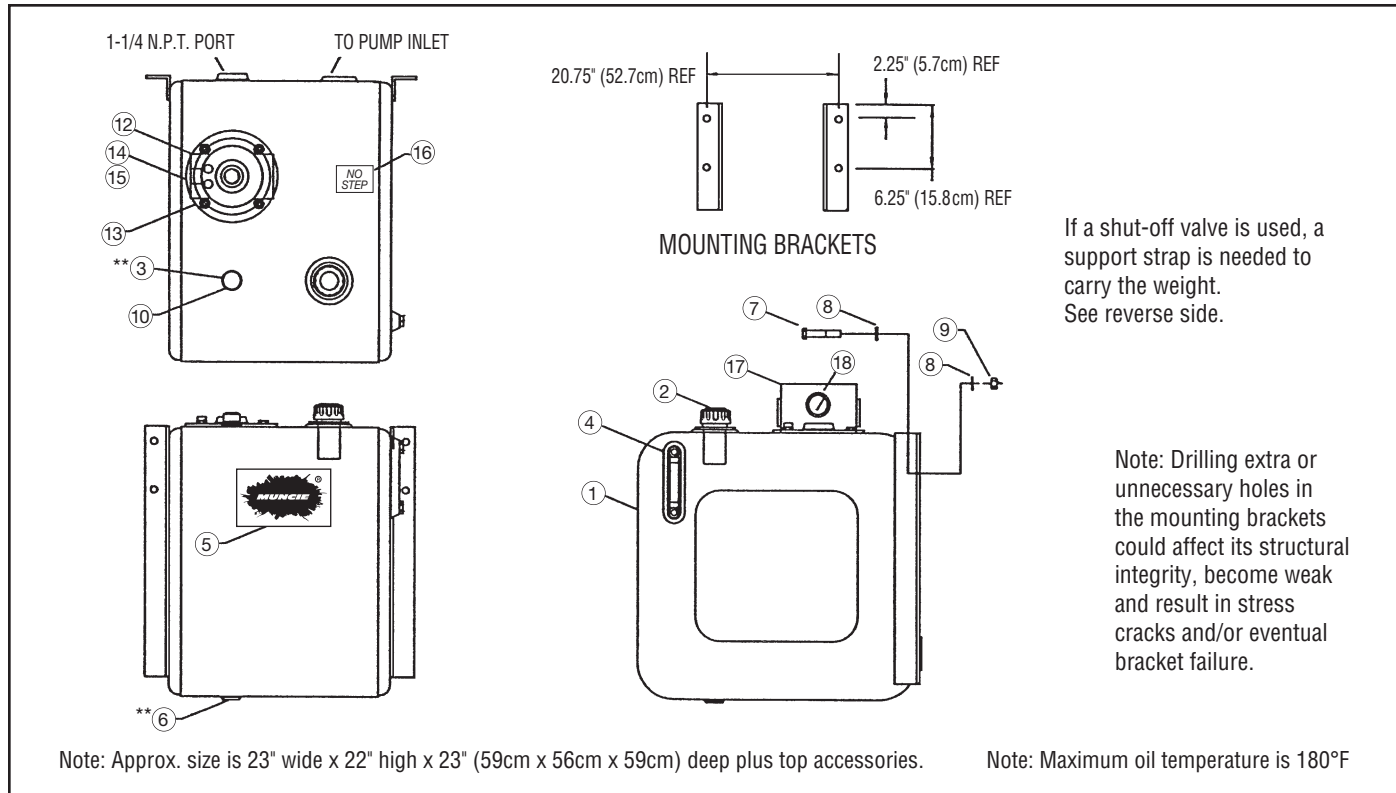




# 35 GALLON SIDE MOUNT STEEL RESERVOIR INSTALLATION INSTRUCTIONS



Note: Approx. size is 23" wide x 22" high x 23" (59cm x 56cm x 59cm) deep plus top accessories.

Note: Maximum oil temperature is 180°F

If a shut-off valve is used, a support strap is needed to carry the weight. See reverse side.

Note: Drilling extra or unnecessary holes in the mounting brackets could affect its structural integrity, become weak and result in stress cracks and/or eventual bracket failure.

## KIT INCLUDES:

ITEM	DESCRIPTION	PART NO.	QTY.	ITEM	DESCRIPTION	PART NO.	QTY.
1	Steel 35 Gallon Side Mount	56T36942	1	N.S.	Breather Flange Gasket	13T36399	2
2	Breather Cap	BC-50	1	N.S.	10-32 Screws With O-Ring	19T36674	6
3	Optional Vent Breather	55T36394**	1*	N.S.	Hot/Low Oil Sensor	30T35899	1*
4	Sight Glass Assy. (5 Inch)	31T36377	1	N.S.	Cold Oil Sensor	30T35897	1*
5	Decal	36T36661	1	N.S.	1/4 Inch Six Inch Pipe Nipple	MP-MP-4-4BP	2*
6	Magnetic Drain Plug	55T36629**	1	N.S.	1/4 Inch Pipe Coupling	FP-FP-4-4BP	2*
7	1/2 Inch Bolt	1/2-20X2GR5	4	N.S.	Hot Oil Sensor	T-23-4A-179	1*
8	1/2 Inch Flat Washer	HB1-12	8	N.S.	Strain Relief	13T36638	2*
9	1/2 Inch Hex Nut	22MX5020	4				
10	3/4 Inch Pipe Plug (Std)	HHPP-12Z	1				
	Bushing For Sensors	43T36964	1*				
12	Return Port Gasket	13T36659	1				
13	Return Port/Filter Mntg Bolts	19M10002	4				
14	Standard Return Port	B1559	1*				
	Return Port With Acc. Ports	B1559A	1*				
	Cover Plate	16T36961	1				
15	Diffuser	B1560	1*				
	Diffuser With Defl. Shield	B1560A	1*				
16	No Step Decal	36T35811	2				
17	Return Filter Assembly	TRLF-501	1				
	Filter Replacement Element	TRE-501	1				
18	Return Filter Gauge	FG-4	1				
N.S.	Low Neck Breather Flange	56T36398	1				
N.S.	Strainer Basket	56T36400	1				

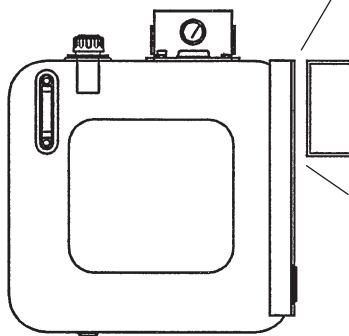
\* Parts are optional      \*\* Torque to 35 ft.lbs.

## PROCEDURE:

1. Find appropriate area on frame rail for desired mounting. Reservoir width is approximately 23 inches (59cm).
  2. Using the bracket mounting dimensions or the 1st bracket as a pattern, locate and make holes for drilling. Bracket should be flush with top of frame or higher.
  3. Using the 1/2 inch bolts, nuts, and washers, mount brackets to the frame.
  4. Install No Step decal on the top side of the reservoir. Make sure surface is clean.
  5. Install the magnetic drain plug, sensors, and optional vent breather (if purchased). A thread sealant is recommended (Do not use Teflon tape).
  6. See opposite side for additional tips to proceed with routing hoses and fittings.
- Reservoir mounting and assembly is now complete.

## MOUNTING RECOMMENDATIONS

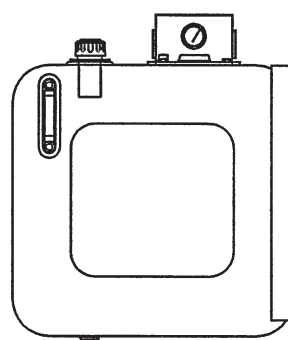
### TYPICAL MOUNTING



MOUNT TOP OF BRACKET FLUSH WITH FRAME TOP OR HIGHER.

BRACKETS NEED TO BE MOUNTED DIRECTLY AGAINST FRAME FOR PROPER SUPPORT AND STRENGTH.

### ALTERNATIVE MOUNTING

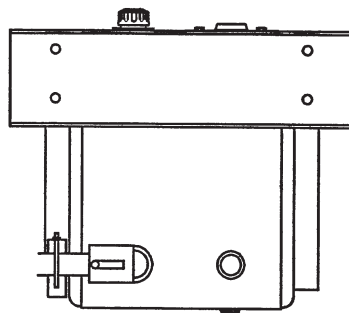
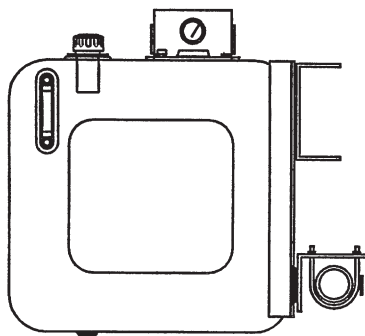


CORRECT

WRONG

IF BRACKETS NEED TO BE EXTENDED AWAY FROM THE FRAME FOR CLEARANCE, USE CHANNEL AND AN EXTRA PLATE FOR SUPPORT. DO NOT EXTEND BRACKETS OUT WITH PIECES OF PIPE OR TUBING AND LONG BOLTS.

## SHUT OFF VALVES



IF A SHUT OFF VALVE IS USED A SUPPORT STRAP IS NEEDED TO CARRY THE WEIGHT. THE CONCEPT SHOWN CAN BE MODIFIED FOR YOUR SPECIFIC NEEDS.

## MISCELLANEOUS

### Warning System

Hot, cold, or low oil sensors are available as an option. These systems activate a dash mounted indicator light to signal a potential problem. Sensors can be mixed in any fashion. Some dash mounted indicator light kits are not currently available.

### Filtration System

All hydraulic systems are extremely dirty upon initial assembly. It is recommended the filter element be changed after the first week of service and again in 90 days. Normal service is adequate after that.



IN96-03 (Rev. 2-10) Printed in the U.S.A.  
© Muncie Power Products, Inc. 2010

**Muncie Power Products, Inc.** Member of the Interpump Hydraulics Group  
General Offices and Distribution Center • P.O. Box 548 • Muncie, IN 47308-0548  
(765) 284-7721 • FAX (765) 284-6991 • E-mail info@munciepower.com  
Web site <http://www.munciepower.com>

Drive Products, Exclusive Agents for Canada, ISO Certified by an Accredited Registrar