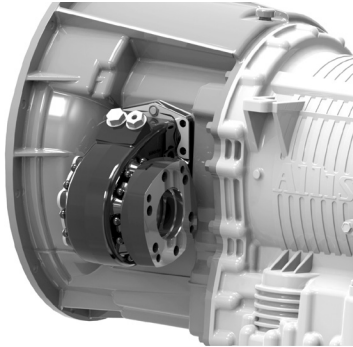


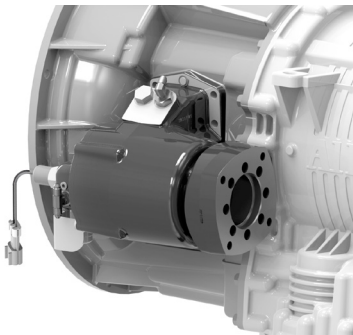


# SHAFT EXTENSIONS

## BY TRANSMISSION APPLICATION



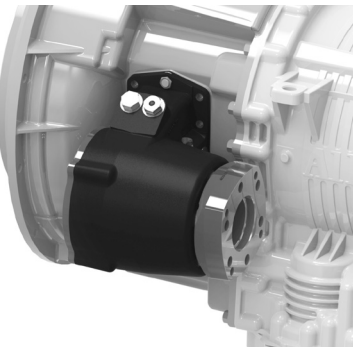
**CD10 Series with "V" output**



**CD24 Series with "V" output**



**CS10 Series with "V" output**



**CS41 Series with "V" output**

TRANSMISSION	SIDE	PTO	QR APPL.	OUTPUT	PART NUMBER	NEW PTO	WET SPLINE PART NUMBER
**Allison 3000 TM	Left Side	CS24 "I"	ALLI-10	SAE-B	49TA4841A	--	--
Allison 3000	Left Side	CD10 "Z"	ALLI-5	SAE-B	49TA4125A	<b>CD10 "V"</b>	<b>49TA5433A</b>
Allison 3000	Left Side	CD10 "Z"	ALLI-5	*SAE-B-B	49TA4126A	<b>CD10 "V"</b>	<b>49TA5432A</b>
Allison 3000	Left Side	CD10 "Z"	ALLI-5	SAE-C	49TA4127A	--	--
Allison 3000	Left Side	CD10 "Z"	ALLI-5	DIN-5462	49TA4128A	<b>CD10 "V"</b>	<b>49TA5434A</b>
Allison 3000	Left Side	CD10 "Z"	ALLI-5	*SAE-B-C	49TA4450A	<b>CD10 "V"</b>	<b>49TA5435A</b>
Allison 3000	Left Side	CD10 "Z"	ALLI-5	*SAE-C 2&4	49TA4999A	<b>CD10 "V"</b>	<b>49TA5436A</b>
Allison 3000	Left Side	CS10 "Z"	ALLI-5	*SAE-B-B	49TA4495A	<b>CS10 "V"</b>	<b>49TA5448A</b>
Allison 3000	Left Side	CS10 "Z"	ALLI-5	SAE-C	49TA4506A	--	--
Allison 3000	Left Side	CS10 "Z"	ALLI-5	*SAE-C 2&4	49TA4837A	<b>CS10 "V"</b>	<b>49TA5449A</b>
Allison 3000	Left Side	CS24 "I"	ALLI-5	SAE-B	49TA4692A	<b>CS24 "V"</b>	<b>49TA5419A</b>
Allison 3000	Left Side	CS24 "I"	ALLI-5	*SAE-B-B	49TA4698A	<b>CS24 "V"</b>	<b>49TA5420A</b>
Allison 3000	Left Side	CS24 "I"	ALLI-5	SAE-C	49TA4788A	--	--
Allison 3000	Left Side	CS24 "I"	ALLI-5	*SAE-B-C	49TA4838A	<b>CS24 "V"</b>	<b>49TA5422A</b>
Allison 3000	Left Side	CS24 "I"	ALLI-5	DIN-5462	49TA4896A	<b>CS24 "V"</b>	<b>49TA5423A</b>
Allison 3000	Left Side	CS24 "I"	ALLI-5	*SAE-C 2&4	49TA5001A	<b>CS24 "V"</b>	<b>49TA5424A</b>
Allison 3000	Right Side	CD10 "Z"	ALLI-5	SAE-C	49TA4133A	--	--
Allison 3000	Right Side	CD10 "Z"	ALLI-5	*SAE-B-B	49TA4134A	<b>CD10 "V"</b>	<b>49TA5439A</b>
Allison 3000	Right Side	CD10 "Z"	ALLI-5	SAE-B	49TA4135A	<b>CD10 "V"</b>	<b>49TA5438A</b>
Allison 3000	Right Side	CD10 "Z"	ALLI-5	DIN-5462	49TA4137A	<b>CD10 "V"</b>	<b>49TA5440A</b>
Allison 3000	Right Side	CD10 "Z"	ALLI-5	*SAE-B-C	49TA4451A	<b>CD10 "V"</b>	<b>49TA5441A</b>
Allison 3000	Right Side	CD10 "Z"	ALLI-5	*SAE-C 2&4	49TA5000A	<b>CD10 "V"</b>	<b>49TA5442A</b>
Allison 3000	Right Side	CS24 "I"	ALLI-5	SAE-B	49TA4694A	<b>CS24 "V"</b>	<b>49TA5425A</b>
Allison 3000	Right Side	CS24 "I"	ALLI-5	*SAE-B-B	49TA4699A	<b>CS24 "V"</b>	<b>49TA5426A</b>
Allison 3000	Right Side	CS24 "I"	ALLI-5	SAE-C	49TA4789A	--	--
Allison 3000	Right Side	CS24 "I"	ALLI-5	*SAE-B-C	49TA4839A	<b>CS24 "V"</b>	<b>49TA5428A</b>
Allison 3000	Right Side	CS24 "I"	ALLI-5	DIN-5462	49TA4897A	<b>CS24 "V"</b>	<b>49TA5429A</b>
Allison 3000	Right Side	CS24 "I"	ALLI-5	*SAE-C 2&4	49TA5002A	<b>CS24 "V"</b>	<b>49TA5430A</b>
Allison 4000	Left Side	CD10 "Z"	ALLI-6	*SAE-B-B	49TA4129A	<b>CD10 "V"</b>	<b>49TA5398A</b>
Allison 4000	Left Side	CD10 "Z"	ALLI-6	SAE-C	49TA4130A	<b>CD10 "V"</b>	--
Allison 4000	Left Side	CD10 "Z"	ALLI-6	DIN-5462	49TA4131A	<b>CD10 "V"</b>	<b>49TA5397A</b>
Allison 4000	Left Side	CD10 "Z"	ALLI-6	SAE-B	49TA4132A	<b>CD10 "V"</b>	<b>49TA5396A</b>
Allison 4000	Left Side	CD10 "Z"	ALLI-6	*SAE-B-C	49TA4432A	<b>CD10 "V"</b>	<b>49TA5399A</b>
Allison 4000	Left Side	CD10 "Z"	ALLI-6	*SAE-C 2&4	49TA4941A	<b>CD10 "V"</b>	<b>49TA5400A</b>
Allison 4000	Left Side	CS24 "I"	ALLI-6	SAE-B	49TA4833A	<b>CS24 "V"</b>	<b>49TA5408A</b>
Allison 4000	Left Side	CS24 "I"	ALLI-6	*SAE-B-B	49TA4834A	<b>CS24 "V"</b>	<b>49TA5409A</b>
Allison 4000	Left Side	CS24 "I"	ALLI-6	SAE-C	49TA4835A	<b>CS24 "V"</b>	--
Allison 4000	Left Side	CS24 "I"	ALLI-6	*SAE-B-C	49TA4840A	<b>CS24 "V"</b>	<b>49TA5411A</b>
Allison 4000	Left Side	CS24 "I"	ALLI-6	DIN-5462	49TA4898A	<b>CS24 "V"</b>	<b>49TA5412A</b>
Allison 4000	Left Side	CS24 "I"	ALLI-6	*SAE-C 2&4	49TA5003A	<b>CS24 "V"</b>	<b>49TA5413A</b>
Allison 4000	Left Side	CS41 "Z"	ALLI-6	SAE-C	49TA4877A	--	--
Allison 4000	Left Side	CS41 "Z"	ALLI-6	DIN-5462	49TA4880A	<b>CS41 "V"</b>	<b>49TA5445A</b>
Allison 4000	Left Side	CS41 "Z"	ALLI-6	*SAE-B-C	49TA4881A	<b>CS41 "V"</b>	<b>49TA5446A</b>
Allison 4000	Left Side	CS41 "Z"	ALLI-6	*SAE-C 2&4	49TA5004A	<b>CS41 "V"</b>	<b>49TA5447A</b>

\* SAE-B-B -"SAE B Flange with SAE B-B Shaft", MUNCIE "P" • SAE-B-C -"SAE B Flange with SAE C Shaft", MUNCIE "Z" SAE-C 2 & 4 -"SAE C Flange with 2 & 4 Bolt Mount", MUNCIE "E"

\*\* Allison 3000 TM - "Special Top Mount PTO Location"

# All models: Shaft Extensions not currently available for retarder options or rear mounted coolers. Transmissions must have rear support installed as supplied by vehicle manufacturer. 3700/4700/4800 Allison models: Shaft Extensions are not currently available.