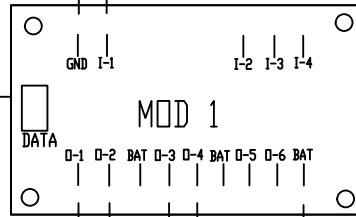


SWITCH PANEL



IGNITION SOURCE

HARNESS TO 4 BUTTON PANEL



INPUTS	OUTPUTS	WIRE COLOR
(I-1) - IGN	(O-1)-HOIST UP-(M)	BLUE
(I-2) - N/A	(O-2)-HOIST DOWN (M)	ORANGE
(I-3) - N/A	(O-3)-AUX #1 (L)	N/A
(I-4) - N/A	(O-4)-AUX #2 (L)	N/A
	(O-5)-UNUSED	N/A
	(O-6)-UNUSED	N/A

MESP303WH2A

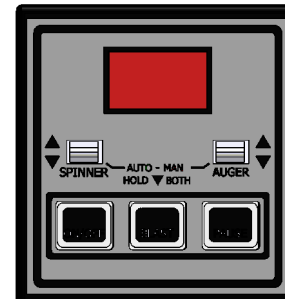
BLUE

ORANGE

MESP303WH3A

CONSTANT 12V+
NOTE: IF CONNECTING AT BATTERY USE 20A FUSE CLOSEST TO SOURCE

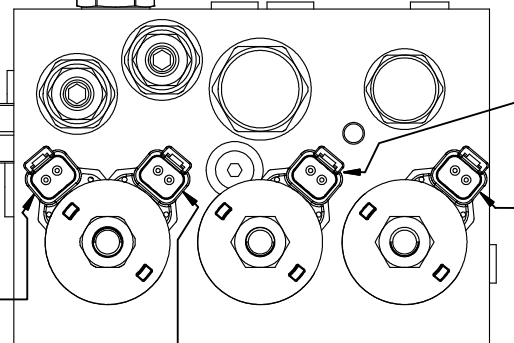
MESP300A



34T42797

120" RED = 12VDC IGNITION
120" BLACK = GROUND
120" WHITE = SPEEDD
240" GREEN
240" YELLOW

HOIST UP
BOTTOM COIL



HOIST DOWN
TOP COIL

SOLDER JOINT

10" 16 GA BLACK

GROUND

AUGER
BLACK
YELLOW

SPINNER
BLACK
GREEN

120" BLACK
GROUND

MESP303WH1A

