

HIGH EFFICIENCY MOTORS FOR SPREADER APPLICATIONS



MB050 LSHT MOTORS



These motors are built for high quality performance backed by unmatched customer support.

MB Series

Low Speed

High Torque Motors

- Gerotor set provides high efficiency and long life
- Low port profile is suitable for applications with limited space
- Spool valve design offers smooth operation over a wide range of speeds and torques
- Available in $\frac{7}{8}$ " O-Ring ports, or $\frac{1}{2}$ " NPT ports



Muncie[®]
Power
Products

1-800-367-7867

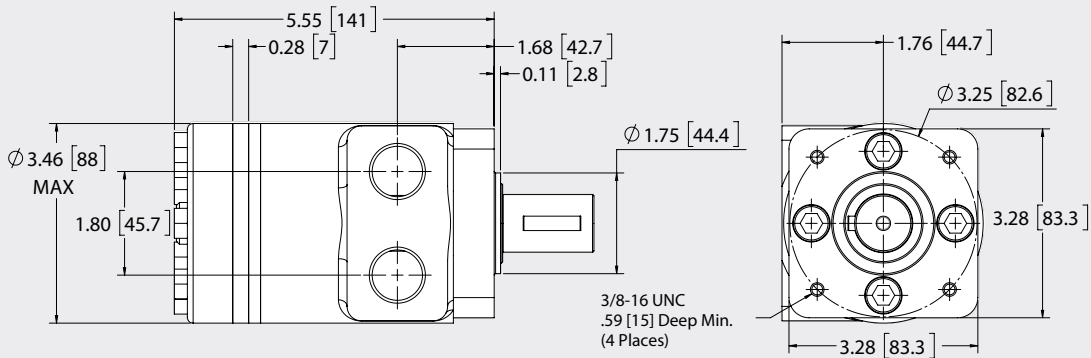
PART NUMBERS

PART NUMBERS	DISP. (CC)	SHAFT	FLANGE	PORTS
MB050-01UFM-01XBB	50	1.000" Straight Shaft	4-Bolt Square	7/8" O-Ring
MB050-01UBN-01XBB	50	1.000" Straight Shaft	4-Bolt Square	1/2" NPT

SPECIFICATIONS

MODEL NUMBER	SPEED	TORQUE		FLOW		PRESSURE	
	RPM	in.lbs.	Nm	GPM	LPM	PSI	BAR
MB050	1,150	885	100	15.8	60	2,030	14.0

DIMENSIONS



Shafts
"01":

