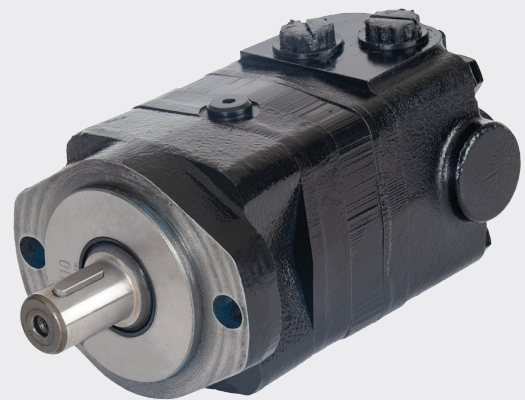


HIGH EFFICIENCY MOTORS FOR PRODUCT PUMP APPLICATIONS



MJ100 LSHT MOTORS



These motors are built for high quality performance and backed by unmatched customer support.

MJ Series

Low Speed

High Torque Motors

- Roller gerotor design for smooth performance, efficiency, and durability
- Tapered roller bearings for extra side load capacity
- Standard case drain with integral internal drain for extended life
- Disc valve for higher flows and higher pressure
- The MJ100 is available in $\frac{7}{8}$ " and $1\frac{1}{16}$ " O-Ring ports



Muncie[®]
Power
Products

1-800-367-7867

PART NUMBERS*

PART NUMBERS	DISP (CC)	SHAFT	FLANGE	PORTS
MJ100-01AFM-01XBB	100	1.000" Straight Shaft	2-Bolt, SAE A	7/8" O-Ring
MJ100-01AFX-01XBB**	100	1.000" Straight Shaft	2-Bolt, SAE A	1 1/16" O-Ring
MJ100-07AFM-01XBB	100	1.250" Straight Shaft	2-Bolt, SAE A	7/8" O-Ring
MJ100-07AFX-01XBB**	100	1.250" Straight Shaft	2-Bolt, SAE A	1 1/16" O-Ring

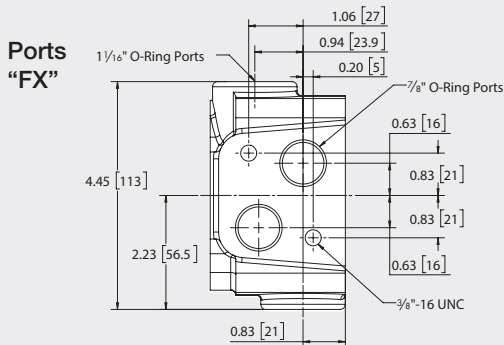
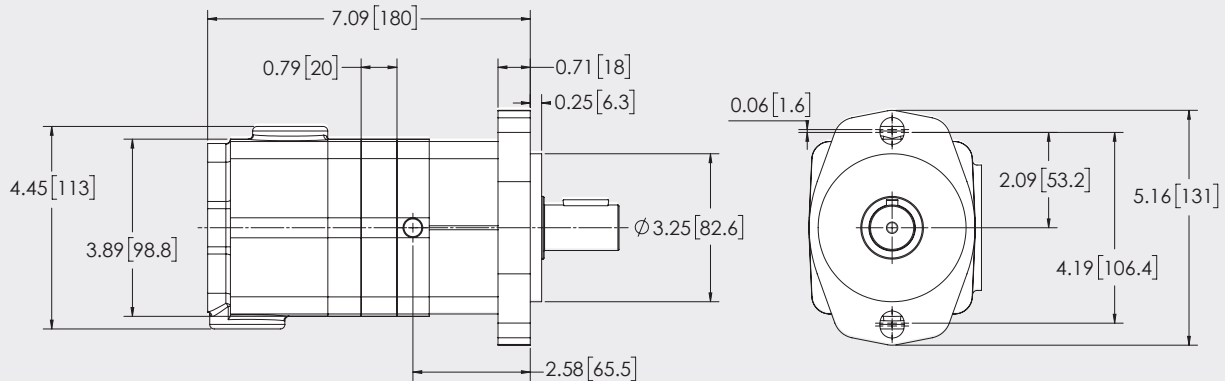
*Available Part Numbers are standard inventory. Other configurations are available. Contact Customer Service for more information.

**FX Port option includes 1 1/16" O-Ring Ports and 7/8" O-Ring Ports.

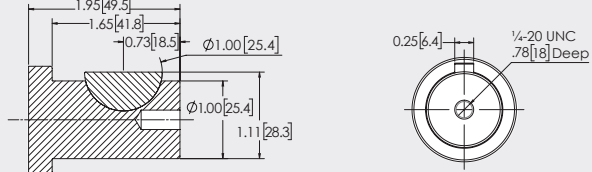
SPECIFICATIONS

MODEL NUMBER	SPEED	TORQUE		FLOW		PRESSURE	
	RPM	in.lbs.	Nm	GPM	LPM	PSI	BAR
MJ100	750	2,566	290	19.8	75	2,975	205

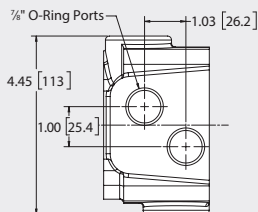
DIMENSIONS



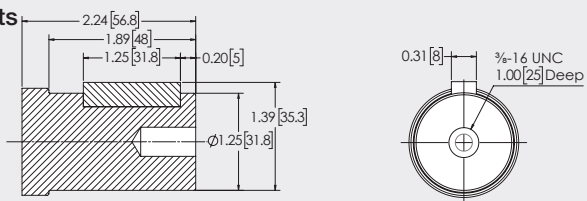
Shafts "01"



Ports "FM"



Shafts "07"



**Muncie®
Power
Products**

A Member of the Interpump Group
MI19-31 (Rev. 08-20)

201 East Jackson Street • Muncie, Indiana 47305
800-367-7867 • Fax 765-284-6991 • info@munciepower.com • www.munciepower.com

Specifications are subject to change without notice. Visit www.munciepower.com for warranties and literature. All rights reserved. © Muncie Power Products, Inc. (2020)