

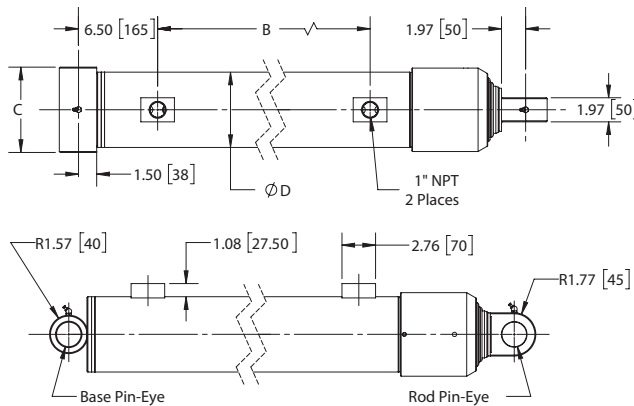
SPECIAL ORDER CYLINDERS

SINGLE-ACTING TELESCOPIC PIN-PIN

PIN-PIN AVAILABLE MODELS (ENGLISH MEASUREMENTS: in., gal., lbs.)

Model No.	Available Design Codes	Stroke Length (in.)	A = Closed / Open Length (in.)	B = Port to Port (in.)	C = Base Pin Width (in.)	D = Tube OD (in.)	Stage Diameter (in.) 1 / 2 / 3 / 4 / 5	Gallons to Extend	Cylinder Weight (lbs.)
5-3-084-A07	07	85.91	39.57 / 125.48	20.3	7.00	5.39	4.57 / 3.86 / 3.11	4.40	179
6-3-110-A07	07	109.61	49.76 / 159.37	30.8	7.00	6.18	5.31 / 4.57 / 3.86	7.93	278
6-3-120-A07	07	118.35	52.48 / 170.83	33.5	7.00	6.18	5.31 / 4.57 / 3.86	8.55	280
6-3-126-A03	03	126.02	54.96 / 180.98	36.0	7.00	6.18	5.31 / 4.57 / 3.86	9.18	300
7-4-135-A**	01, 06, 07	135.67	47.67 / 183.43	27.6	8.23	6.93	6.06 / 5.31 / 4.57 / 3.86	11.49	330
7-4-156-A**	01, 06	157.68	52.91 / 210.59	33.5	8.23	6.93	6.06 / 5.31 / 4.57 / 3.86	13.43	365
7-4-167-A**	01, 02, 06	167.01	55.39 / 222.40	36.5	8.23	6.93	6.06 / 5.31 / 4.57 / 3.86	14.44	374
7-4-180-A**	00, 06	180.00	56.69 / 236.69	40.4	8.23	6.93	6.06 / 5.31 / 4.57 / 3.86	15.40	408
8-4-170-A06	06	168.98	56.65 / 225.63	36.7	9.49	7.87	6.85 / 6.06 / 5.31 / 4.57	19.15	467
8-5-190-A06	06	188.98	53.98 / 242.96	32.1	9.49	7.87	6.85 / 6.06 / 5.31 / 4.57 / 3.86	18.70	464
8-5-220-A06	06	219.92	59.88 / 279.80	39.1	9.49	7.87	6.85 / 6.06 / 5.31 / 4.57 / 3.86	21.74	531
8-5-235-A06	06	235.00	64.53 / 299.53	44.9	9.49	7.87	6.85 / 6.06 / 5.31 / 4.57 / 3.86	23.34	584
8-5-250-A06	06	246.89	68.35 / 315.24	44.9	9.49	7.87	6.85 / 6.06 / 5.31 / 4.57 / 3.86	24.53	588
8-5-265-A06	06	265.83	69.72 / 335.55	48.7	9.49	7.87	6.85 / 6.06 / 5.31 / 4.57 / 3.86	26.35	620
9-5-220-A01	01	221.00	60.24 / 281.24	40.1	10.67	9.92	8.72 / 7.72 / 6.85 / 6.06 / 5.31	37.10	671

Note: All cylinders MAX pressure: 2,750 PSI due to NPT ports (rated MAX pressure 2,900 PSI)



Design Code	Base Pin-Eye	Rod Pin-Eye
A00	Ø 2.010" (5.1 cm)	Ø 2.010" (5.1 cm)
A01	Ø 2.125" (5.4 cm)	Ø 2.063" (5.2 cm)
A02	Ø 2.063" (5.2 cm)	Ø 2.063" (5.2 cm)
A03	Ø 2.125" (5.4 cm)	Ø 2.125" (5.4 cm)
A06	Ø 2.063" (5.2 cm)	Ø 2.010" (5.1 cm)
A07	Ø 2.125" (5.4 cm)	Ø 2.010" (5.1 cm)

PIN-PIN AVAILABLE (MODELS METRIC MEASUREMENTS: cm, L, Kgs)

Model No.	Available Design Codes	Stroke Length (cm)	A = Closed / Open Length (cm)	B = Port to Port (cm)	C = Base Pin Width (cm)	D = Tube OD (cm)	Stage Diameter (cm) 1 / 2 / 3 / 4 / 5	Liters to Extend	Cylinder Weight (kg)
5-3-084-A07	07	218.2	100.5 / 318.7	51.6	17.78	13.69	11.60 / 9.80 / 7.90	16.65	81
6-3-110-A07	07	278.4	126.4 / 404.8	78.2	17.78	15.70	13.49 / 11.60 / 9.80	30.02	126
6-3-120-A07	07	300.6	133.3 / 433.9	85.1	17.78	15.70	13.19 / 11.60 / 9.80	32.36	127
6-3-126-A03	03	320.1	139.6 / 459.7	91.4	17.78	15.70	13.49 / 11.60 / 9.80	34.74	136
7-4-135-A**	01, 06	344.6	121.3 / 465.9	70.0	20.90	17.60	15.39 / 13.49 / 11.60 / 9.80	43.49	150
7-4-156-A**	01, 06	400.5	134.4 / 534.9	85.0	20.90	17.60	15.39 / 13.49 / 11.60 / 9.80	50.83	166
7-4-167-A**	01, 02, 06	424.2	140.7 / 564.9	92.6	20.90	17.60	15.39 / 13.49 / 11.60 / 9.80	54.65	170
7-4-180-A**	00, 06	457.2	151.6 / 608.8	151.6	20.90	17.60	15.39 / 13.49 / 11.60 / 9.80	58.30	185
8-4-170-A06	06	429.2	143.9 / 573.1	93.1	24.10	19.99	17.40 / 15.39 / 13.49 / 11.60	72.50	212
8-5-190-A06	06	480.0	137.1 / 617.1	81.6	24.10	19.99	17.40 / 15.39 / 13.49 / 11.60 / 9.80	70.78	210
8-5-220-A06	06	558.6	152.1 / 710.7	99.3	24.10	19.99	17.40 / 15.39 / 13.49 / 11.60 / 9.80	82.28	241
8-5-235-A06	06	596.9	163.9 / 760.8	114.1	24.10	19.99	17.40 / 15.39 / 13.49 / 11.60 / 9.80	88.34	265
8-5-250-A06	06	627.1	173.6 / 800.7	114.1	24.10	19.99	17.40 / 15.39 / 13.49 / 11.60 / 9.80	92.85	267
8-5-265-A06	06	675.2	177.1 / 852.3	123.8	24.10	19.99	17.40 / 15.39 / 13.49 / 11.60 / 9.80	99.73	281
9-5-220-A01	01	561.3	153.0 / 714.3	101.9	27.10	25.20	22.20 / 19.60 / 17.40 / 15.39 / 13.49	140.40	305

Note: All cylinders MAX pressure: 189.7 BAR due to NPT ports (rated MAX pressure 200 BAR)

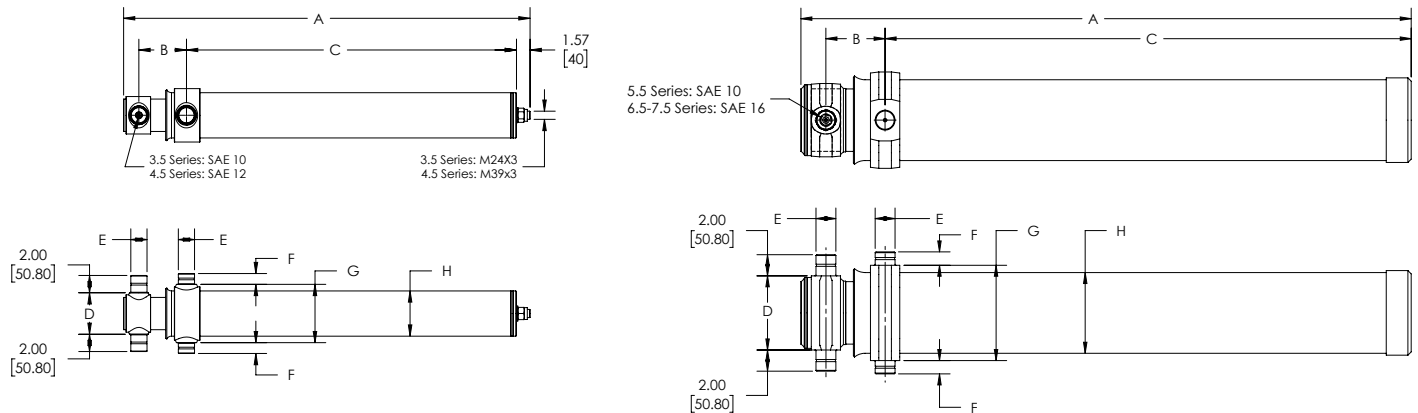
SPECIAL ORDER CYLINDERS

SINGLE-ACTING TELESCOPIC TRUNNION

TRUNNION AVAILABLE MODELS (ENGLISH MEASUREMENTS: in., gal., lbs.)

Model No.	Stroke Length (in.)	A	B	C	D	E	F	G	H	Stage Diameter (in.) 1 / 2 / 3 / 4	FILL/EXTEND (GAL)	Cylinder Weight (lbs.)
3.5-3-082-B00	82	36.8	5.5	28.0	4.80	1.87	1.26	6.75	5.24	2.95 / 2.36 / 1.17	0.29 / 1.6	128
3.5-3-110-B00	111	47.1	5.5	38.2	4.80	1.87	1.26	6.75	5.24	2.95 / 2.36 / 1.17	0.36 / 2.2	161
4.5-3-110-B00	111	47.0	5.5	38.2	5.75	1.87	1.26	8.03	6.26	3.54 / 2.95 / 2.36	0.48 / 3.3	225
4.5-3-120-B00	120	50.0	5.4	41.2	5.75	1.87	1.26	8.03	6.26	3.54 / 2.95 / 2.36	0.51 / 3.6	238
5.5-3-121-B00	121	52.9	5.6	44.9	6.99	1.87	1.26	9.00	7.60	5.08 / 4.37 / 3.74	0.79 / 8.1	319
7.5-4-182-B00	182	61.1	8.8	49.7	9.02	2.24	1.50	12.80	9.63	6.65 / 5.87 / 5.08 / 4.37	1.6 / 19.4	667

Note: MAX Pressure(s): 3.5-4.5 Series = 3,200 PSI (220 BAR), 5.5-7.5 Series = 2,900 PSI (200 BAR)



TRUNNION AVAILABLE (MODELS METRIC MEASUREMENTS: cm, L, Kgs)

Model No.	Stroke Length (cm)	A	B	C	D	E	F	G	H	Stage Diameter (cm) 1 / 2 / 3 / 4	FILL/EXTEND (L)	Cylinder Weight (Kg)
3.5-3-082-B00	208.0	93.5	14.0	71.0	12.2	4.8	3.2	17.1	13.1	7.5 / 6.0 / 4.5	1.1 / 6.1	58.1
3.5-3-110-B00	281.9	119.5	14.0	97.0	12.2	4.8	3.2	17.1	13.1	7.5 / 6.0 / 4.5	1.4 / 8.3	73.0
4.5-3-110-B00	281.9	119.5	14.0	97.0	14.6	4.8	3.2	20.4	15.9	9.0 / 7.5 / 6.0	1.8 / 12.5	102.1
4.5-3-120-B00	304.8	127.0	13.8	104.7	14.6	4.8	3.2	20.4	15.9	9.0 / 7.5 / 6.0	1.9 / 13.6	107.9
5.5-3-121-B00	307.3	134.4	14.2	114.1	17.8	4.8	3.2	22.9	19.3	12.9 / 11.1 / 9.5	3.0 / 30.5	144.7
7.5-4-182-B00	462.3	155.2	22.3	126.2	22.9	5.7	3.8	32.5	24.5	16.9 / 14.9 / 12.9 / 11.1	6.1 / 73.4	302.6

Note: MAX Pressure(s): 3.5-4.5 Series = 3,200 PSI (220 BAR), 5.5-7.5 Series = 2,900 PSI (200 BAR)

Additional Information on Pin-Pin cylinders and Trunnion Mount Cylinders can be found in the following brochures:
Pin-Pin Brochure: MP 15-04 and Trunnion Brochure: MP15-05